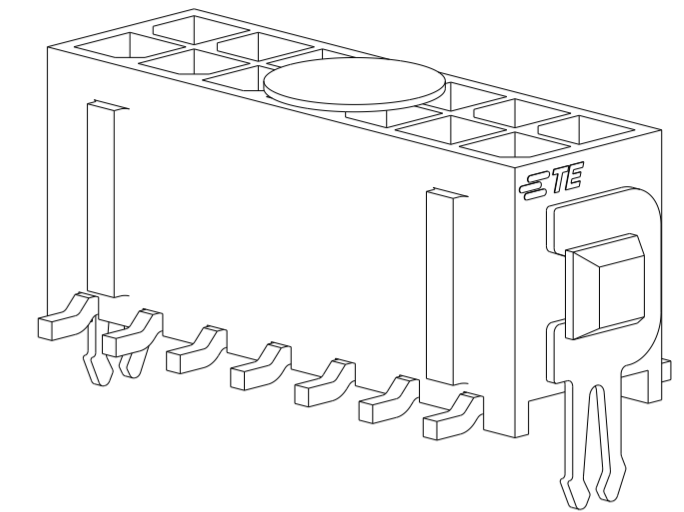
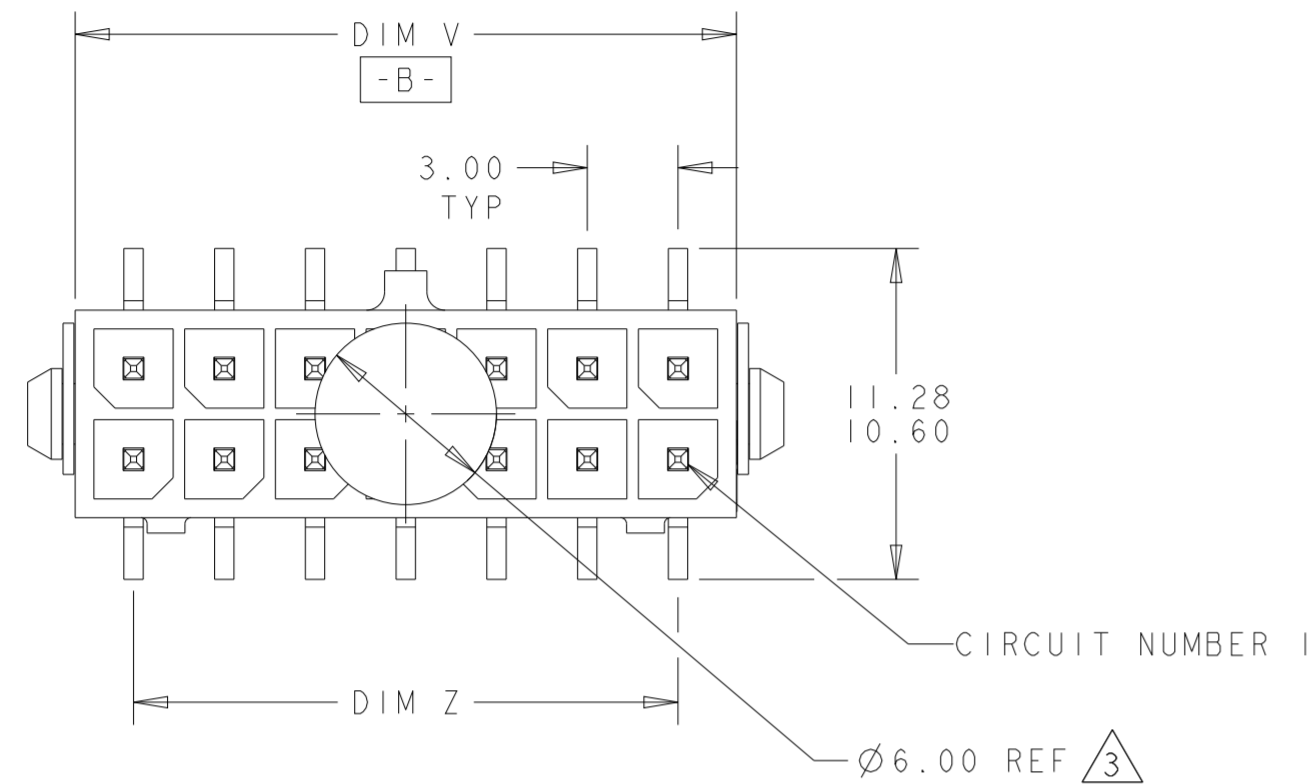
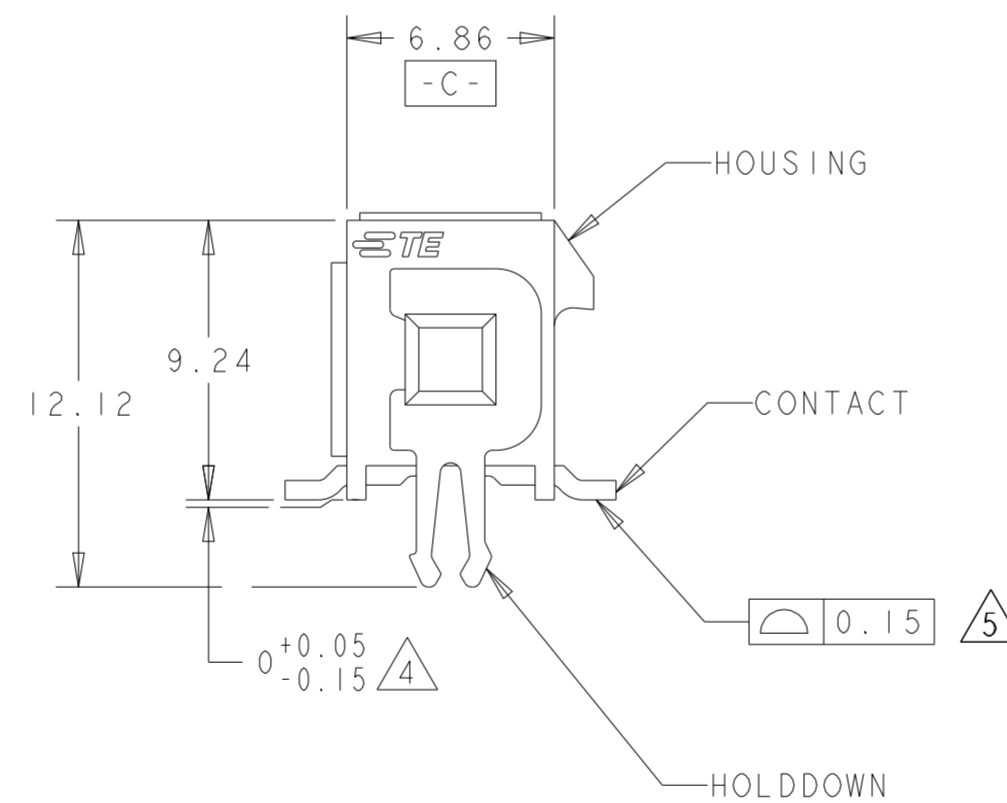
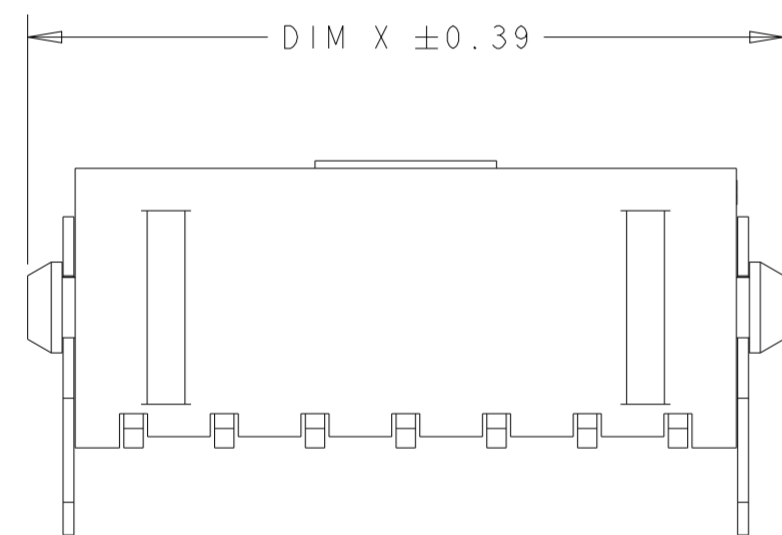


REVISIONS					
P	LTR	DESCRIPTION	DATE	DWN	APVD
K2		REVISED PER ECR-17-017609	04DEC2017	JB	DZ
K3		ECO-19-006502	30APR2019	AP	WS
K4		REVISED PER ECN-23-206968	11APR2023	WLS	VS
K5		REVISED PER ECN-23-240910	27NOV2023	WLS	VS



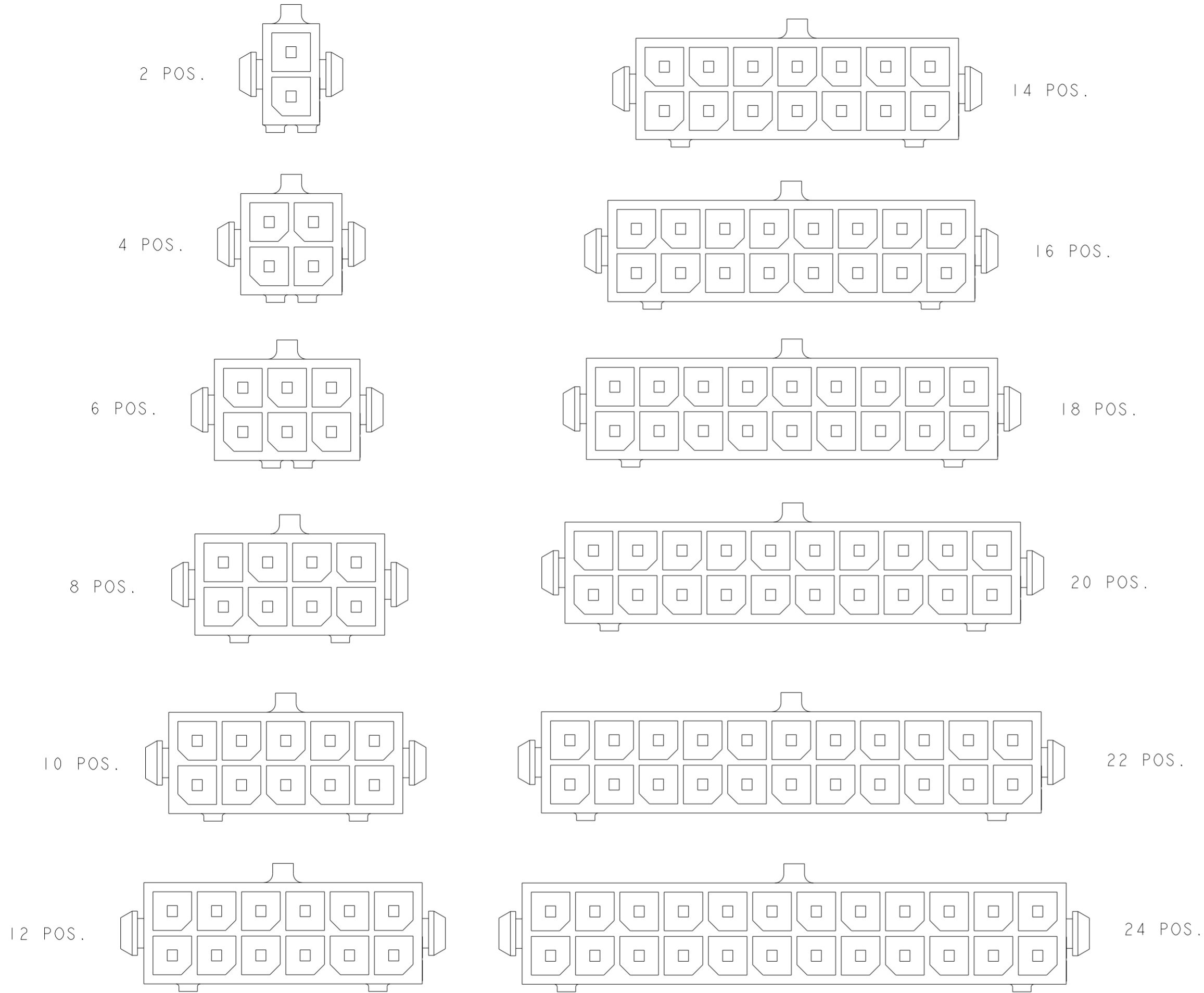
- 1 MATERIAL:  
HOUSING - UL 94V-0 RATED HIGH TEMP NYLON, COLOR BLACK.  
CONTACTS - BRASS.  
HOLDDOWNS - PHOSPHOR BRONZE.
- 2 RECOMMENDED PC BOARD THICKNESS OF 1.57.
- 3 KAPTON VACUUM PICK UP BUTTON.
- 4 DIMENSION APPLIES TO SOLDERTAIL SURFACES AND STANDOFF SURFACES.
- 5 ALL SOLDERTAILS.
- 6 PLATING:  
CONTACTS - 0.76µm MINIMUM GOLD ON MATING AREA.  
2.54µm MINIMUM MATTE TIN ON SOLDER TAILS.  
ALL OVER 1.27µm MINIMUM NICKEL.  
HOLDDOWNS - 2.54µm MINIMUM MATTE TIN OVER 1.27 MINIMUM NICKEL.
- 7 COUNTERPART RECOMMENDED IS PN 794617 (DASH ACC. TO NUMBER OF POSITION).
- 8 FOR REELING DIRECTION AND PACKAGING TYPE, SEE SPECIFICATION 114-13000.



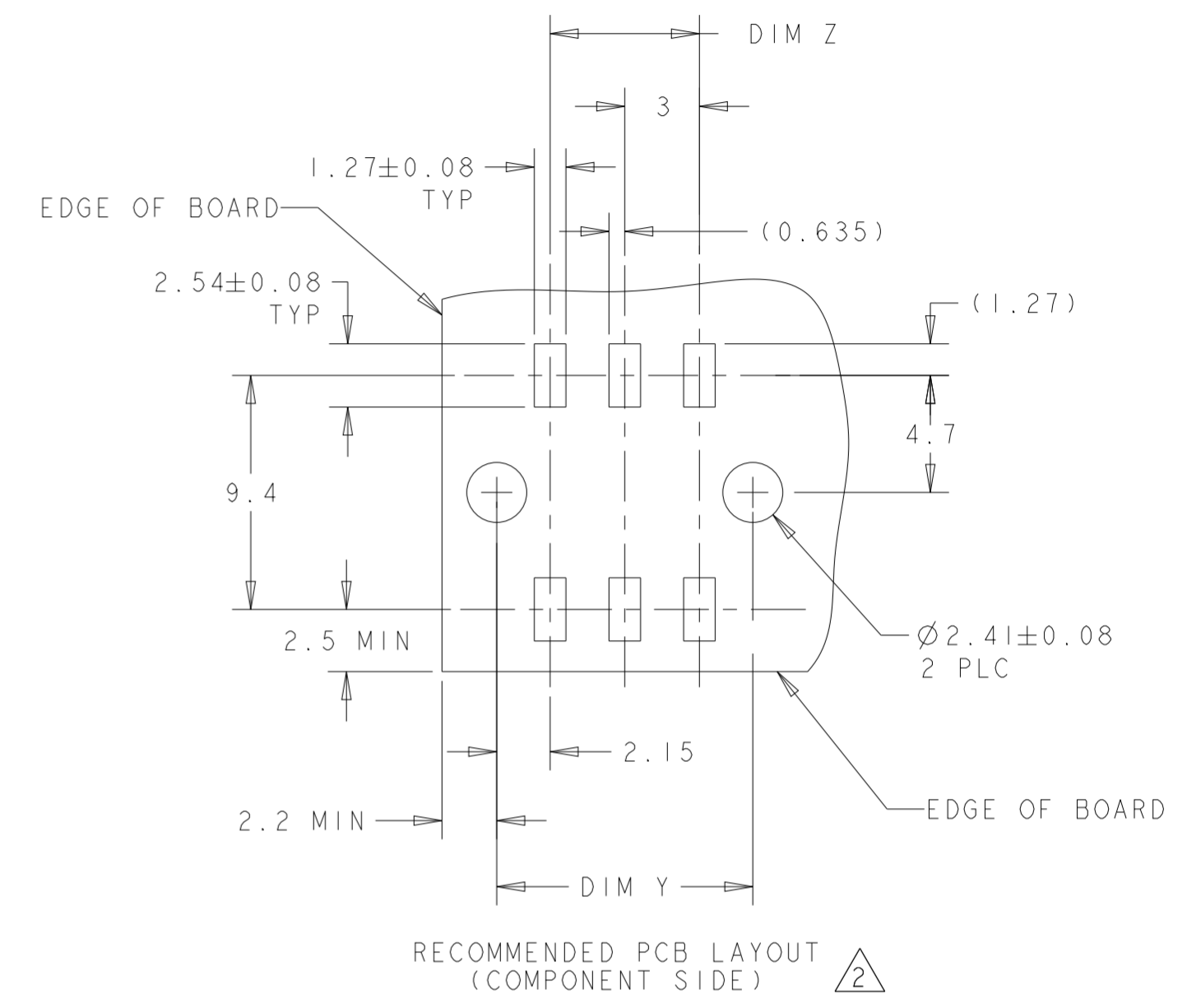
OBSOLETE	21.86	22.30	18.00	25.00	14	7-794635-4
OBSOLETE	36.86	37.30	33.00	40.00	24	5-794635-4
OBSOLETE	33.86	34.30	30.00	37.00	22	5-794635-2
OBSOLETE	30.86	31.30	27.00	34.00	20	5-794635-0
OBSOLETE	27.86	28.30	24.00	31.00	18	4-794635-8
OBSOLETE	24.86	25.30	21.00	28.00	16	4-794635-6
OBSOLETE	21.86	22.30	18.00	25.00	14	4-794635-4
OBSOLETE	18.86	19.30	15.00	22.00	12	4-794635-2
	15.86	16.30	12.00	19.00	10	4-794635-0
OBSOLETE	12.86	13.30	9.00	16.00	8	3-794635-8
	9.86	10.30	6.00	13.00	6	3-794635-6
OBSOLETE	6.86	7.30	3.00	10.00	4	3-794635-4
OBSOLETE	3.86	4.30		7.00	2	3-794635-2
	DIM V	DIM Y	DIM Z	DIM X	NO. OF POSN.	PART NUMBER


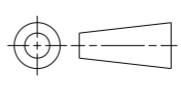
THIS DRAWING IS A CONTROLLED DOCUMENT.		DWN K. WHITAKER 19-MAR-2003		APVD C. JONES 19-MAR-2003		NAME SURFACE MOUNT, VERTICAL, MECHANICAL HOLDDOWN, ASSEMBLY, 30 GOLD HEADER, DUAL ROW, MICRO MATE-N-LOK(TM)																	
DIMENSIONS: mm		TOLERANCES UNLESS OTHERWISE SPECIFIED:		PRODUCT SPEC 108-1836		SIZE A2																	
<table border="0"> <tr> <td>0 PLC</td> <td>±</td> </tr> <tr> <td>1 PLC</td> <td>±</td> </tr> <tr> <td>2 PLC</td> <td>±0.13</td> </tr> <tr> <td>3 PLC</td> <td>±</td> </tr> <tr> <td>4 PLC</td> <td>±</td> </tr> <tr> <td>ANGLES</td> <td>±1°</td> </tr> <tr> <td>FINISH</td> <td></td> </tr> </table>		0 PLC	±	1 PLC	±	2 PLC	±0.13	3 PLC	±	4 PLC	±	ANGLES	±1°	FINISH		<table border="0"> <tr> <td>1</td> <td>6</td> </tr> </table>		1	6	APPLICATION SPEC 114-13000		CAGE CODE A20779	
0 PLC	±																						
1 PLC	±																						
2 PLC	±0.13																						
3 PLC	±																						
4 PLC	±																						
ANGLES	±1°																						
FINISH																							
1	6																						
MATERIAL		WEIGHT		DRAWING NO C-794635		RESTRICTED TO																	
1		-		SCALE 4:1		SHEET 1 OF 2																	
CUSTOMER DRAWING				REV K5																			

REVISIONS					
P	LTR	DESCRIPTION	DATE	DWN	APVD
-	-	SEE SHEET 1	-	-	-



KEYING BY POSITION SIZE



THIS DRAWING IS A CONTROLLED DOCUMENT.		DWN K. WHITAKER 19-MAR-2003	 TE Connectivity
DIMENSIONS: mm		CHK C. JONES 19-MAR-2003	
TOLERANCES UNLESS OTHERWISE SPECIFIED:		APVD C. JONES 19-MAR-2003	NAME SURFACE MOUNT, VERTICAL, MECHANICAL HOLDDOWN, ASSEMBLY, 30 GOLD HEADER, DUAL ROW, MICRO MATE-N-LOK(TM)
		PRODUCT SPEC 108-1836	SIZE A200779
MATERIAL -		APPLICATION SPEC 114-13000	CAGE CODE C-794635
FINISH -		WEIGHT -	DRAWING NO -
-		CUSTOMER DRAWING	RESTRICTED TO -
-		SCALE 4:1	SHEET 2 OF 2
-		REV K5	