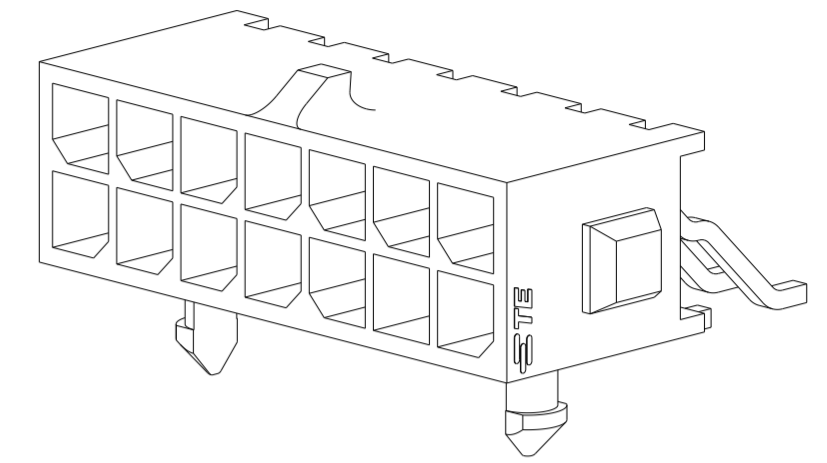
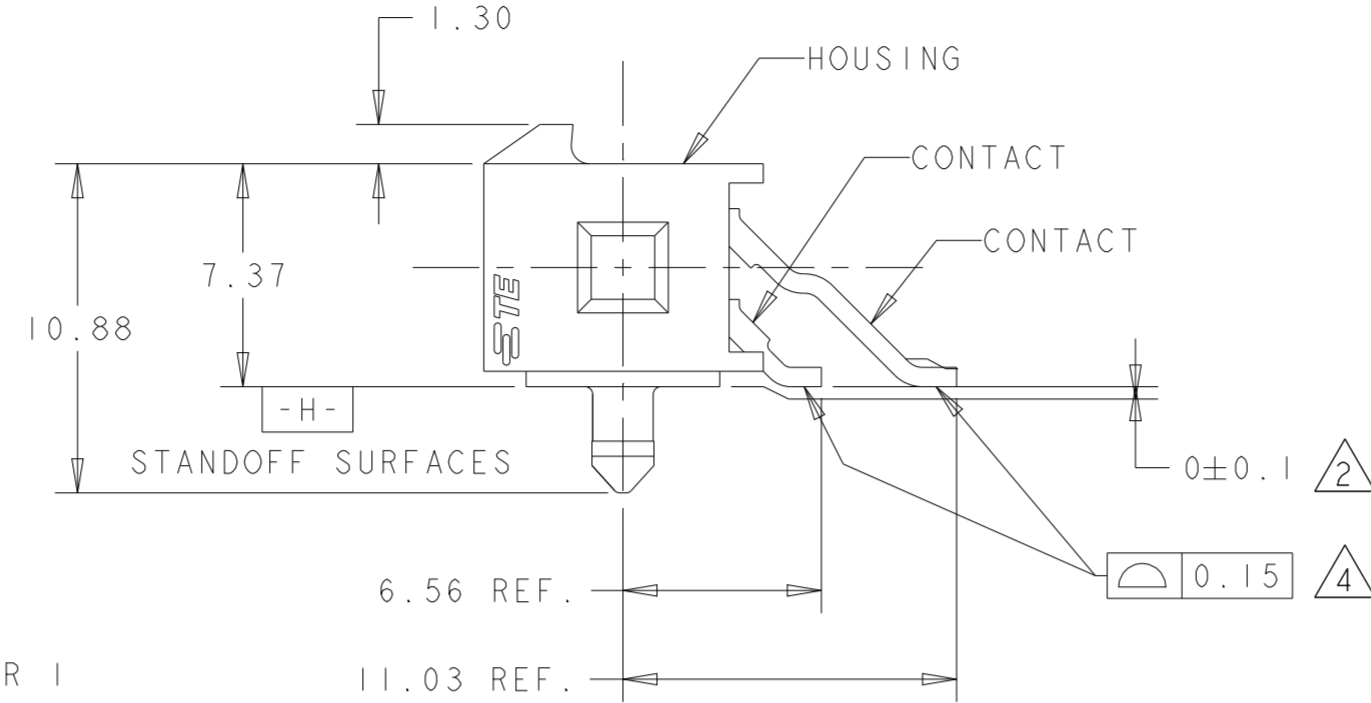
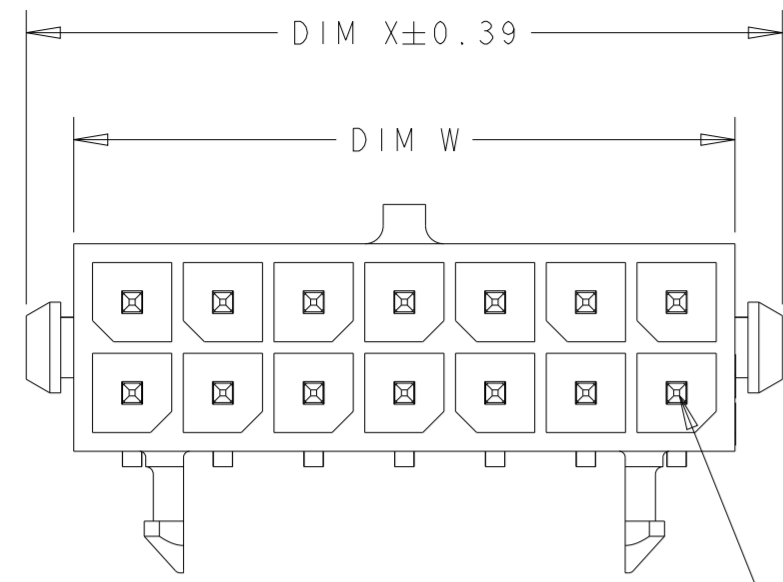
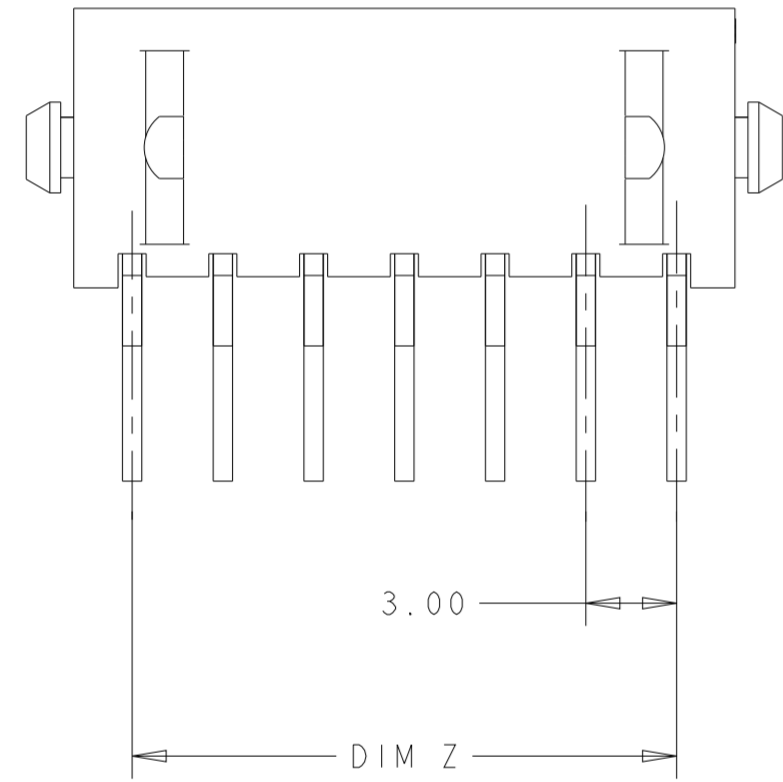


| P | LTR | DESCRIPTION | DATE | DWN | APVD |
|----|-----|---------------------------|-----------|-----|------|
| G5 | | REVISED PER ECN-23-240910 | 24NOV2023 | WLS | VS |



CIRCUIT NUMBER 1

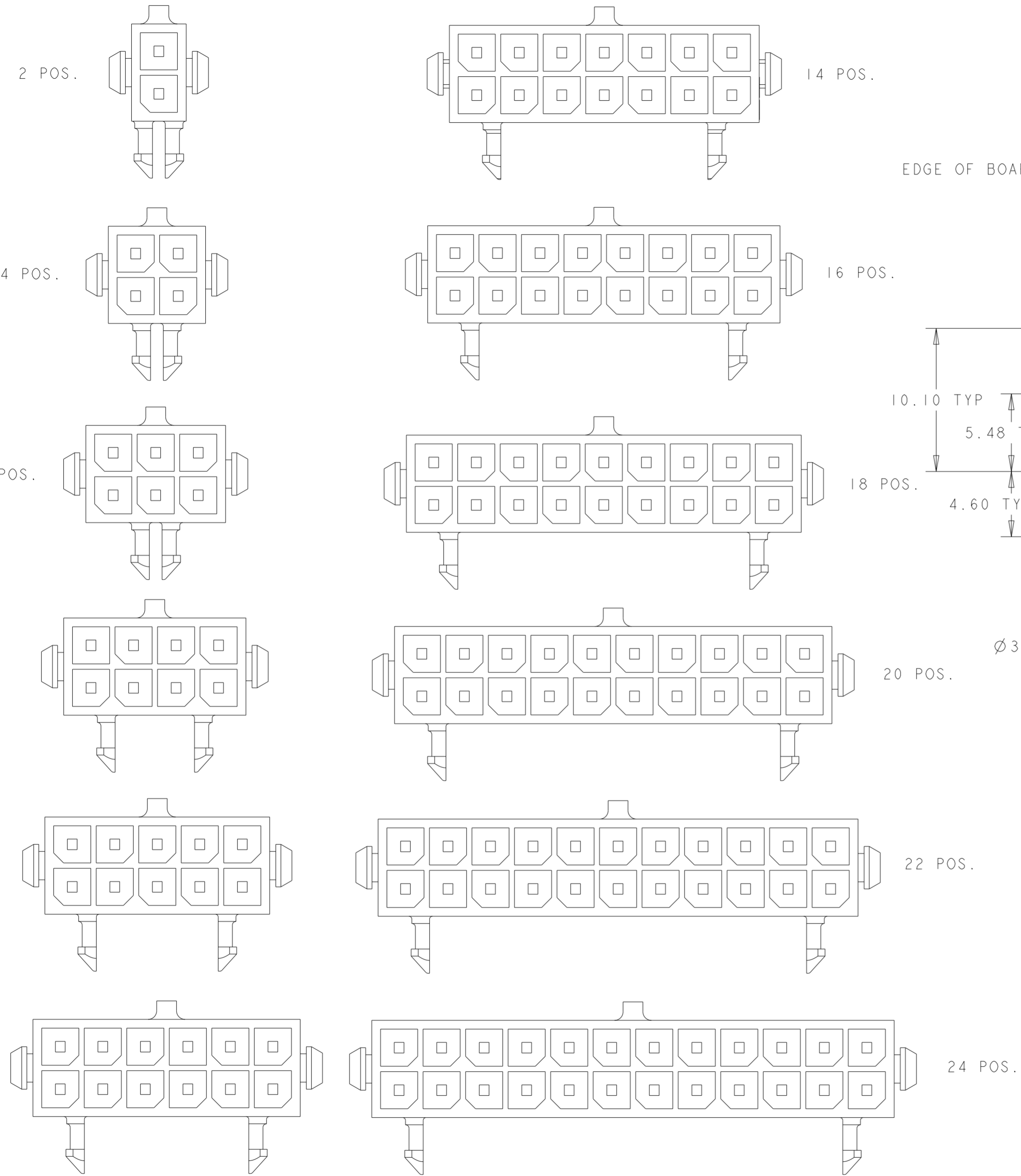


- ① MATERIAL;
HOUSING - UL 94V-0 RATED HIGH TEMP NYLON, COLOR BLACK.
CONTACTS - BRASS.
 - ② DIMENSION APPLIES TO SOLDERTAIL SURFACES AND STANDOFF SURFACES.
 - ③ RECOMMENDED PC BOARD THICKNESS OF 1.57.
 - ④ ALL SOLDERTAILS.
 - ⑤ PLATING;
CONTACTS - 0.38µm MINIMUM GOLD ON MATING AREA.
2.54µm MINIMUM MATTE TIN ON SOLDER TAILS.
ALL OVER 1.27µm MINIMUM NICKEL.
- 6 COUNTERPART RECOMMENDED IS PN 794617 (DASH ACCORDING TO NUMBER OF POSITION).
7 FOR REELING DIRECTION AND PACKAGING TYPE, SEE SPECIFICATION 114-13000.

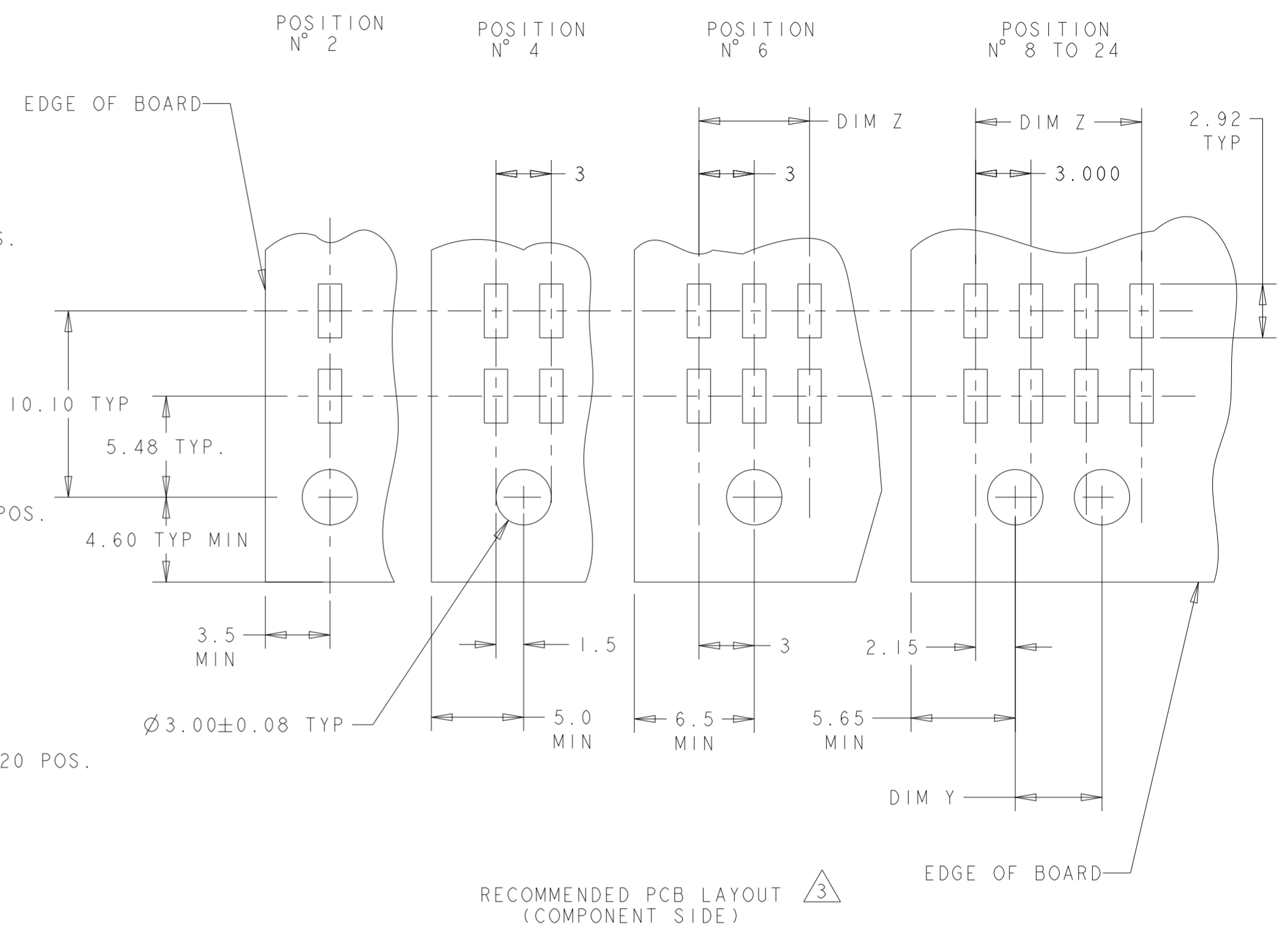
| | | | | | | |
|----------|-------|-------|-------|-------|--------------|-------------|
| OBSOLETE | 36.86 | 28.70 | 33.00 | 40.00 | 24 | 5-794622-4 |
| OBSOLETE | 33.86 | 25.70 | 30.00 | 37.00 | 22 | 5-794622-2 |
| OBSOLETE | 30.86 | 22.70 | 27.00 | 34.00 | 20 | 5-794622-0 |
| OBSOLETE | 27.86 | 19.70 | 24.00 | 31.00 | 18 | 4-794622-8 |
| OBSOLETE | 24.86 | 16.70 | 21.00 | 28.00 | 16 | 4-794622-6 |
| OBSOLETE | 21.86 | 13.70 | 18.00 | 25.00 | 14 | 4-794622-4 |
| OBSOLETE | 18.86 | 10.70 | 15.00 | 22.00 | 12 | 4-794622-2 |
| | 15.86 | 7.70 | 12.00 | 19.00 | 10 | 4-794622-0 |
| OBSOLETE | 12.86 | 4.70 | 9.00 | 16.00 | 8 | 3-794622-8 |
| OBSOLETE | 9.86 | - | 6.00 | 13.00 | 6 | 3-794622-6 |
| OBSOLETE | 6.86 | - | 3.00 | 10.00 | 4 | 3-794622-4 |
| | 3.86 | - | - | 7.00 | 2 | 3-794622-2 |
| | DIM W | DIM Y | DIM Z | DIM X | NO. OF POSN. | PART NUMBER |

| | | | | | | | | | | | | | | | | | | | | |
|--|-------|-----------------------------------|--|-------------------------------|---|-------|-------|-------|---|-------|---|--------|-----|--------|--|--------------------------|-------------------|----------------------|------------------------|---------------|
| THIS DRAWING IS A CONTROLLED DOCUMENT. | | DWN K. WHITAKER 28 JAN 2002 | TE Connectivity | | | | | | | | | | | | | | | | | |
| DIMENSIONS: mm | | CHK C. JONES 28 JAN 2002 | | | | | | | | | | | | | | | | | | |
| TOLERANCES UNLESS OTHERWISE SPECIFIED: | | APVD C. JONES 28 JAN 2002 | NAME SURFACE MOUNT, R/A, 15 GOLD HEADER, PLASTIC BOARDLOCK, DUAL ROW, MICRO MATE-N-LOK (TM) | | | | | | | | | | | | | | | | | |
| <table border="0"> <tr><td>0 PLC</td><td>±</td></tr> <tr><td>1 PLC</td><td>±</td></tr> <tr><td>2 PLC</td><td>±0.13</td></tr> <tr><td>3 PLC</td><td>±</td></tr> <tr><td>4 PLC</td><td>±</td></tr> <tr><td>ANGLES</td><td>±1°</td></tr> <tr><td>FINISH</td><td></td></tr> </table> | | 0 PLC | ± | 1 PLC | ± | 2 PLC | ±0.13 | 3 PLC | ± | 4 PLC | ± | ANGLES | ±1° | FINISH | | PRODUCT SPEC 108-1836 | SIZE 114-13000 | CAGE CODE A200779 | DRAWING NO G-794622 | RESTRICTED TO |
| 0 PLC | ± | | | | | | | | | | | | | | | | | | | |
| 1 PLC | ± | | | | | | | | | | | | | | | | | | | |
| 2 PLC | ±0.13 | | | | | | | | | | | | | | | | | | | |
| 3 PLC | ± | | | | | | | | | | | | | | | | | | | |
| 4 PLC | ± | | | | | | | | | | | | | | | | | | | |
| ANGLES | ±1° | | | | | | | | | | | | | | | | | | | |
| FINISH | | | | | | | | | | | | | | | | | | | | |
| MATERIAL | | APPLIC. SPEC 114-13000 | WEIGHT - | SCALE 4:1 SHEET 1 OF 2 REV G5 | | | | | | | | | | | | | | | | |
| ① | | CUSTOMER DRAWING | | | | | | | | | | | | | | | | | | |
| ⑤ | | SCALE 4:1 SHEET 1 OF 2 REV G5 | | | | | | | | | | | | | | | | | | |

| REVISIONS | | | | |
|-----------|-----|-------------|------|------|
| P | LTR | DESCRIPTION | DATE | APVD |
| - | - | SEE SHEET 1 | - | - |
| | | | | |
| | | | | |



KEYING BY POSITION SIZE



| | | | |
|--|-------------|-----------------------------------|--|
| THIS DRAWING IS A CONTROLLED DOCUMENT. | | DWN K. WHITAKER 28 JAN 2002 | TE Connectivity |
| DIMENSIONS: mm | | CHK C. JONES 28 JAN 2002 | |
| TOLERANCES UNLESS OTHERWISE SPECIFIED: | | APVD C. JONES 28 JAN 2002 | NAME SURFACE MOUNT, R/A, 15 GOLD HEADER, PLASTIC BOARDLOCK, DUAL ROW, MICRO MATE-N-LOK (TM) |
| 0 PLC ± | 1 PLC ± | PRODUCT SPEC 108-1836 | SIZE A2 |
| 2 PLC ±0.13 | 3 PLC ± | APPLICATION SPEC 114-13000 | CAGE CODE 0779 |
| 4 PLC ± | ANGLES ±° | WEIGHT - | DRAWING NO G-794622 |
| MATERIAL - | FINISH - | CUSTOMER DRAWING | RESTRICTED TO |
| | | SCALE 4:1 | SHEET 2 OF 2 |
| | | | REV G5 |