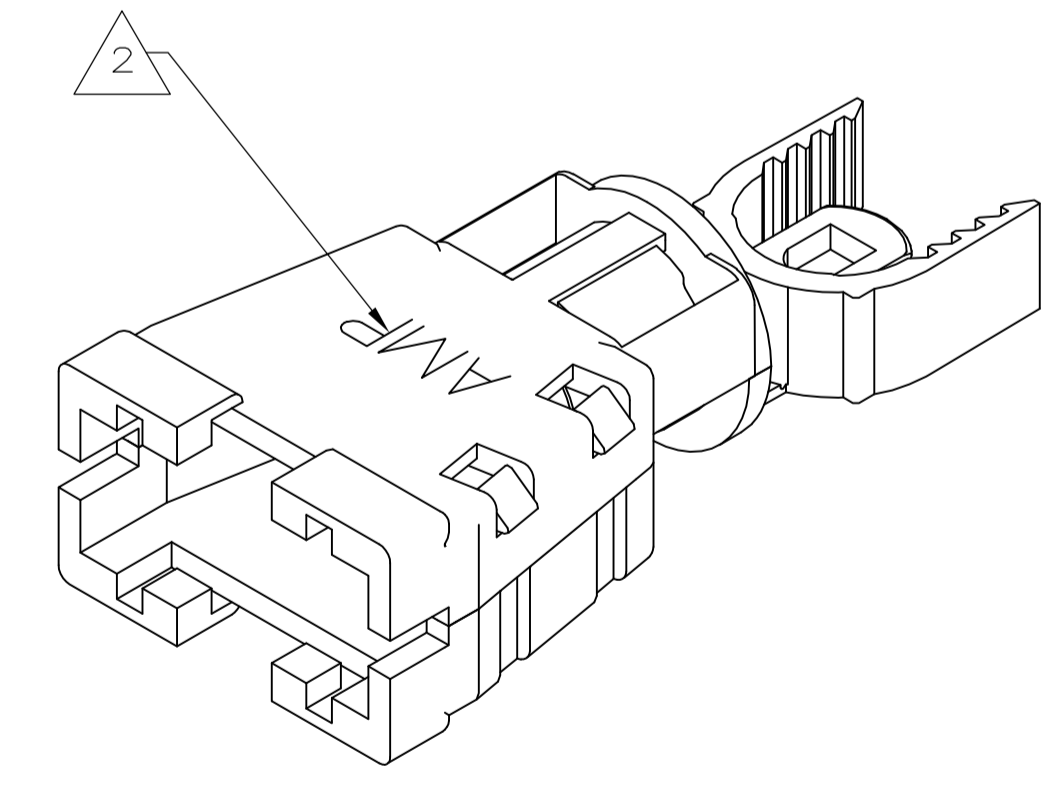
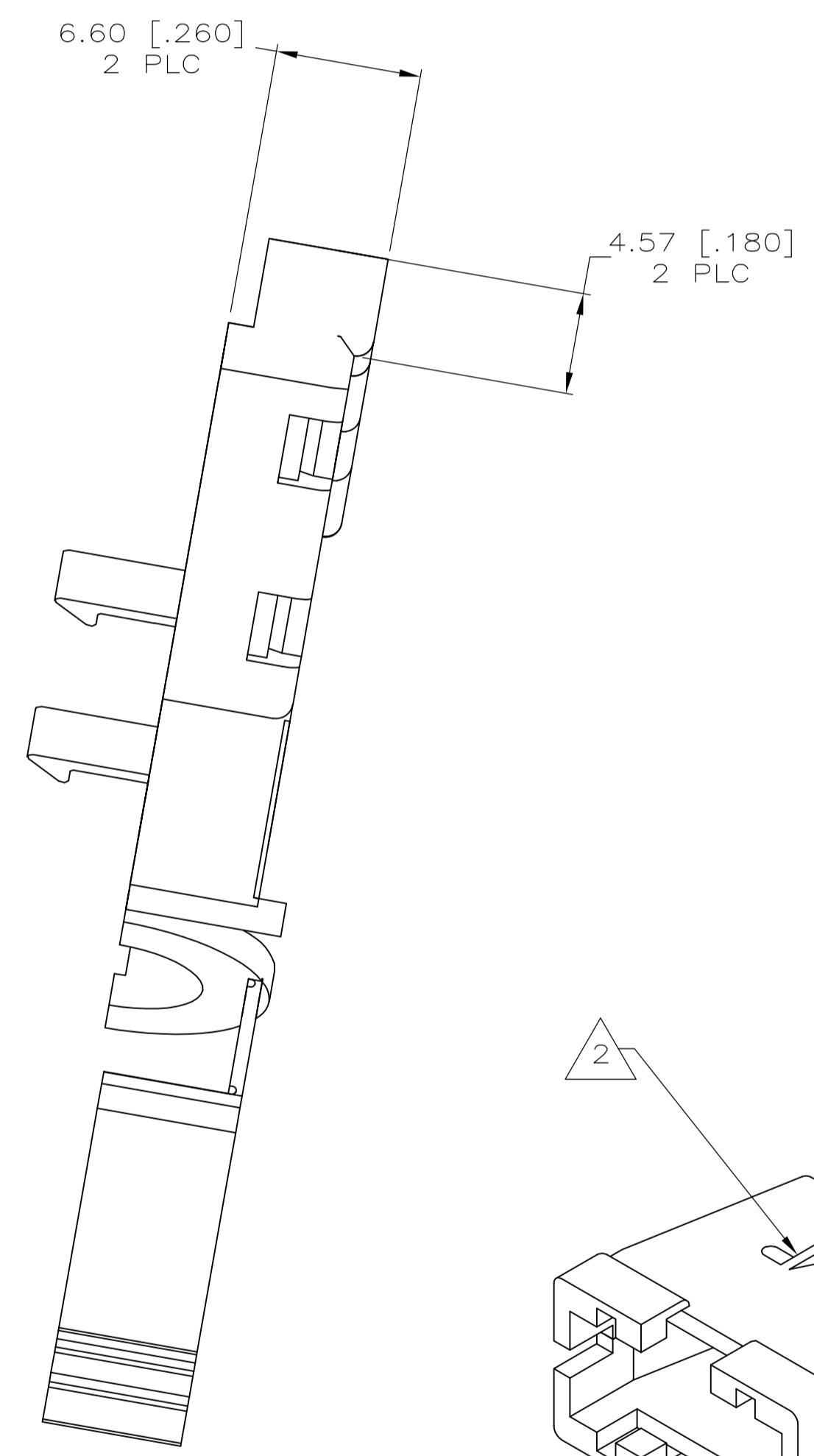
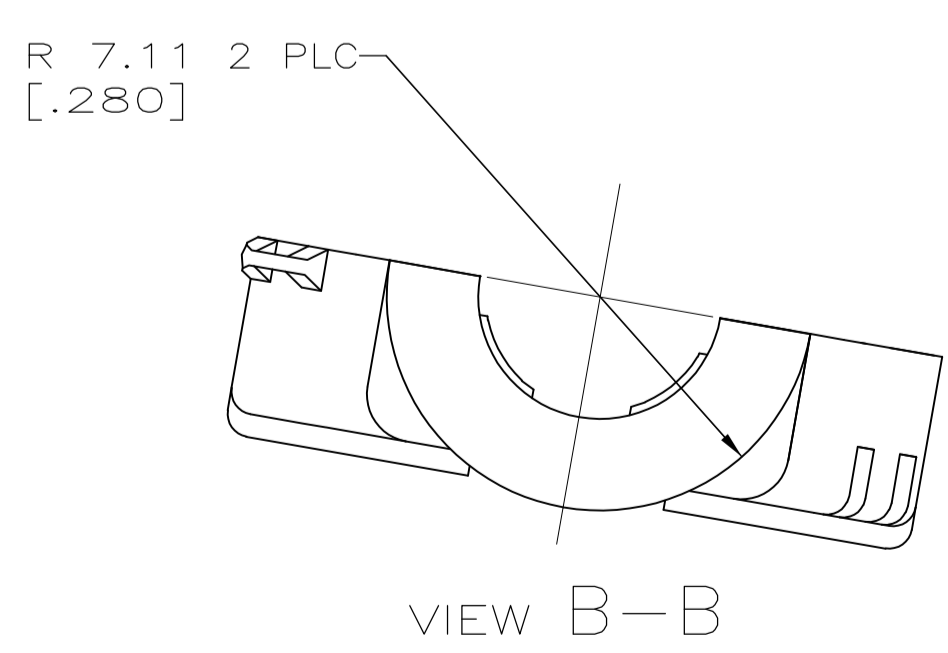
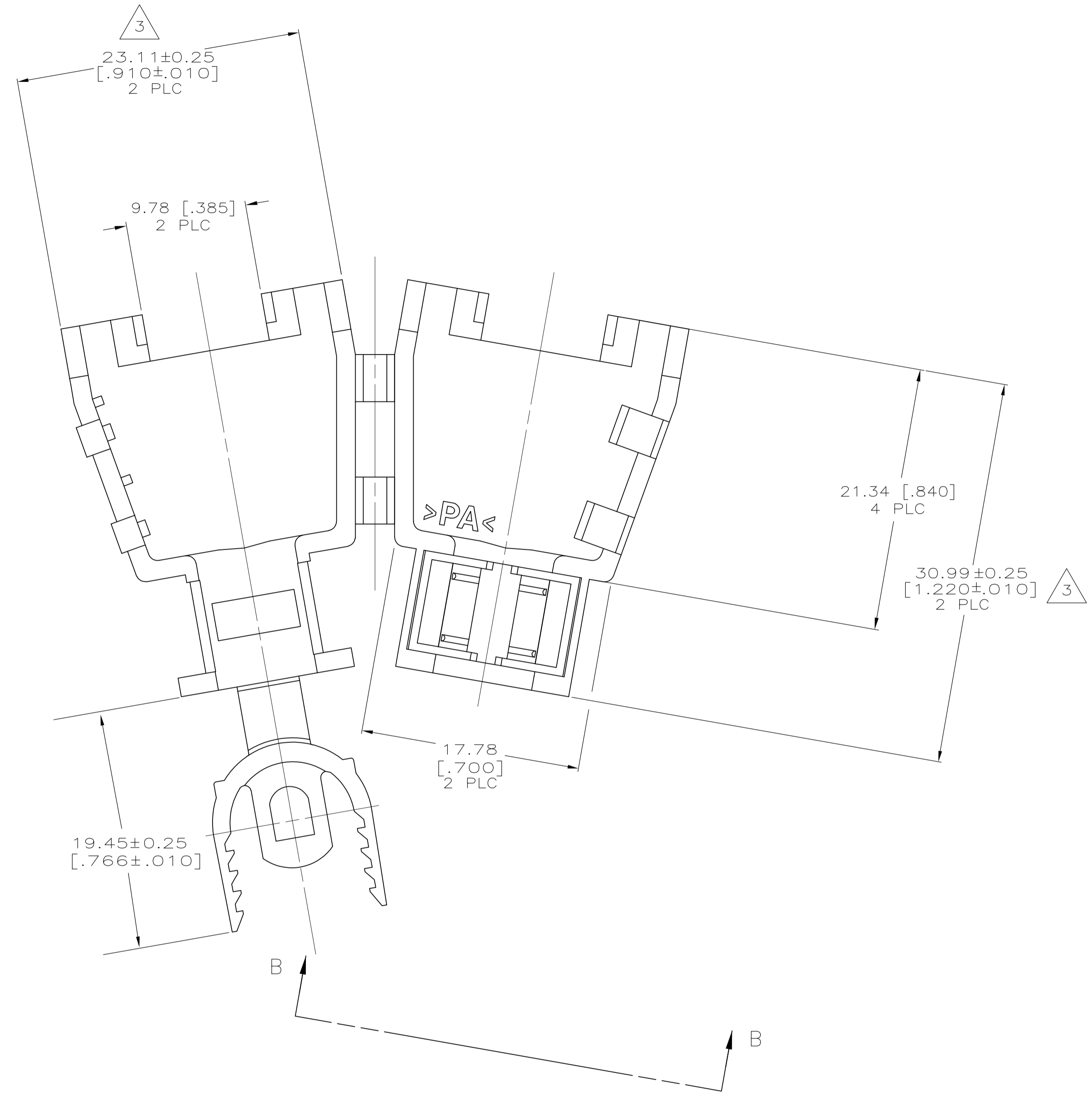


LOC		DIST		REVISIONS			
CM	00	REV	DATE	DESCRIPTION	DATE	OWN	APVD
B2		REVISED PER	22JAN16	ECR-16-000195		SC	DZ



3-DIMENSIONAL MODEL NTS

- 1. DIMENSIONS IN BRACKETS ARE IN INCHES.
- 2 AMP LOGO MAY APPEAR ON ONE SIDE ONLY OR ON BOTH SIDES.
- 3 DIMENSION INDICATED IS AS MOLDED. ADDITIONAL GROWTH DUE TO SUBSEQUENT MOISTURE ABSORPTION MAY OCCUR.

794423-1
PART NUMBER

METRIC

THIS DRAWING IS A CONTROLLED DOCUMENT.		OWN: S. HOOVER 15-OCT-2004	TE Connectivity
DIMENSIONS: mm (INCHES)		CHK: C. JONES 15-OCT-2004	
TOLERANCES UNLESS OTHERWISE SPECIFIED:		APVD: C. JONES 15-OCT-2004	NAME
0 PLC ±	1 PLC ±	PRODUCT SPEC	STRAIN RELIEF, HINGED, 6 POSITION, PLUG AND CAP, MINI UNIVERSAL MATE-N-LOK
2 PLC ± 0.13 [.005]	3 PLC ±	APPLICATION SPEC	RESTRICTED TO
4 PLC ±	ANGLES ±	WEIGHT	SIZE: A1
MATERIAL: NYLON UL94V-0	FINISH: COLOR - NATURAL	CAGE CODE: 00779	DRAWING NO: 794423
CUSTOMER DRAWING		SCALE: 4:1	SHEET 1 OF 1 REV B2