

4

3

2

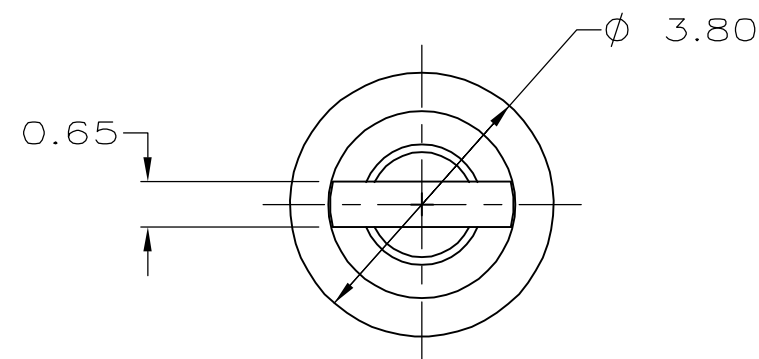
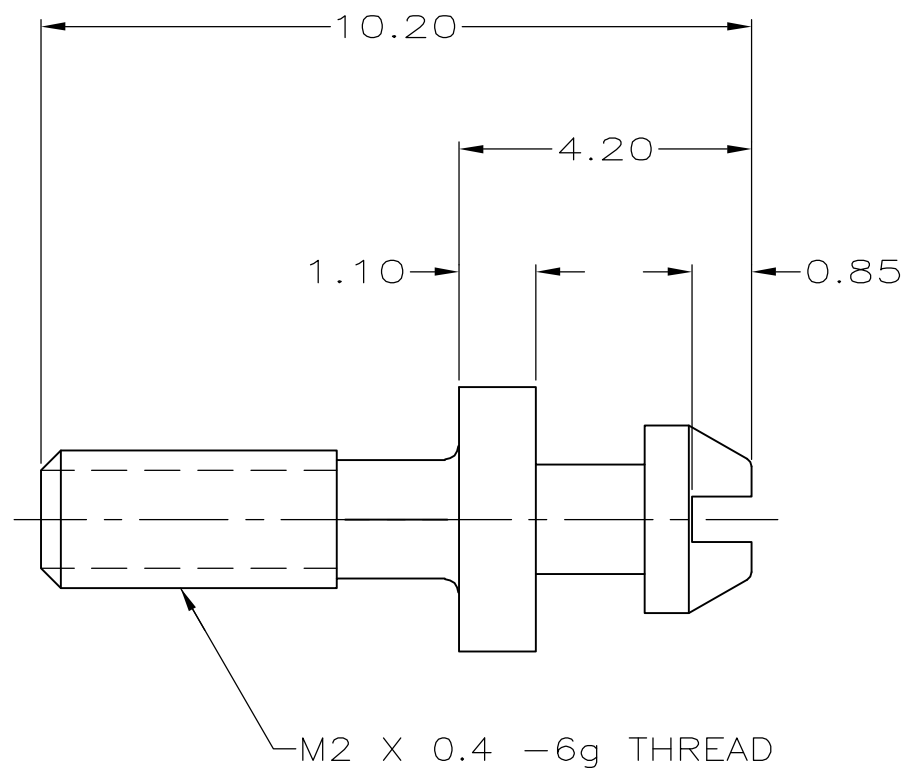
1

THIS DRAWING IS UNPUBLISHED. RELEASED FOR PUBLICATION - , - .

© COPYRIGHT - BY TYCO ELECTRONICS CORPORATION. ALL RIGHTS RESERVED.

LOC	DIST	REVISIONS					
GP	00	P	LTR	DESCRIPTION	DATE	DWN	APVD
			B	REVISED PER ECO-06-000326	17APR06	BM	SS

△ 1 MATERIAL:
 STAINLESS STEEL PER TYCO 100-222-1
 (UNS S30300). COLD FINISHED.



	200	787003-3
OBSOLETE	2	787003-2
QTY	PART NUMBER	

THIS DRAWING IS A CONTROLLED DOCUMENT.		DWN	S.G.SMITH	08/20/93	Tyco Electronics Corporation Harrisburg, PA 17105-3608			
DIMENSIONS:		CHK	J.J.CONSOLO	08/20/93				
mm	TOLERANCES UNLESS OTHERWISE SPECIFIED:	APVD	-	-	NAME			
	0 PLC ± - 1 PLC ± - 2 PLC ± 0.13 3 PLC ± - 4 PLC ± - ANGLES ± -	PRODUCT SPEC	108-1471		LATCHING POST, BOARDMOUNT, 0.8mm CHAMP			
MATERIAL	FINISH	APPLICATION SPEC	-		SIZE	CAGE CODE	DRAWING NO	RESTRICTED TO
△ 1	-	WEIGHT	-		A3	00779	C=787003	-
CUSTOMER DRAWING					SCALE	10:1	SHEET	1 OF 1
							REV	B