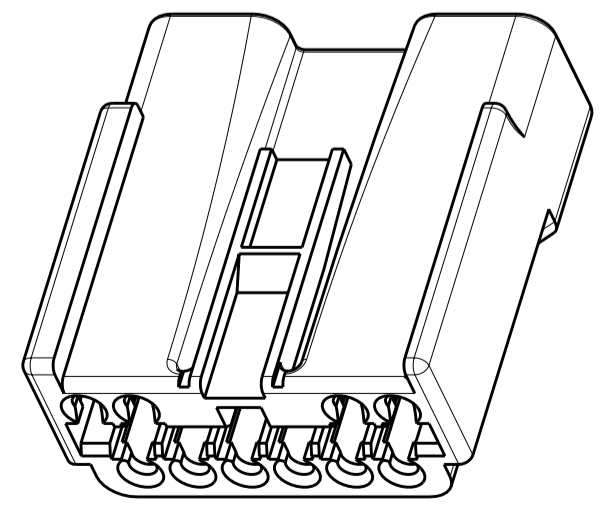
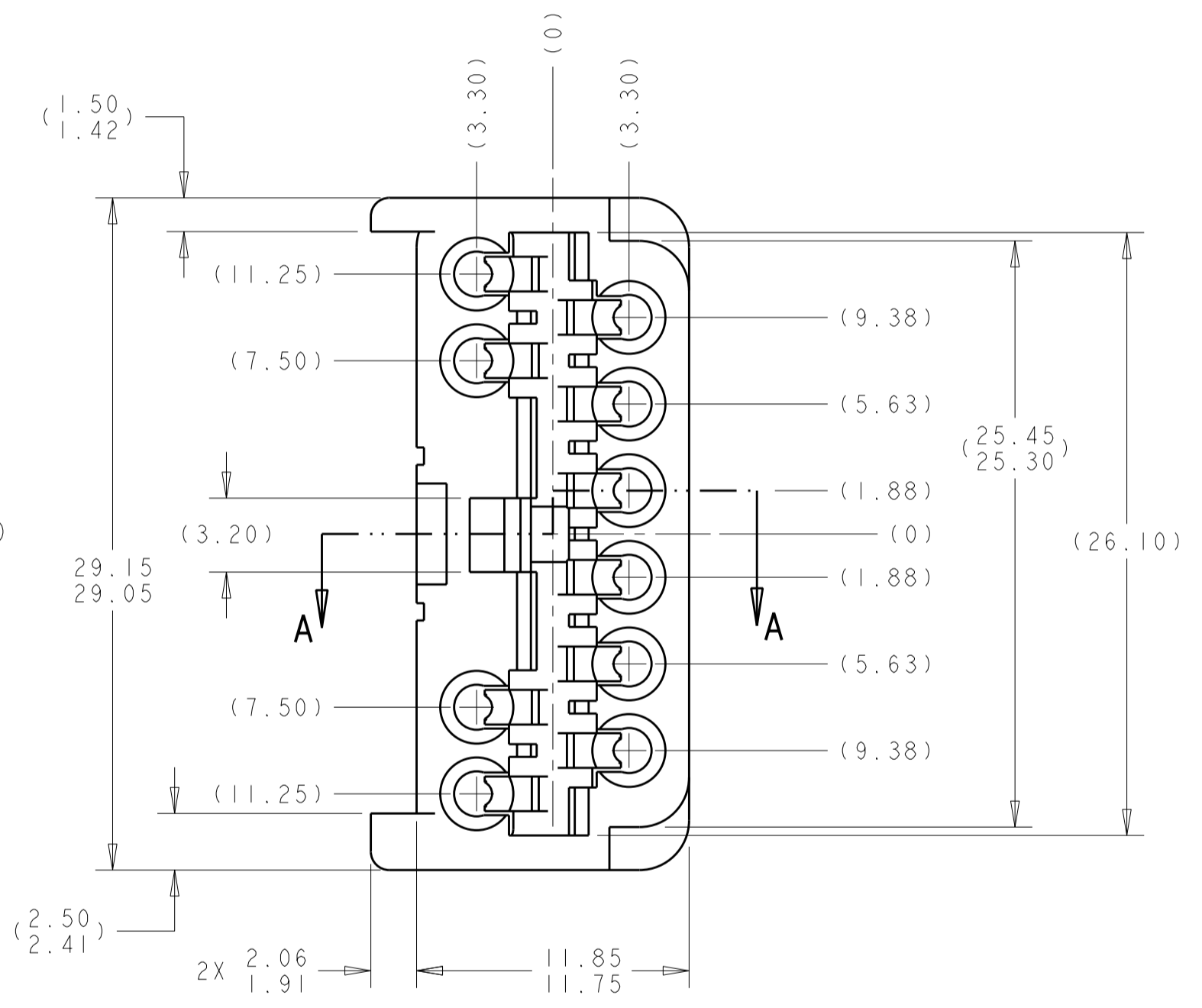
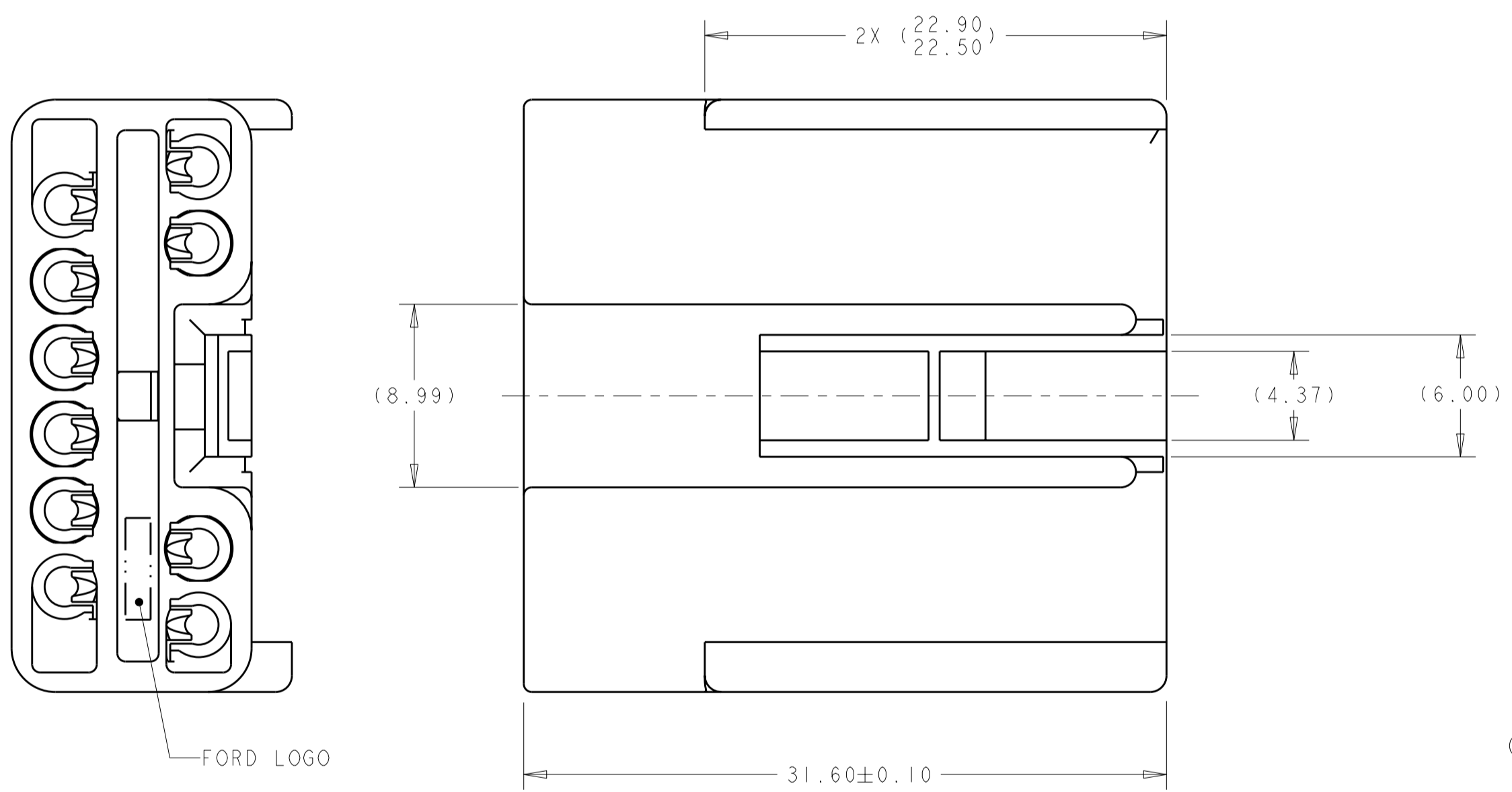
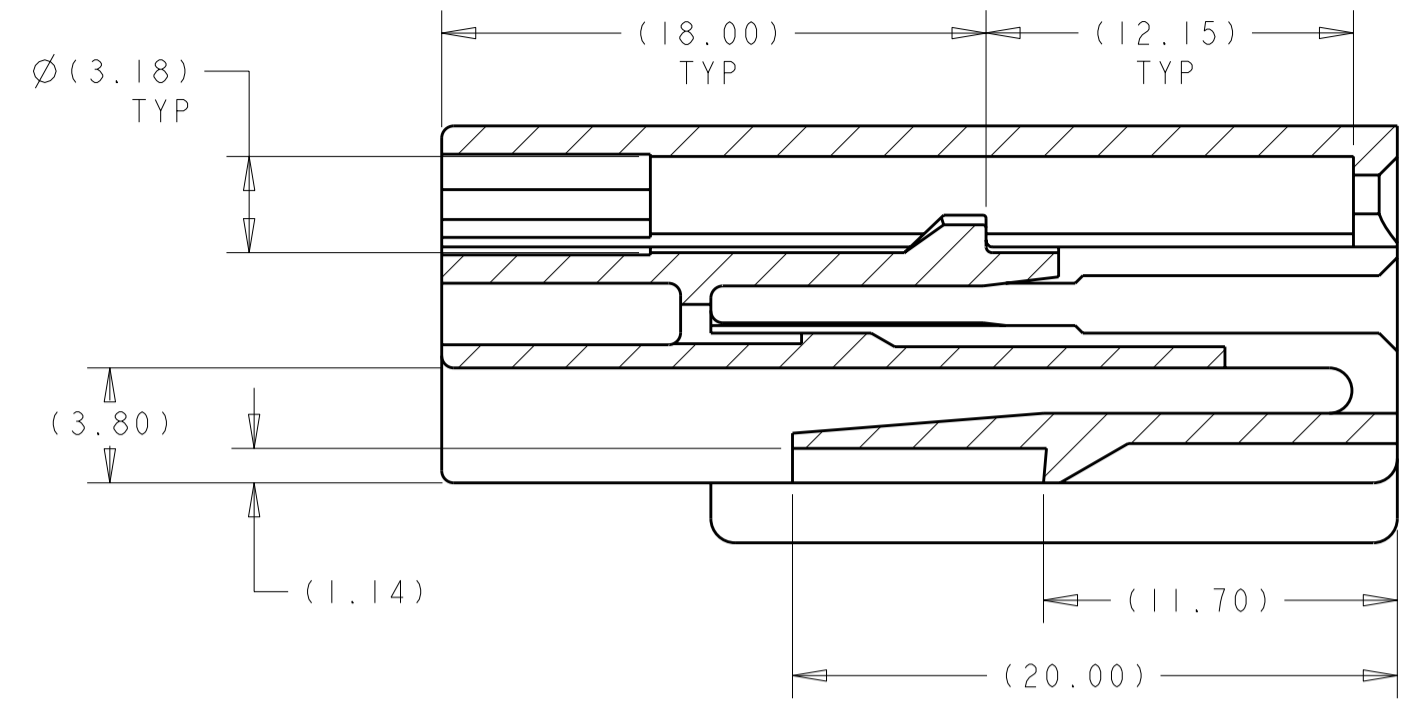
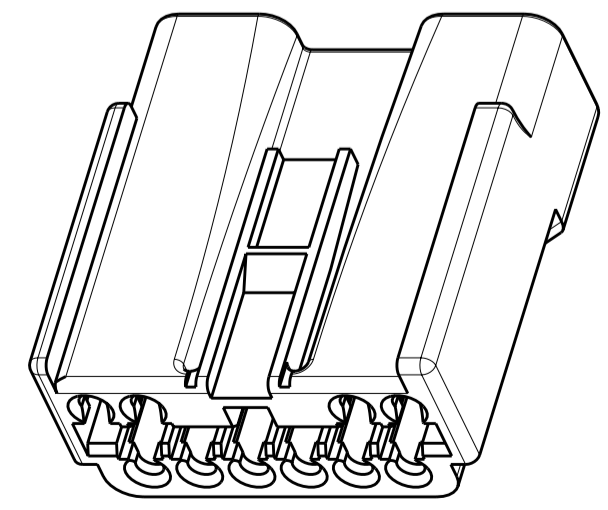


THIS DRAWING IS UNPUBLISHED. RELEASED FOR PUBLICATION 20
 © COPYRIGHT 20 BY TYCO ELECTRONICS CORPORATION. ALL RIGHTS RESERVED.

| LOC | DIST | REVISIONS | | | |
|-----|------|--------------------------------|-----------|-----|------|
| P | LTR | DESCRIPTION | DATE | DWN | APVD |
| GE | 00 | | | | |
| | C | RE-ACTIVATED PER ECO-09-010378 | 28APR2009 | DD | TB |



776074-1
SCALE 2:1



776074-2
SCALE 2:1

| COLOR | DESCRIPTION | PART NUMBER |
|-------|---------------------|-------------|
| BLACK | RIGHT HAND, NO LOGO | 776074-3 |
| GRAY | LEFT HAND | 776074-2 |
| BLACK | RIGHT HAND | 776074-1 |

| | | | |
|--|--|--|--|
| THIS DRAWING IS A CONTROLLED DOCUMENT FOR TYCO ELECTRONICS CORPORATION IT IS SUBJECT TO CHANGE AND THE CONTROLLING ENGINEERING ORGANIZATION SHOULD BE CONTACTED FOR THE LATEST REVISION. | | DWN A. HOLT 14JUN2005 CHK B. KUHNLY 14JUN2005 APVD B. KUHNLY 14JUN2005 | Tyco Electronics Harrisburg, PA 17105-3608 |
| DIMENSIONS: mm | TOLERANCES UNLESS OTHERWISE SPECIFIED: 0 PLC ± 1 PLC ± 2 PLC ± 3 PLC ± 4 PLC ± ANGLES ±° FINISH | PRODUCT SPEC APPLICATION SPEC WEIGHT CUSTOMER DRAWING | NAME PLUG, MALE, 10 POSITION ABC PROGRAM SIZE CAGE CODE DRAWING NO RESTRICTED TO A200779 C-776074 - |
| MATERIAL | PBT | | |

776074