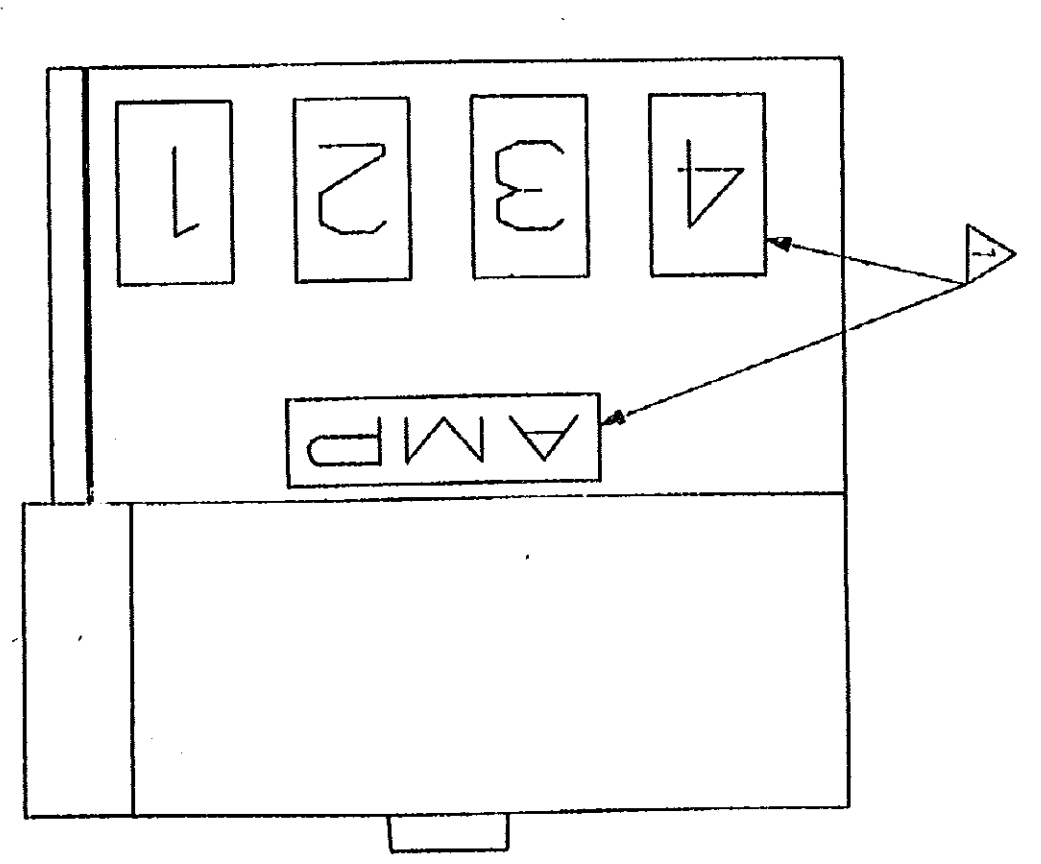
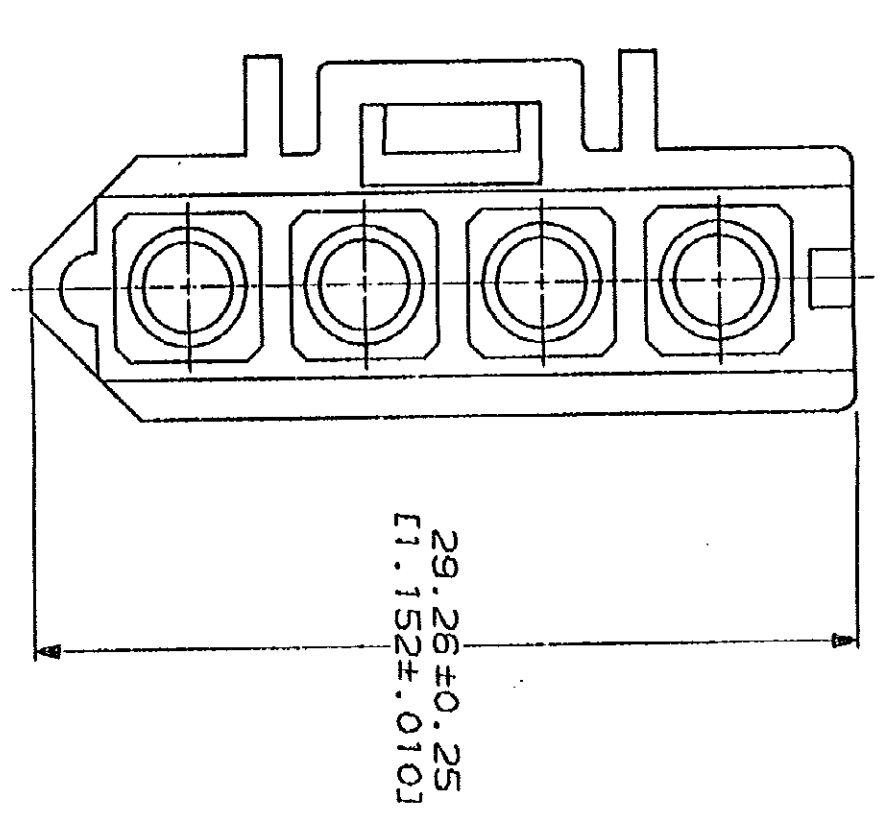
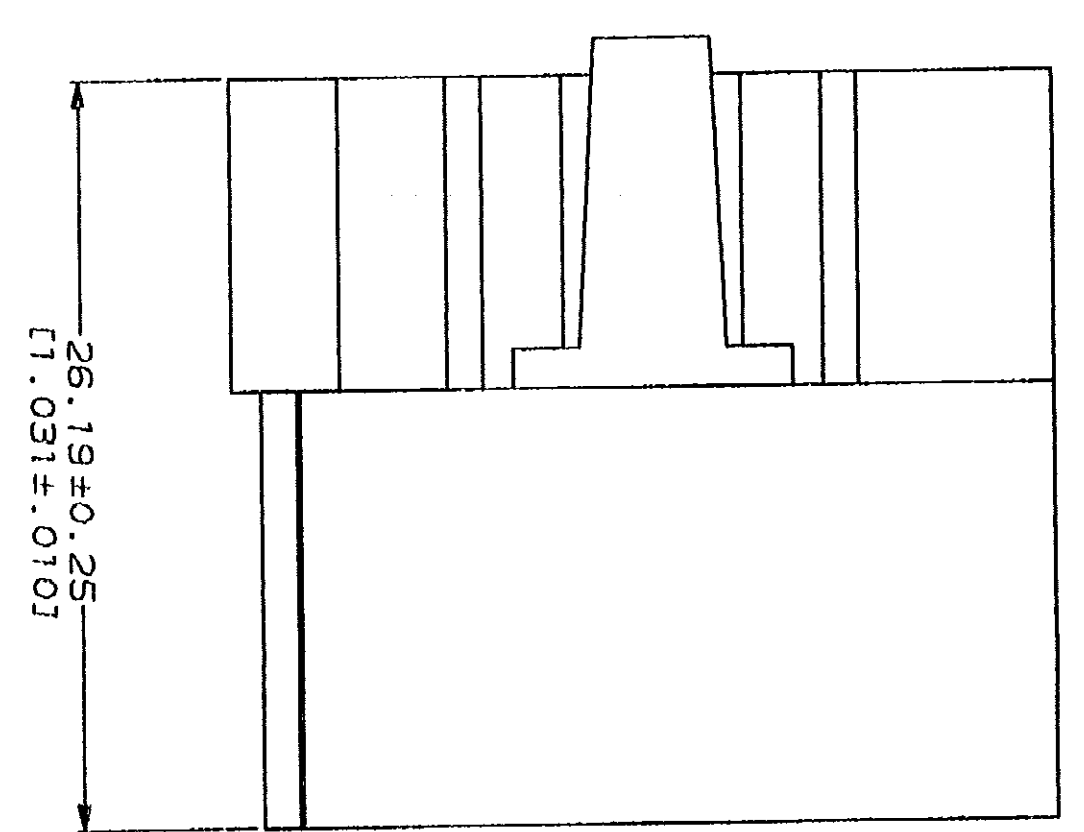
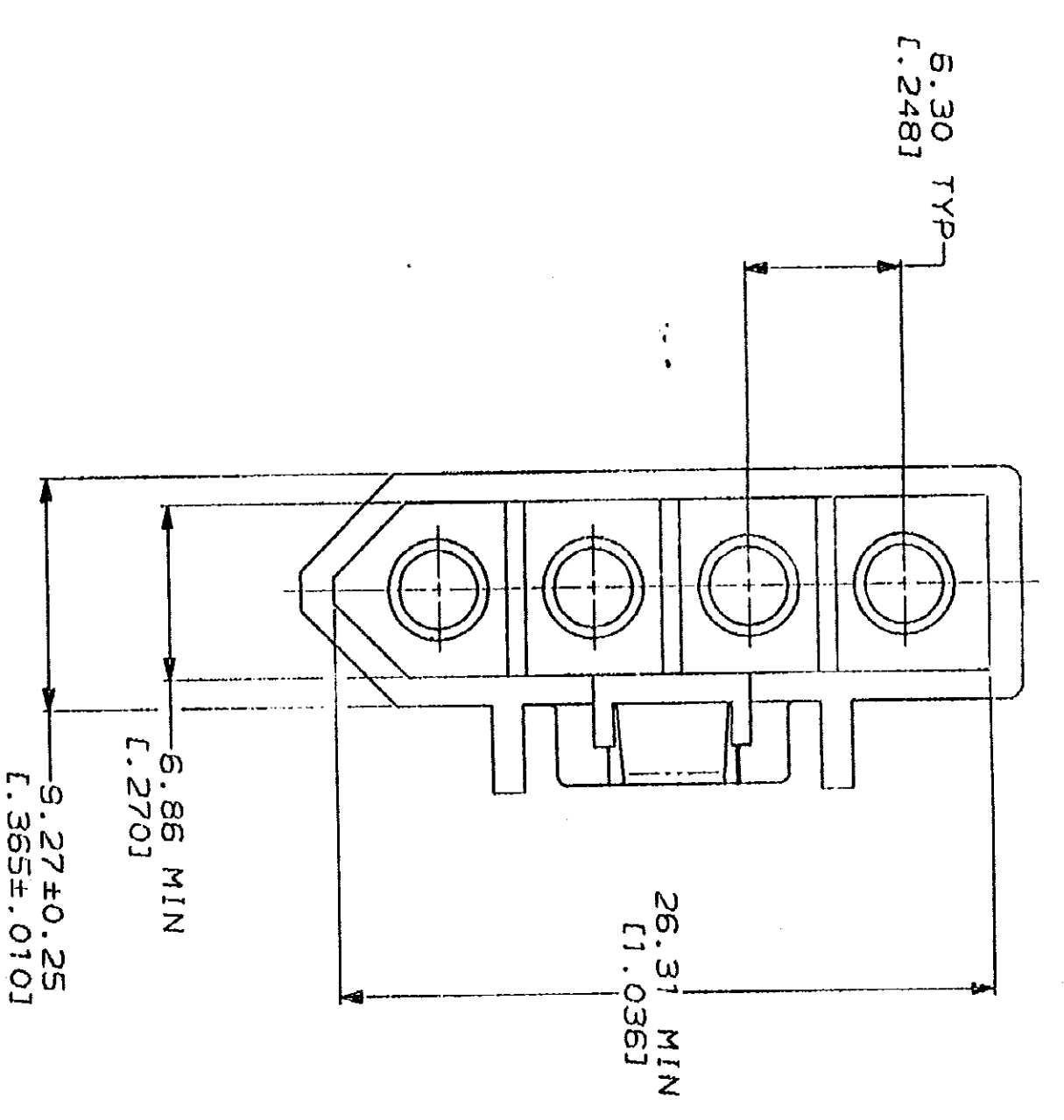
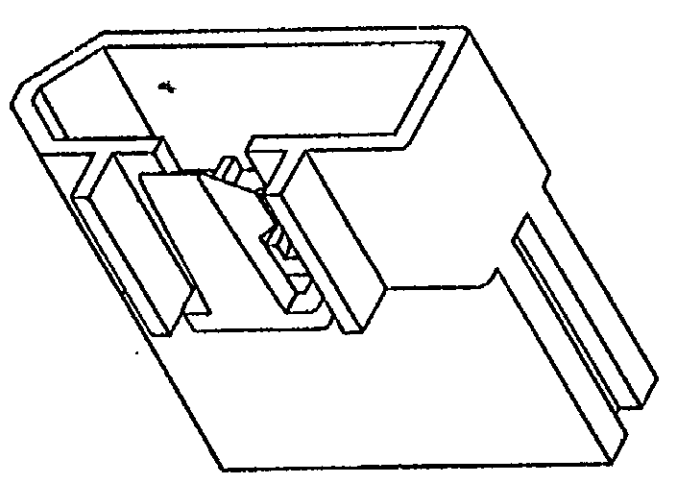


DRAWING MADE IN 180 ANGLE PROJECTION
 THIS DRAWING IS UNRELEASABLE
 UNLESS SPECIFICALLY AUTHORIZED BY AMP INCORPORATED
 ALL INFORMATION RIGHTS RESERVED.

REV	DATE	BY	DESCRIPTION
1			
2			REVISED PER ECN CH 3387



△ AMP LOGO AND CIRCUIT NUMBERS LOCATED IN THIS AREA.
 2. DIMENSIONS IN BRACKETS ARE IN INCHES.



3-DIMENSIONAL MODEL NTS

METRIQ

DO NOT SCALE PRINT. UNLESS SPECIFIED DIMENSIONS IN INCHES		DR K. WHITNER 12-3-90	AMP INCORPORATED HARTFORD, PA 17105-3608
CHK R. SWINE 12-3-90	APPD G. CASI 12-3-90	NAME	AMP
2 P.L.C DEC # 0.13 [0.051]	3 P.L.C DEC # 0.13 [0.051]	PRODUCT SPEC	POSITIVE LOCK, 4 CIRCUIT, COMMERCIAL PIN AND SOCKET
MATERIAL	NYLON UL 94V-2	APPLICATION SPEC	
FINISH	NATURAL	SIZE	D 00779
WEIGHT		SCALE	4:1
		DRAWING NO	770810
		SHEET	1 OF 1

CUSTOMER DRAWING