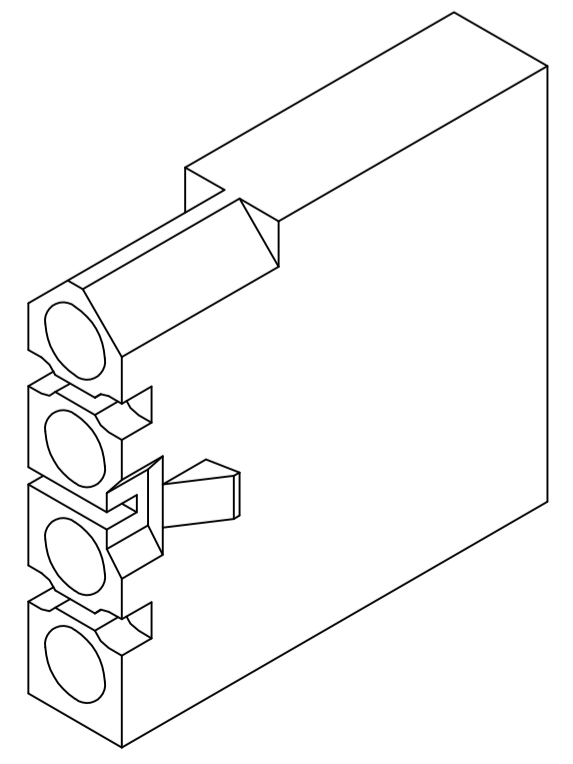
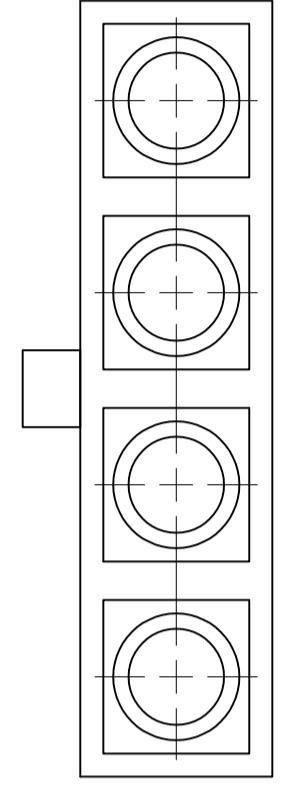
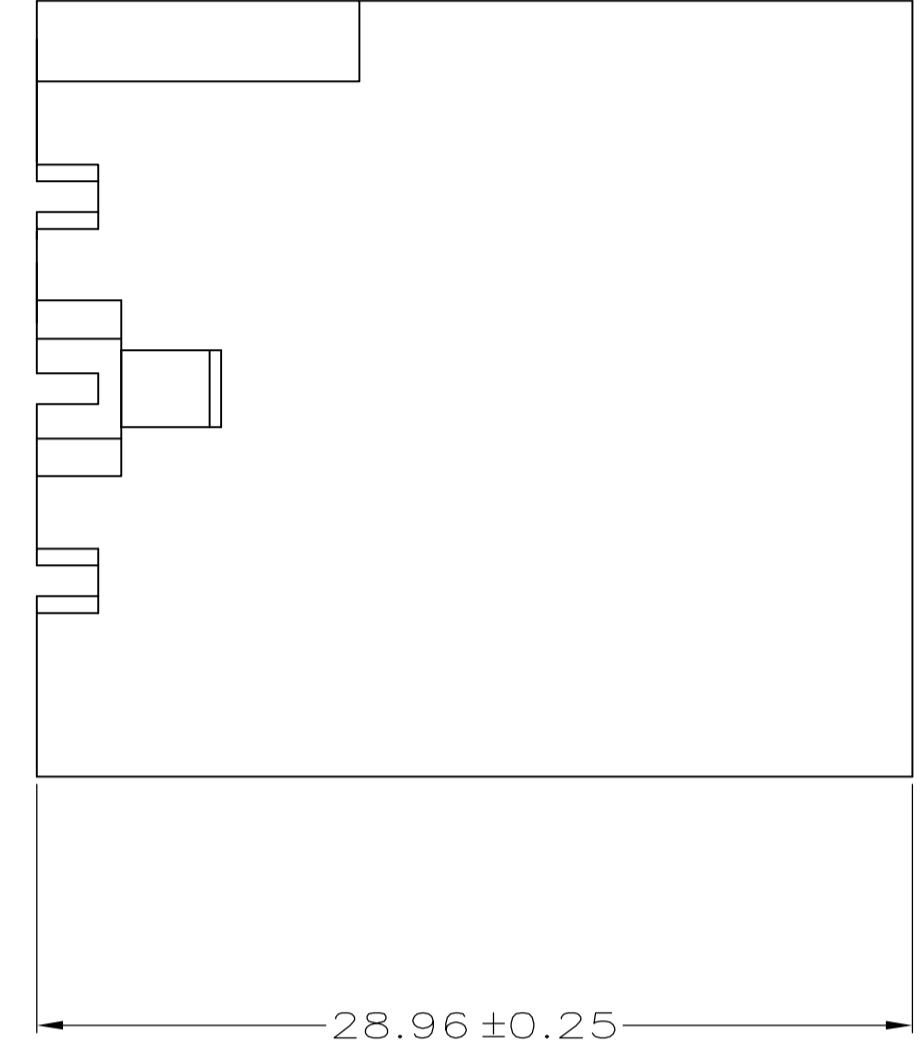
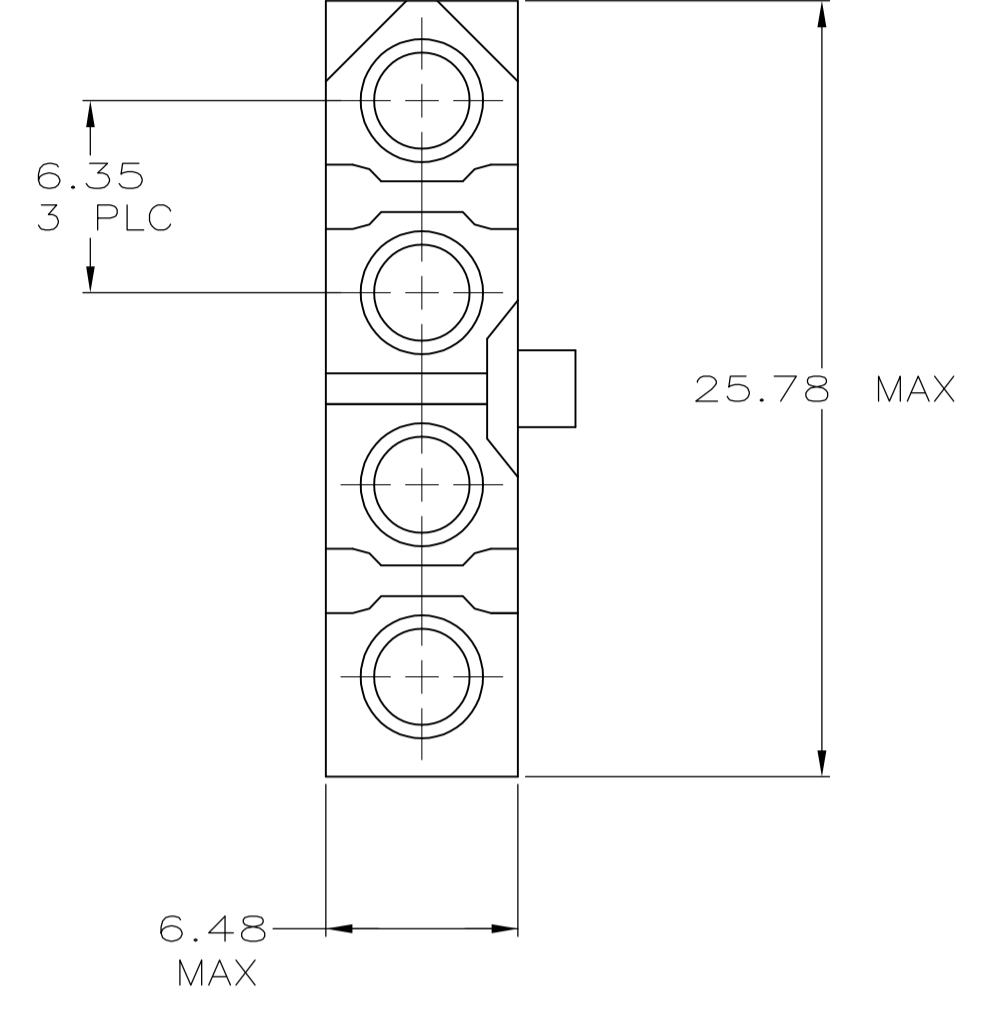
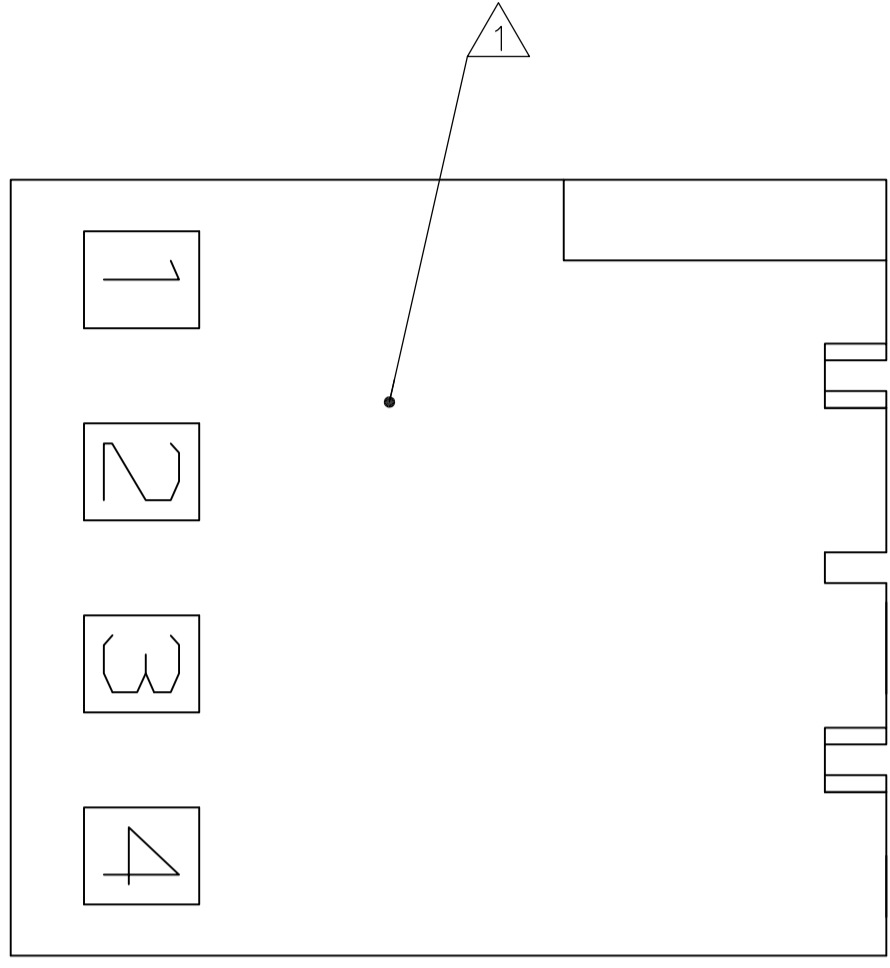


AMP LOGO LOCATED THIS SURFACE.



3-DIMENSIONAL MODEL NTS

28.96	1.140
25.78	1.015
6.48	.255
6.35	.250
0.25	.010
0.13	.005
MM	IN
CONVERSION TABLE	

770337-1
PART NUMBER

THIS DRAWING IS A CONTROLLED DOCUMENT.		DIN K. WHITAKER 10-24-97	
		CHK R. SWING 10-24-97	
DIMENSIONS:	TOLERANCES UNLESS OTHERWISE SPECIFIED:	APPD K. COBLE 10-24-97	NAME
mm		PRODUCT SPEC	RECEPTACLE, 4 CIRCUIT, .250 PIN AND SOCKET
	0. PLC ± -	APPLICATION SPEC	SIZE
	1. PLC ± -	108-1037	A1
	2. PLC ± 0.13	114-1013	WEIGHT
	3. PLC ± -		NYLON, -
	4. PLC ± -		CUSTOMER DRAWING
	ANGLES ± -		SCALE 4:1
			SHEET 1 OF 1
			REV F1