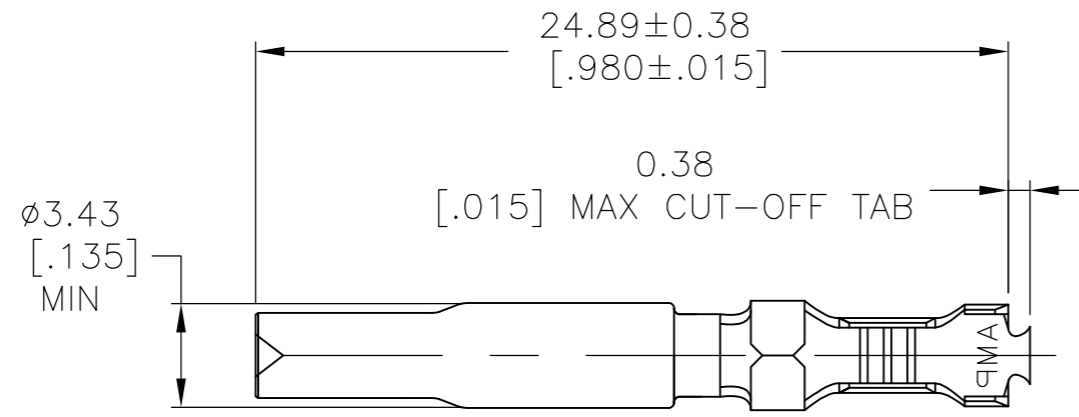


THIS DRAWING IS UNPUBLISHED. RELEASED FOR PUBLICATION
 © COPYRIGHT - By - ALL RIGHTS RESERVED.

LOC		DIST		REVISIONS			
P	LTR	DESCRIPTION		DATE	DWN	APVD	
CM	0	C1	REVISED PER ECO-11-005027		11MAR11	RK	HMR

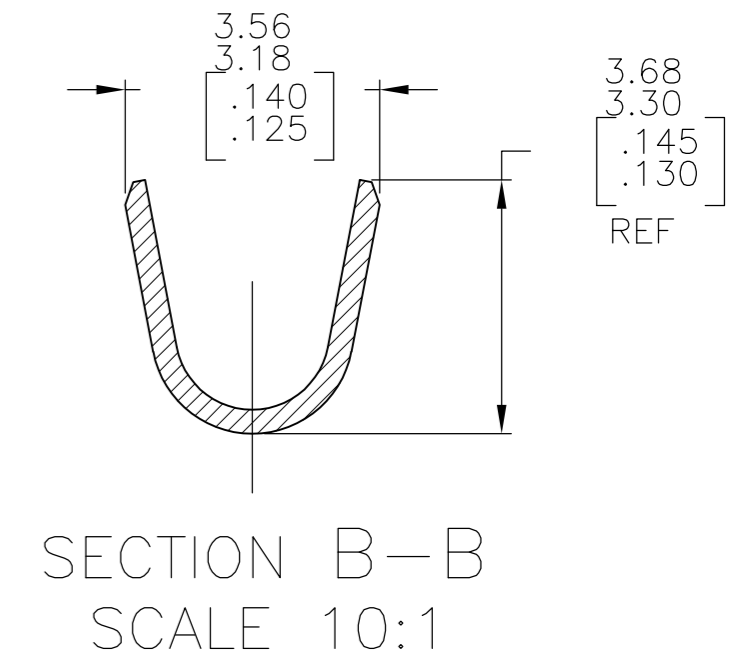
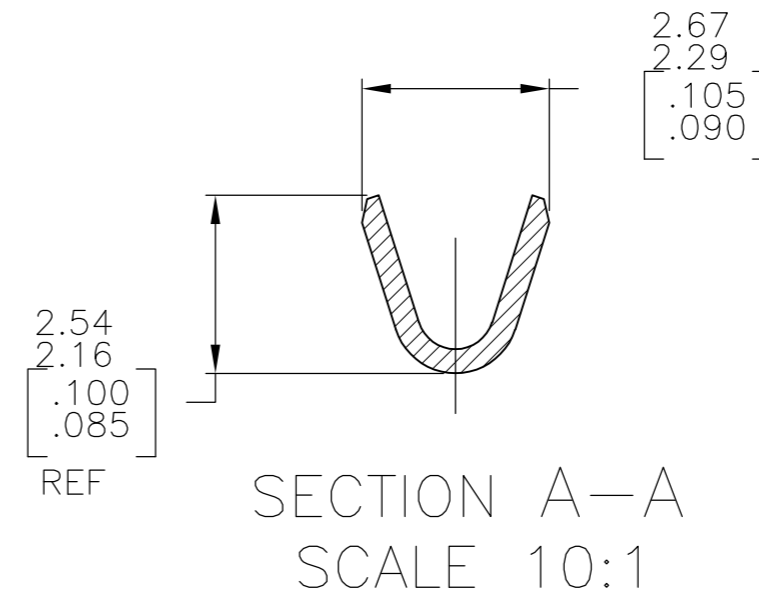
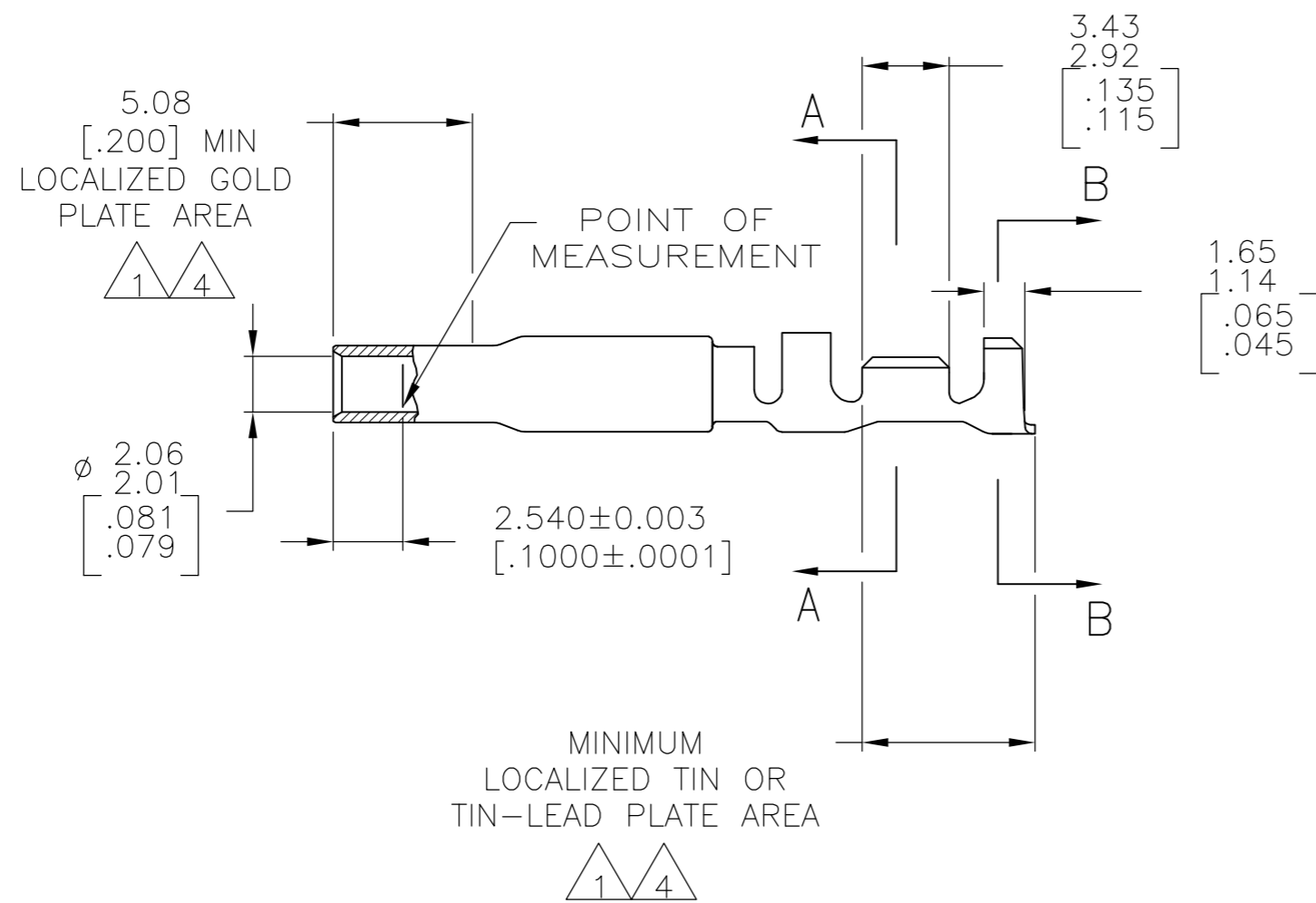


1. 0.00076[.000030] MIN GOLD AT POINT OF MEASUREMENT IN THE LOCALIZED GOLD PLATE AREA, 0.00127[.000050] MIN TIN-LEAD IN TIN-LEAD PLATE AREA, 0.00127[.000050] MIN NICKEL UNDERPLATE ON ENTIRE CONTACT.

2. WIRE RANGE: 0.2-1mm² [24-18 AWG].
INSULATION RANGE: 1.02-2.54[.040-.100] DIA.

3. DIMENSIONS IN BRACKETS ARE IN INCHES.

4. 0.00076[.000030] MIN GOLD AT POINT OF MEASUREMENT IN THE LOCALIZED GOLD PLATE AREA, 0.00127[.000050] MIN TIN IN TIN PLATE AREA, 0.00127[.000050] MIN NICKEL UNDERPLATE ON ENTIRE CONTACT.



FINISH	MATERIAL	PART NO
GOLD 4	0.30 [.012] PH BRZ	1-770253-0
GOLD 1	0.30 [.012] PH BRZ	770253-4
PRE-TIN	0.30 [.012] PH BRZ	770253-3

THIS DRAWING IS A CONTROLLED DOCUMENT.		DWN K. SALMON 20JAN93		
DIMENSIONS: mm [INCHES]		CHK R. SWING 20JAN93		
TOLERANCES UNLESS OTHERWISE SPECIFIED:		APVD M. TRULL 01APR93	NAME SOCKET, LOOSE PIECE, UNIVERSAL MATE-N-LOK™ II	
0 PLC ± -		PRODUCT SPEC	SIZE A2	
1 PLC ± -		APPLICATION SPEC	CAGE CODE 00779	
2 PLC ± -		WEIGHT	DRAWING NO C=770253	
3 PLC ± -		RESTRICTED TO	REV C1	
4 PLC ± -		CUSTOMER DRAWING	SCALE 4:1	
ANGLES ± -			SHEET 1 OF 1	
FINISH SEE TABLE				

