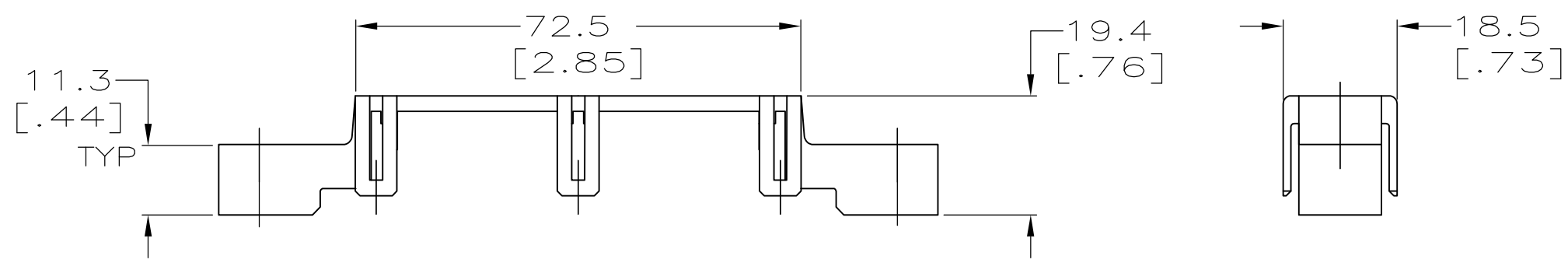
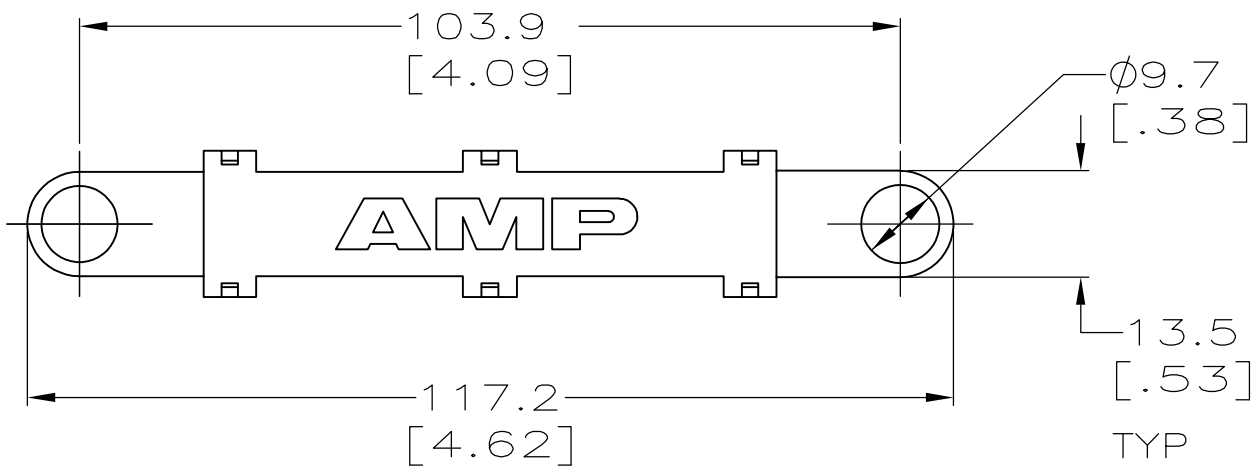


THIS DRAWING IS UNPUBLISHED. RELEASED FOR PUBLICATION  
 © COPYRIGHT - BY TYCO ELECTRONICS CORPORATION. ALL RIGHTS RESERVED.

|     |      |           |     |                                      |           |     |      |
|-----|------|-----------|-----|--------------------------------------|-----------|-----|------|
| LOC | DIST | REVISIONS |     |                                      |           |     |      |
| GP  | 00   | P         | LTR | DESCRIPTION                          | DATE      | DWN | APVD |
|     |      | G         |     | REVISE PER 08-004947 ECO/ RTS 100612 | 24/MAR/08 | ECC | JS   |

AMPOWER Is a registered trademark of AMP Incorporated.



765250-1  
Part Number

|  |  |                  |             |            |                              |     |  |
|--|--|------------------|-------------|------------|------------------------------|-----|--|
| THIS DRAWING IS A CONTROLLED DOCUMENT. |  | DWN              | D. SZCZESNY |            | Tyco Electronics Corporation |     |  |
|  |  | CHK              | -           |            | Harrisburg, PA 17105-3608    |     |  |
| DIMENSIONS:<br>mm                      |  | APVD             | -           |            | NAME                         |     |  |
| TOLERANCES UNLESS OTHERWISE SPECIFIED: |  | PRODUCT SPEC     | -           |            | AMPOWER Wave Crimp System    |     |  |
| 0 PLC ± -                              |  | APPLICATION SPEC | 108-1319    |            | STRAIN RELIEF,               |     |  |
| 1 PLC ± -                              |  | SIZE             | CAGE CODE   | DRAWING NO | DRAWER CONNECTOR             |     |  |
| 2 PLC ± 0.5 [.01]                      |  | 114-49005        | A3          | 00779      | -                            |     |  |
| 3 PLC ± 0.25 [.005]                    |  | WEIGHT           | -           |            | RESTRICTED TO                |     |  |
| 4 PLC ± -                              |  | CUSTOMER DRAWING |             | SCALE      | SHEET                        | REV |  |
| ANGLES ± -                             |  |                  |             | FULL       | 1 OF 1                       | G   |  |
| FINISH                                 |  |                  |             |            |                              |     |  |
| GLASS FILLED NYLON, BLK                |  |                  |             |            |                              |     |  |