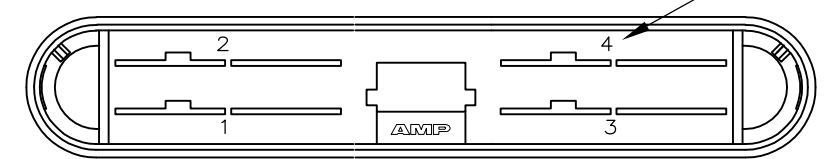
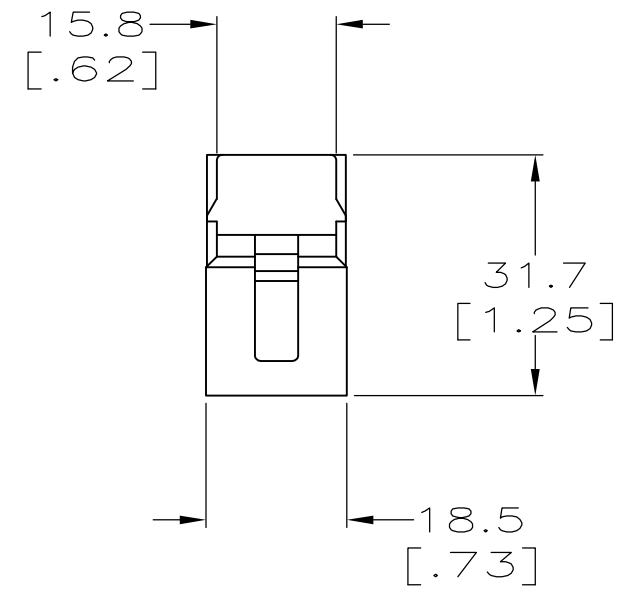
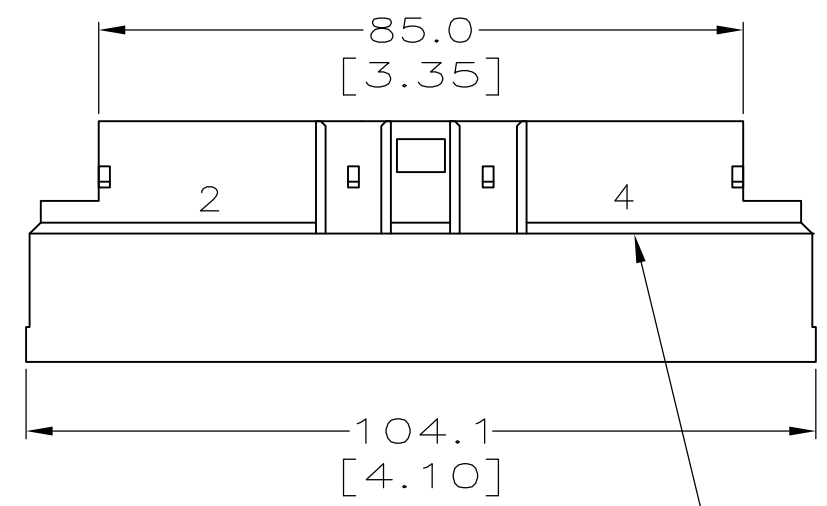
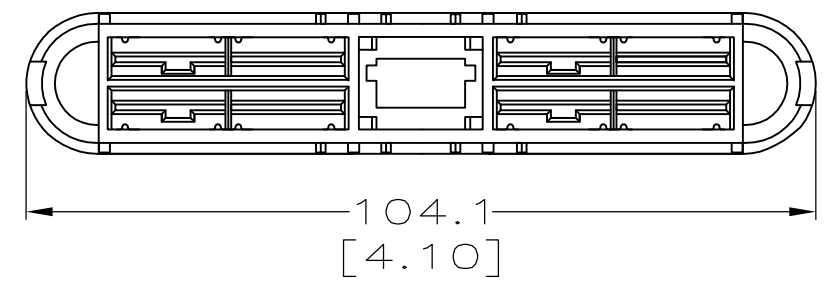


THIS DRAWING IS UNPUBLISHED. RELEASED FOR PUBLICATION
 © COPYRIGHT - BY TYCO ELECTRONICS CORPORATION. ALL RIGHTS RESERVED.

LOC	DIST	REVISIONS			
P	LTR	DESCRIPTION	DATE	DWN	APVD
GP	00				
	J	REVISE PER 08-004947 ECO/RTS 100612	24/MAR/08	ECC	JS

AMPOWER Is a registered trademark of AMP Incorporated.



CONTACT CAVITY IDENTIFIERS

765224-1

THIS DRAWING IS A CONTROLLED DOCUMENT.		DWN 02-05-91 D. BABOW	Tyco Electronics Corporation Harrisburg, PA 17105-3608	
DIMENSIONS: mm [INCHES]		CHK 02-05-91 D. SZCZESNY	NAME	
TOLERANCES UNLESS OTHERWISE SPECIFIED:		APVD - D. PETRIE 02-05-91	AMPOWER Wave Crimp System RECEPTACLE, DRAWER CONN, W/SENSE LINES	
0 PLC ± -		PRODUCT SPEC J. LUCIUS 02-05-91	SIZE CAGE CODE DRAWING NO RESTRICTED TO	
1 PLC ± -		APPLICATION SPEC 108-1319	A3 00779 C-765224	
2 PLC ± 0.50 [.010]		WEIGHT -	SCALE FULL SHEET 1 OF 1 REV J	
3 PLC ± 0.25 [.005]		CUSTOMER DRAWING		
4 PLC ± -				
ANGLES ± -				
MATERIAL BLACK THERMOPLASTIC				
FINISH -				