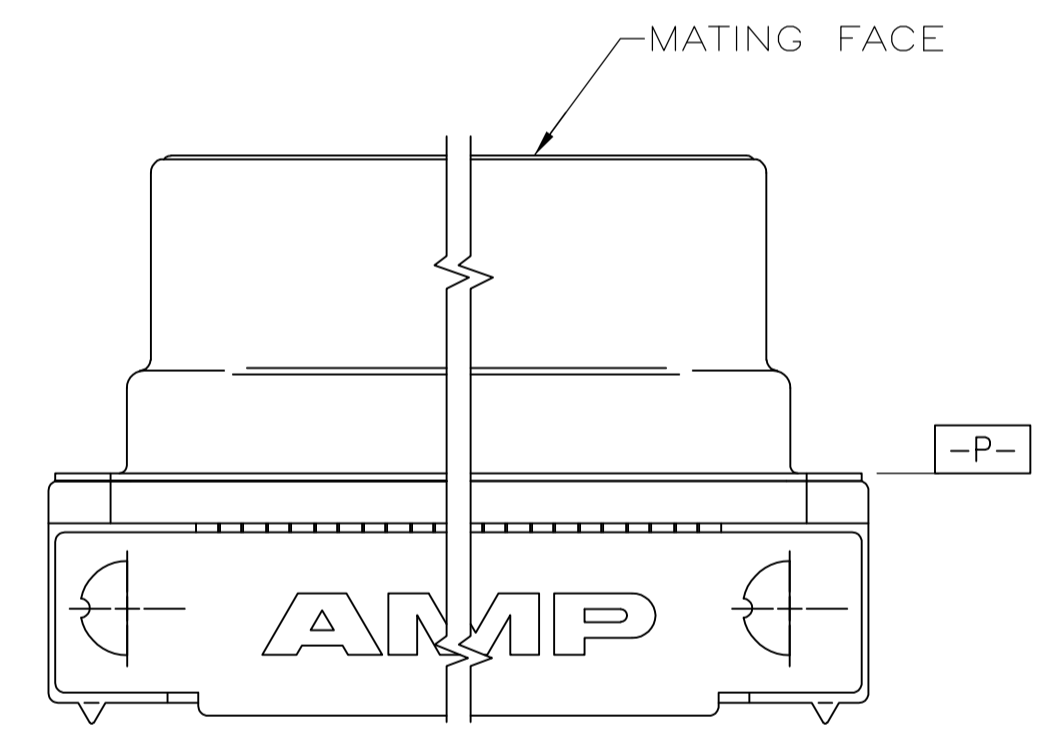
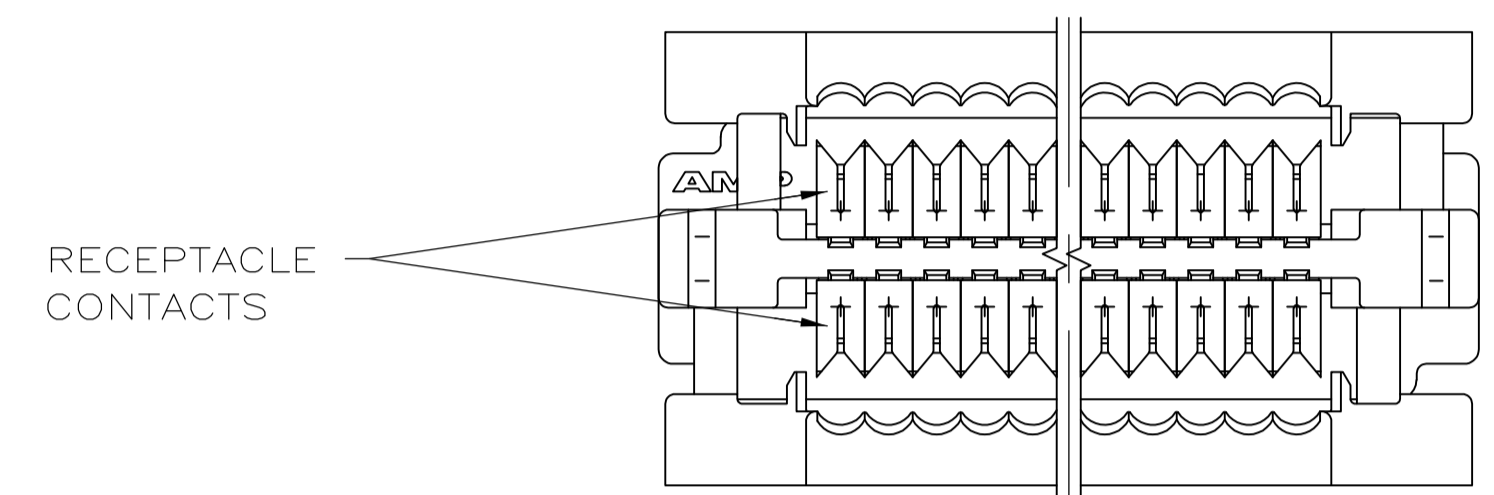
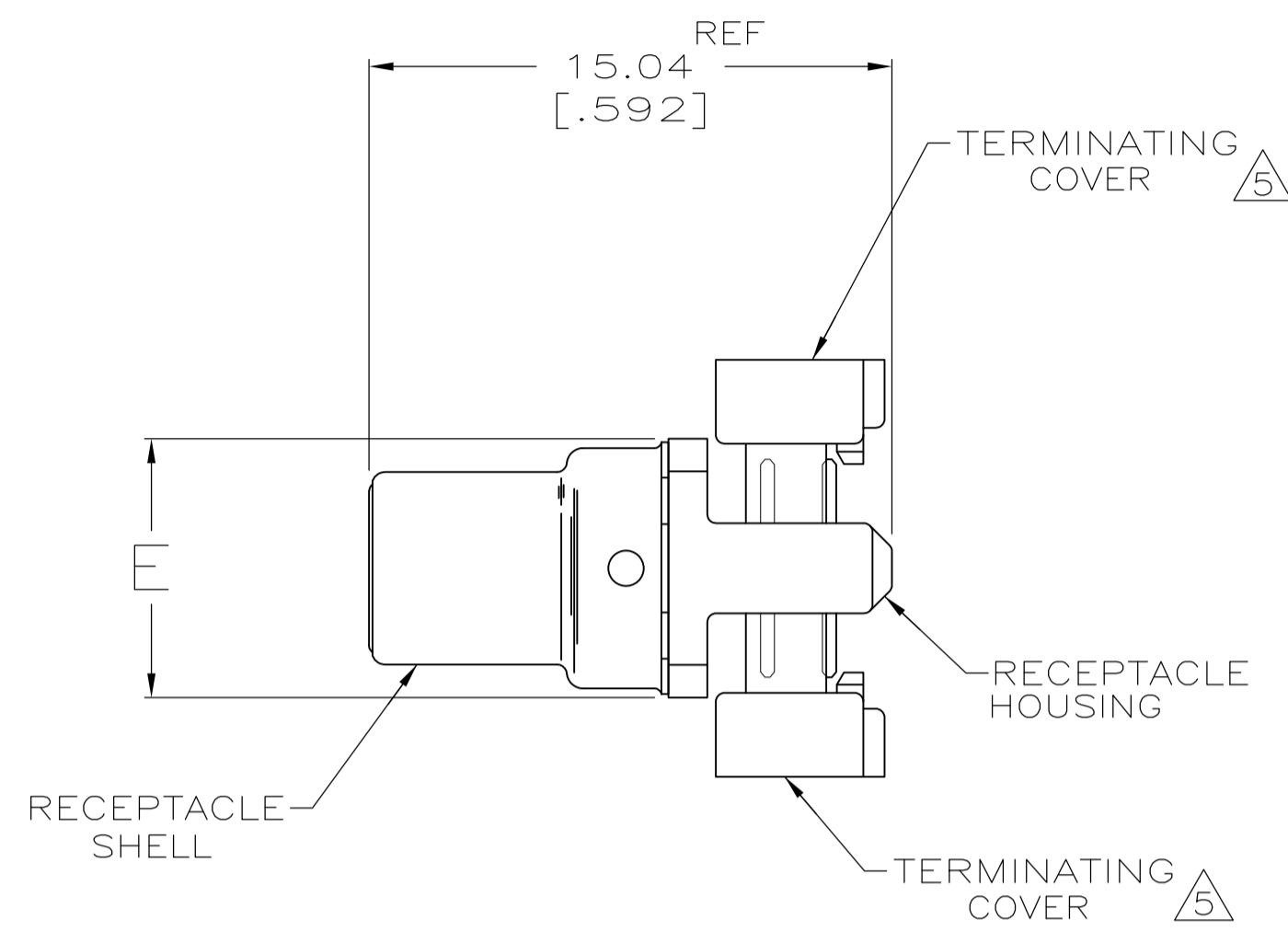
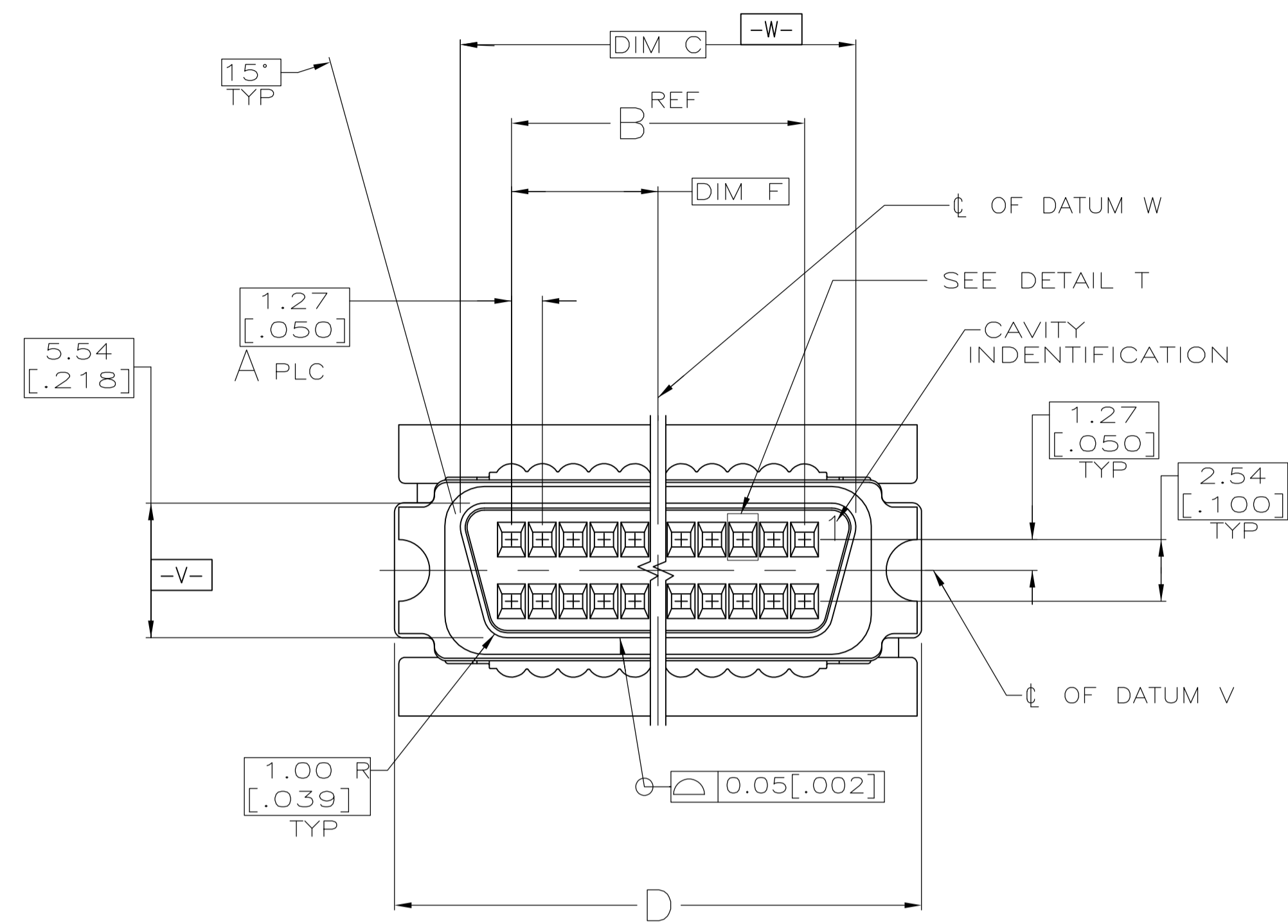
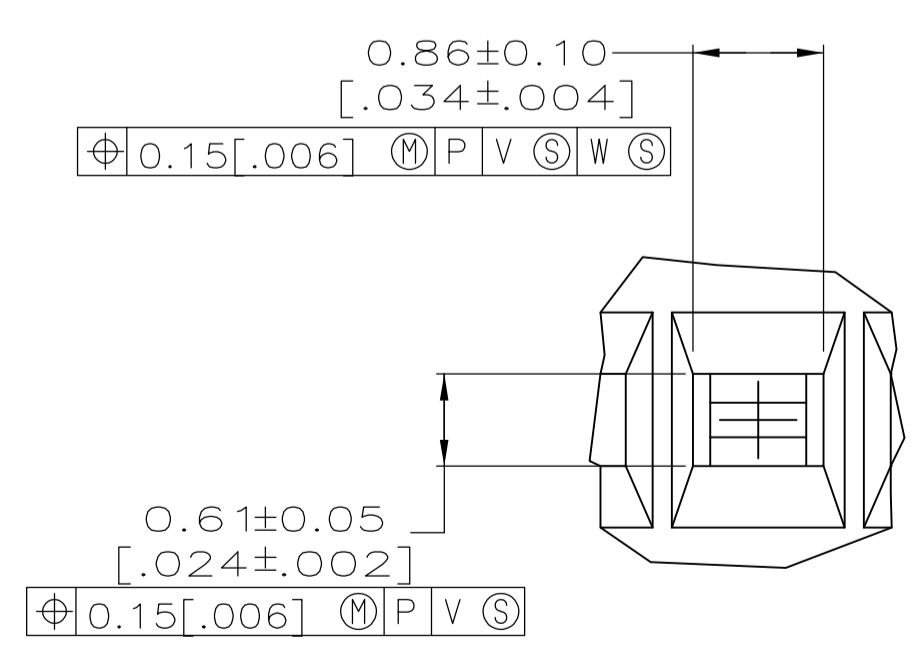


LOC		DIST		REVISIONS				
GP	00	F	LTR	DESCRIPTION	DATE	DMN	APVD	
		R		REVISED PER ECO-11-001216	08FEB2011	CJV	SLB	



- 1 MATERIAL:
RECEPTACLE CONTACTS - PHOSPHOR BRONZE
RECEPTACLE SHELL - STEEL
RECEPTACLE HOUSING & TERMINATING COVERS - UL V-0 RATED THERMOPLASTIC; COLOR: BLACK.
- 2 FINISH:
RECEPTACLE CONTACTS - PLATED WITH EITHER 0.76µm [.000030] MIN GOLD PLATE OR GOLD FLASH OVER PALLADIUM NICKEL PLATE, 0.76µm [.000030] MIN TOTAL IN LOCALIZED PLATE AREA, 1.27µm [.000050] MIN TIN-LEAD IN TERMINATION AREA, ALL OVER 1.27µm [.000050] MIN NICKEL.
- 3 FINISH:
RECEPTACLE SHELL - 0.00508 [.000200] MINIMUM BRIGHT NICKEL PLATE OVER 0.00127 [.000050] MINIMUM COPPER.
- 4. RECOMMENDED WIRE:
28 AWG OR 30 AWG, SOLID OR 7 STRANDED, PVC INSULATION WITH A 0.74 - 0.91 [.029 - .036] INSULATION DIA.
- 5 TERMINATING COVERS ARE PACKAGED SEPERATELY.
- 6 FINISH:
RECEPTACLE CONTACTS - PLATED WITH EITHER 0.76µm [.000030] MIN GOLD PLATE OR GOLD FLASH OVER PALLADIUM NICKEL PLATE, 0.76µm [.000030] MIN TOTAL IN LOCALIZED PLATE AREA, 3.00µm [.000118] MIN TIN IN TERMINATION AREA, ALL OVER 1.27µm [.000050] MIN NICKEL.
- 7 OBSOLETE PARTS: OBSOLETE CIS STREAMLINING PER D.RENAUD/D.SINISI



CONTACT FINISH	F	E	D	C	B	A	NO OF POSN	PART NO
SUPERSEDED BY 5749699-7	20.96 [.825]	7.44 [.293]	51.54 [2.029]	46.13 [1.816]	41.91 [1.650]	33	68	1-749699-1
7 OBSOLETE	15.24 [.600]	7.44 [.293]	40.11 [1.579]	34.70 [1.366]	30.48 [1.200]	24	50	1-749699-0
OBSOLETE	10.80 [.425]	7.44 [.293]	31.22 [1.229]	25.81 [1.016]	21.59 [.850]	17	36	749699-9
SUPERSEDED BY 5749699-8	31.12 [1.225]	9.47 [.373]	71.86 [2.829]	64.45 [2.616]	62.23 [2.450]	49	100	749699-8
SUPERSEDED BY 5749699-7	20.96 [.825]	7.44 [.293]	51.54 [2.029]	46.13 [1.816]	41.91 [1.650]	33	68	749699-7
SUPERSEDED BY 5749699-5	15.24 [.600]	7.44 [.293]	40.11 [1.579]	34.70 [1.366]	30.48 [1.200]	24	50	749699-5
	12.06 [.475]	7.44 [.293]	33.76 [1.329]	28.35 [1.116]	24.13 [.950]	19	40	749699-4
OBSOLETE	7.62 [.300]	7.44 [.293]	24.87 [.979]	19.46 [.766]	15.24 [.600]	12	26	749699-2

THIS DRAWING IS A CONTROLLED DOCUMENT.

DIMENSIONS: mm [INCHES]	TOLERANCES UNLESS OTHERWISE SPECIFIED:	0 PLC ± -	1 PLC ± -	2 PLC ± 0.13 [.005]	3 PLC ± -	4 PLC ± -	ANGLES ± -
-------------------------	--	-----------	-----------	---------------------	-----------	-----------	------------

MATERIAL: 1

FINISH: CONTACTS: SEE TABLE SHELLS: SEE NOTE 3

APPROVED: M. MCCAFFREY 05/31/89, W. WAYNE DAVIS 06/02/89

NAME: WAYNE DAVIS

PRODUCT SPEC: 108-1228

APPLICATION SPEC: 114-40029

WEIGHT: -

SIZE: A1

SCALE: 4:1

SHEET: 1 of 1

REV: R

RESTRICTED TO: -

CUSTOMER DRAWING

Tyco Electronics Corporation, Harrisburg, PA 17105-3608

KIT, RECEPTACLE CABLE CONNECTOR ASSEMBLY, AMPLIMITE .050 Series