

4

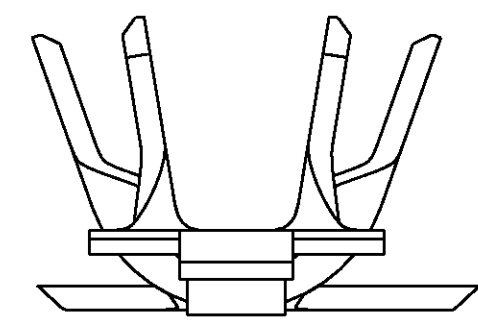
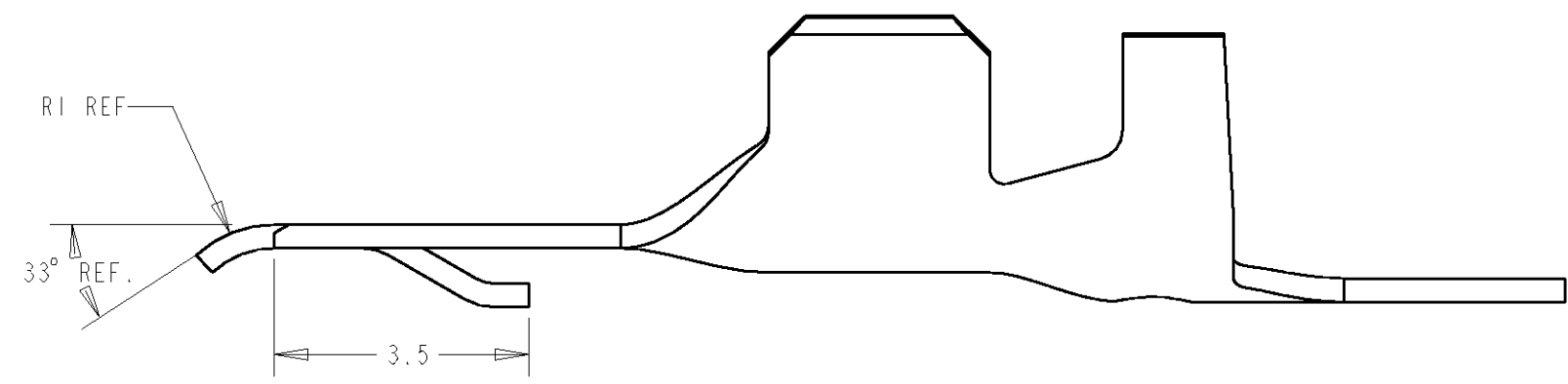
3

2

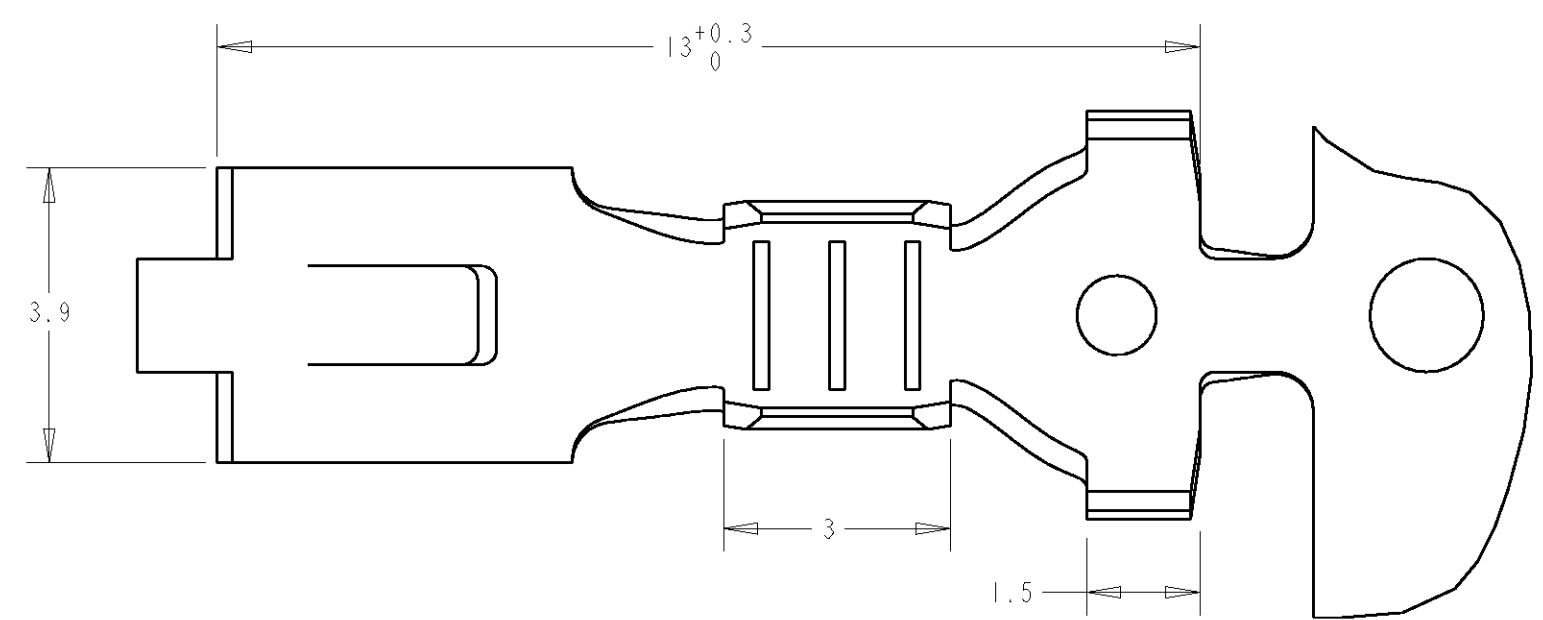
1

THIS DRAWING IS UNPUBLISHED. PLANO NO PUBLICADO
 RELEASED FOR PUBLICATION LIBRE DE SER PUBLICADO .19
 BY AMP INCORPORATED. ALL RIGHTS RESERVED. TODOS LOS DERECHOS RESERVADOS.
 LOS PRODUCTOS AMP ESTAN CUBIERTOS POR PATENTES ACTUALES O PENDIENTES

LOC	DIST	REVISIONS			
P	LTR	DESCRIPTION	DATE	DWN	APVD
		DESCRIPCION	FECHA	DIB	APR
	B1	PRELIM. REMOVED ES00-0143-98	09OCT98	A.C	L.B
	B2	CORRECT MTL. AND FINISH	30JUL09	RS	LB



SCALE 10:1



WIRE RANGE= 0.5 - 2.0 mm²
 INSULATION RANGE= 1.6 - 2.7 mm
 (for single wire seal use PN 347874)

MATERIAL THICKNESS = 0.4 mm

-1 AS SHOWN

THIS DRAWING IS A CONTROLLED DOCUMENT FOR AMP INCORPORATED. IT IS SUBJECT TO CHANGE AND THE CONTROLLING ENGINEERING ORGANIZATION SHOULD BE CONTACTED FOR THE LATEST REVISION. ESTE PLANO ES UN DOCUMENTO CONTROLADO DE AMP INCORPORATED Y PUEDE SER MODIFICADO. PARA LA ULTIMA REVISION. CONTACTAR CON LA ORGANIZACION DE CONTROL DE INGENIERIA.		DWN /DIB A. CARBÓ 01JAN98	AMP AMP Española, S.A. Barcelona, Spain
DIMENSIONS: DIMENSIONES mm 		CHK /COMP L. BATLLÓ 06FEB98	
TOLERANCES UNLESS OTHERWISE SPECIFIED: TOLERANCIAS POR OMISION 0 PLC /LUG ±0.2 1 PLC /LUG ±0.2 2 PLC /LUG ±0.1 3 PLC /LUG ± 4 PLC /LUG ±0.1000 ANGLES /ANGULOS ±		APVD /APR L. BATLLÓ 06FEB96	NAME TITULO -
MATERIAL PH. BRONZE		PRODUCT SPEC ESPEC PRODUCTO 108-22073	TERMINAL PARA ALUMBRADO MATRICULA TERMINAL CAR NUMBER PLATE LIGHTING
FINISH ACABADO PRE-TIN		APPLICATION SPEC ESPEC APLICACION 114-22009	SIZE TAM A3 CAGE CODE CODIGO 00779 DRAWING NO PLANO NO C=737899
WEIGHT PESO 0.51 gr		CUSTOMER DRAWING /PLANO DE CLIENTE	SCALE ESCALA 10:1 SHEET HOJA 1 OF DE 1 REV B2