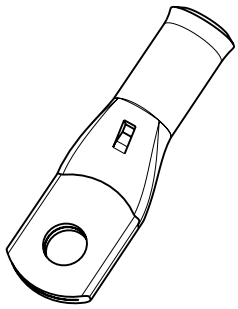


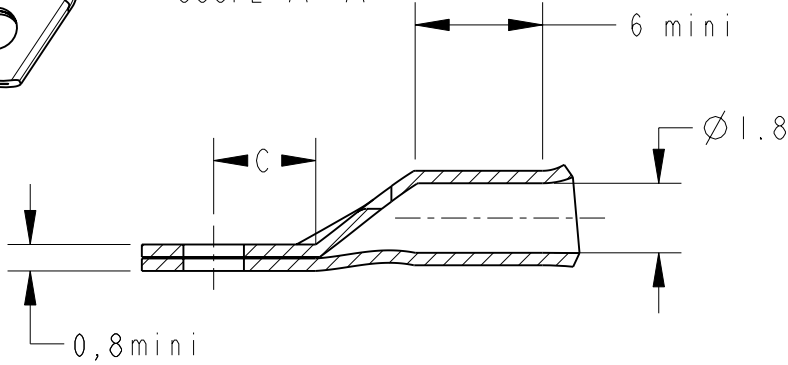
LOC
FH

DIST
00

REVISIONS					
P	LTR REV	DESCRIPTION MODIFICATIONS	DATE	DWN DESS.	APVD APP.
	E	MISE A JOURS / AJOUT NOTA	07DEC2009	BG	GP
	F	ECR-II-018538	07SEP2011	LP	NA
	G	ECR-II-018702	09SEP2011	LP	NA



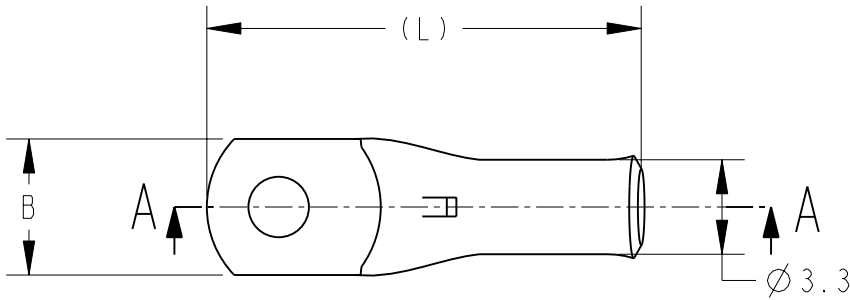
COUPE A-A



Inspection hole



Ces produits répondent à la norme NFC 20-130.
 These products are NFC 20-130 compliant.



(L)	C	B	ØA	DESCRIPTION	PART NUMBER
17	4,5	6	3,2	XCT 1,5-3	710971-1
17	5	6,5	4,3	XCT 1,5-4	710972-1
18	5,5	7,5	5,3	XCT 1,5-5	710973-1
19	6	9	6,4	XCT 1,5-6	711674-1

- 1 - MATERIAL = TINNED COPPER
- 2 - Marking in depth: section-hole +
- 3 - CABLE SECTION = 15-16 AWG or 1,5 mm²
- 4 - CRIMPING TOOLS HNI

20


RELEASED FOR PUBLICATION
 LIBRE A LA DIFFUSION

ALL RIGHTS RESERVED.
 TOUS DROITS RESERVES.

THIS DRAWING IS UNPUBLISHED.
 DIFFUSION RESTREINTE

© COPYRIGHT 20

TOLERANCES UNLESS OTHERWISE SPECIFIED: -
 TOLERANCES NON SPECIFIEES: -

DIMENSIONS: mm		DWN/DESSINE D. LEGUY	15DEC00	MATERIAL MATIERE	CUIVRE	FINISH FINITION	ETAME	
<p>TOLERANCES UNLESS OTHERWISE SPECIFIED: TOLERANCES NON SPECIFIEES (SUIV NB DE DECIMALES):</p> <p>0 PLC/DEC: ±0 1 PLC/DEC: ±0 2 PLC/DEC: ±0 3 PLC/DEC: ±0 4 PLC/DEC: ±0</p> <p>ANGLES ±</p>		CHK/VERIFIE E. DEREY	-	 TE Connectivity				
		APVD/APPROUVE N. ALMEIDA	-					
		PRODUCT SPEC SPEC. PRODUIT	-	NAME TITRE	XCT 1,5 - ..			
		APPLICATION SPEC SPEC. APPLICATION	-	SIZE FORMAT	CAGE CODE	DRAWING NO No PLAN	RESTRICTED TO RESERVE A	
WEIGHT MASSE APPROX.		A4		00779	C=710971		-	
CUSTOMER DRAWING		/PLAN CLIENT		UNIQUEMENT POUR REFERENCE	SCALE ECHELLE - / -	SHEET FEUILLE 1	OF DE 1	REV G