

**SAFETY ORGANIZATIONS**

THIS FILTER HAS BEEN FORMALLY RECOGNIZED, CERTIFIED OR APPROVED BY THE LISTED AGENCY. THEREFORE, ALL TEST/REQUIREMENTS SPECIFIED IN THE LATEST REVISION OF THE FOLLOWING AGENCY STANDARDS HAVE BEEN MET:

 UL RECOGNIZED: UL 1283

 CSA CERTIFIED: CSA C22.2 No. 8

 VDE APPROVED: EN 60939-2

**OPERATING SPECIFICATIONS**

LINE CURRENT/VOLTAGE: 6 AMP, 120/250 VAC  
 CSA & VDE: 6 AMP/40°C, 250 VAC

OPERATING AMBIENT TEMP. RANGE: -10°C TO +40°C @ RATED CURRENT, I<sub>r</sub>.  
 IN AN AMBIENT, T<sub>a</sub>, HIGHER THAN 40°C, THE MAXIMUM OPERATING CURRENT, I<sub>o</sub>, IS AS FOLLOWS:

$$I_o = I_r \sqrt{\frac{100 - T_a}{60}}$$

LINE CURRENT/VOLTAGE: 6 AMP, 120/250 VAC  
 UL: 6 AMP/25°C, 120/250 VAC

OPERATING AMBIENT TEMP. RANGE: -10°C TO +25°C @ RATED CURRENT, I<sub>r</sub>.  
 IN AN AMBIENT, T<sub>a</sub>, HIGHER THAN 40°C, THE MAXIMUM OPERATING CURRENT, I<sub>o</sub>, IS AS FOLLOWS:

$$I_o = I_r \sqrt{\frac{100 - T_a}{75}}$$

LINE FREQUENCY: 50-60Hz

MAXIMUM LEAKAGE CURRENT, EACH LINE TO GROUND:  
 2µA @ 120V, 60Hz  
 5µA @ 250V, 50Hz

**RELIABILITY SPECIFICATIONS:**

STORAGE TEMPERATURE: -40°C TO +85°C  
 HUMIDITY: 21 DAYS @ 40°C 95% RH.  
 CURRENT OVERLOAD TEST: 6 TIMES I<sub>r</sub> FOR 8 SECONDS

**RECOMMENDED RECEIVING INSPECTION HIPOT:**

LINE TO GROUND: 1500 VAC FOR 1 MINUTE  
 LINE TO LINE: 1450 VDC FOR 1 MINUTE

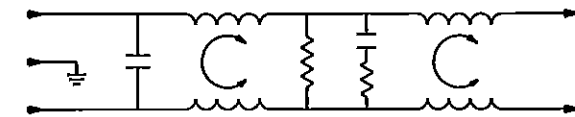
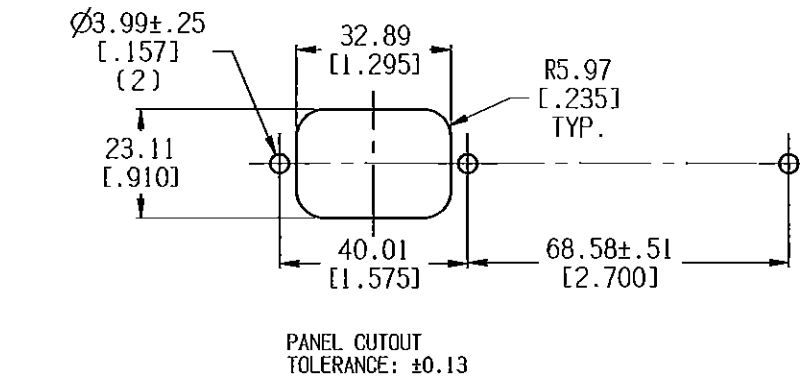
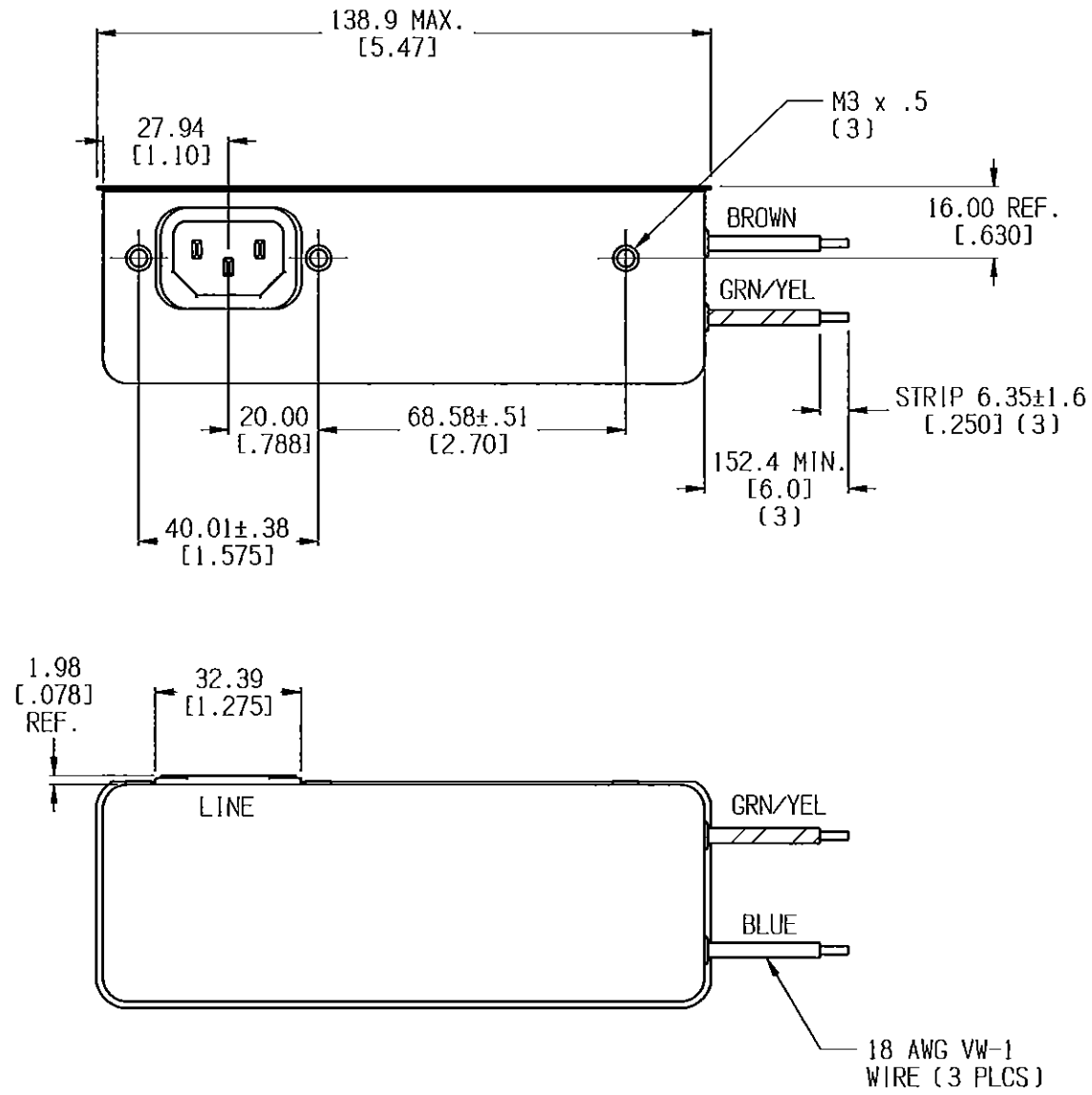
**FILTER APPROVAL:**

THE BEST WAY TO SELECT AND QUALIFY A FILTER IS FOR YOUR ENGINEERING TO TEST THE UNIT IN YOUR EQUIPMENT.

**TEST SPECIFICATIONS:**

INDUCTANCE: 48.8 mH NOMINAL  
 CAPACITANCE: (MEASURED @ 1KHz, 0.250VAC MAX., 25°C±1°C)  
 LINE TO GROUND: NA µF ±20%  
 LINE TO LINE: 1.97 µF ±20%  
 DISCHARGE RESISTOR: 165 KΩ  
 L/G AND L/L I.R.  
 NO DISCHARGE RESISTOR: 6000MΩ (MIN.) @ 100VDC, 20°C AND 50% RH

6EHQ8M			
EC #	APPR.	DDMMYY	REV.
14-015108	TAM	25OCT14	H



50 Ω - 50 Ω (MINIMUM) INSERTION LOSS												
FREQUENCY MHz	.01	.015	.02	.05	.15	.5	2	5	7	10	20	30
COMMON dB	24	27	29	39	42	28	36	30	30	24	16	15
DIFF. dB	6	4	10	43	70	75	75	65	50	55	50	40

PARTS SHALL COMPLY WITH TYCO ELECTRONICS 138-702 SPECIFICATION FOR HAZARDOUS SUBSTANCES

UNLESS OTHERWISE SPECIFIED TOLERANCE TO BE ±0.63 MATERIAL & FINISH: AS SUPPLIED

**TE** TE Connectivity

**CUSTOMER DRAWING**

DIMENSIONS IN MILLIMETERS  
 SCALE: 5/8  
 DATE: 01OCT193  
 DRAWING NUMBER: 6EHQ8M  
 REV: H

TE PART NO: 6609054-8  
 DATE: 01OCT193  
 DRAWING NUMBER: 6EHQ8M  
 REV: H

6EHQ8M H.cxd Rev Layer 2