

4

3

2

1

THIS DRAWING IS UNPUBLISHED.

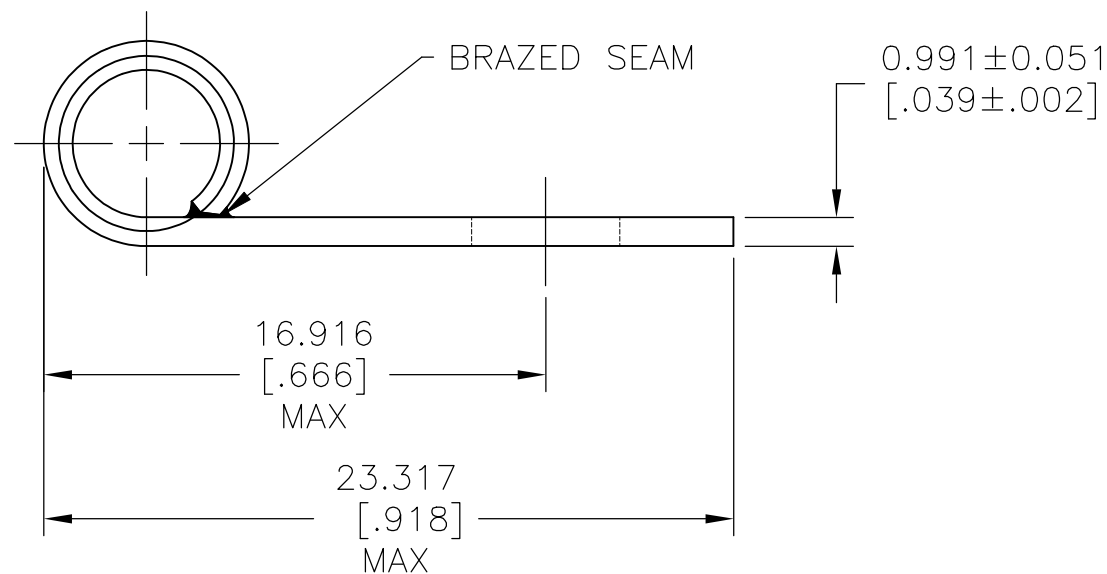
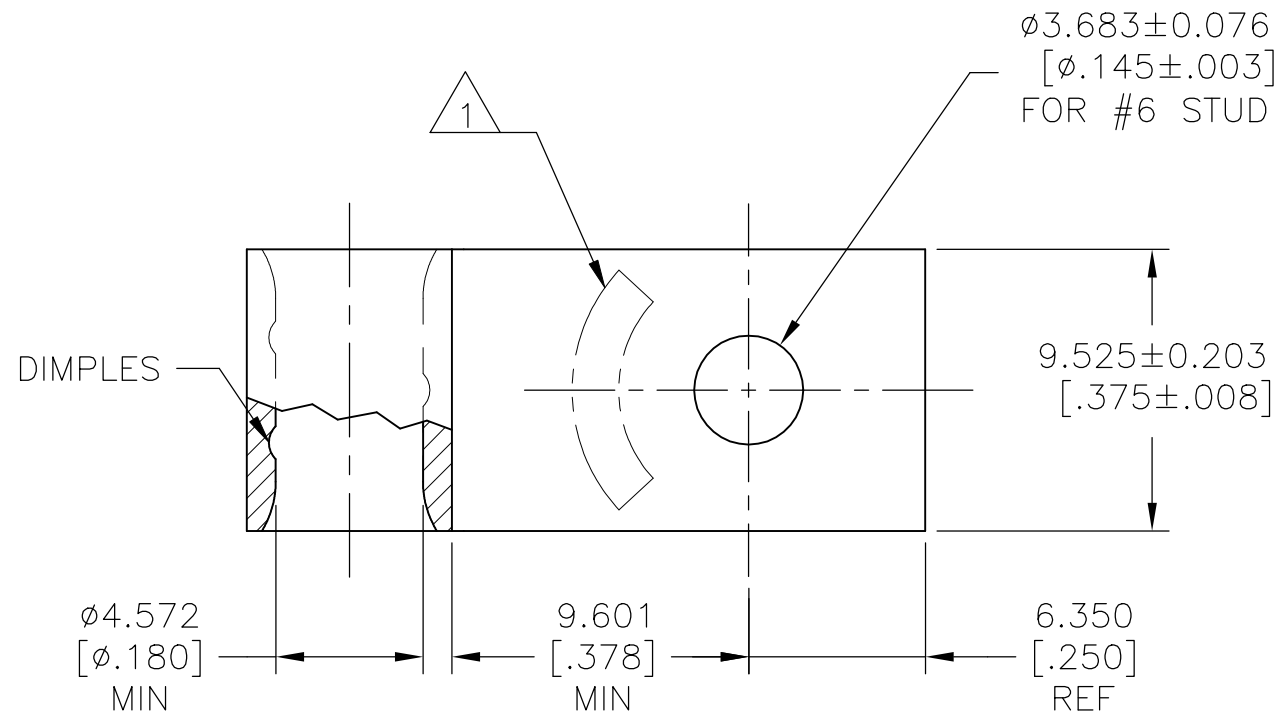
RELEASED FOR PUBLICATION

ALL RIGHTS RESERVED.

© COPYRIGHT - By -

REVISIONS

P	LTR	DESCRIPTION	DATE	DWN	APVD
	A	REVISED PER ECO-13-005700	03APR13	KH	DR
	A1	REVISED PER ECO-18-009930	25JUN2018	RS	DR



100	LOOSE PIECE	696611-1
QTY	PACKAGE TYPE	PART NO

AMP INCORPORATED
CUSTOMER SERVICE SYSTEMS

MAX RECOMMENDED OPERATING TEMPERATURE:

170°C[338°F]

VOLTAGE RATING:

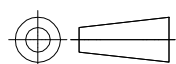
N/A

CIRCULAR MIL AREA:

6.64-10.5mm²[13,100-20,800]
SOLID OR STRANDED

THIS DRAWING IS A CONTROLLED DOCUMENT.

DIMENSIONS:
mm [INCHES]



TOLERANCES UNLESS OTHERWISE SPECIFIED:

- 0 PLC ± -
- 1 PLC ± -
- 2 PLC ± -
- 3 PLC ± 0.203[.008]
- 4 PLC ± -
- ANGLES ± 1°

MATERIAL



FINISH



DWN 29MAY03

jr ruth

CHK 29MAY03

MJ SPICER

APVD 29MAY03

MJ SPICER

PRODUCT SPEC

APPLICATION SPEC

WEIGHT

CUSTOMER DRAWING



TE Connectivity Ltd.

NAME
TERMINAL, RING TONGUE,
FLAG, SOLISTRAND
WIRE SIZE, 8 AWG

SIZE CAGE CODE DRAWING NO RESTRICTED TO

A3 00779 C-696611

SCALE 4:1 SHEET 1 OF 1 REV A1