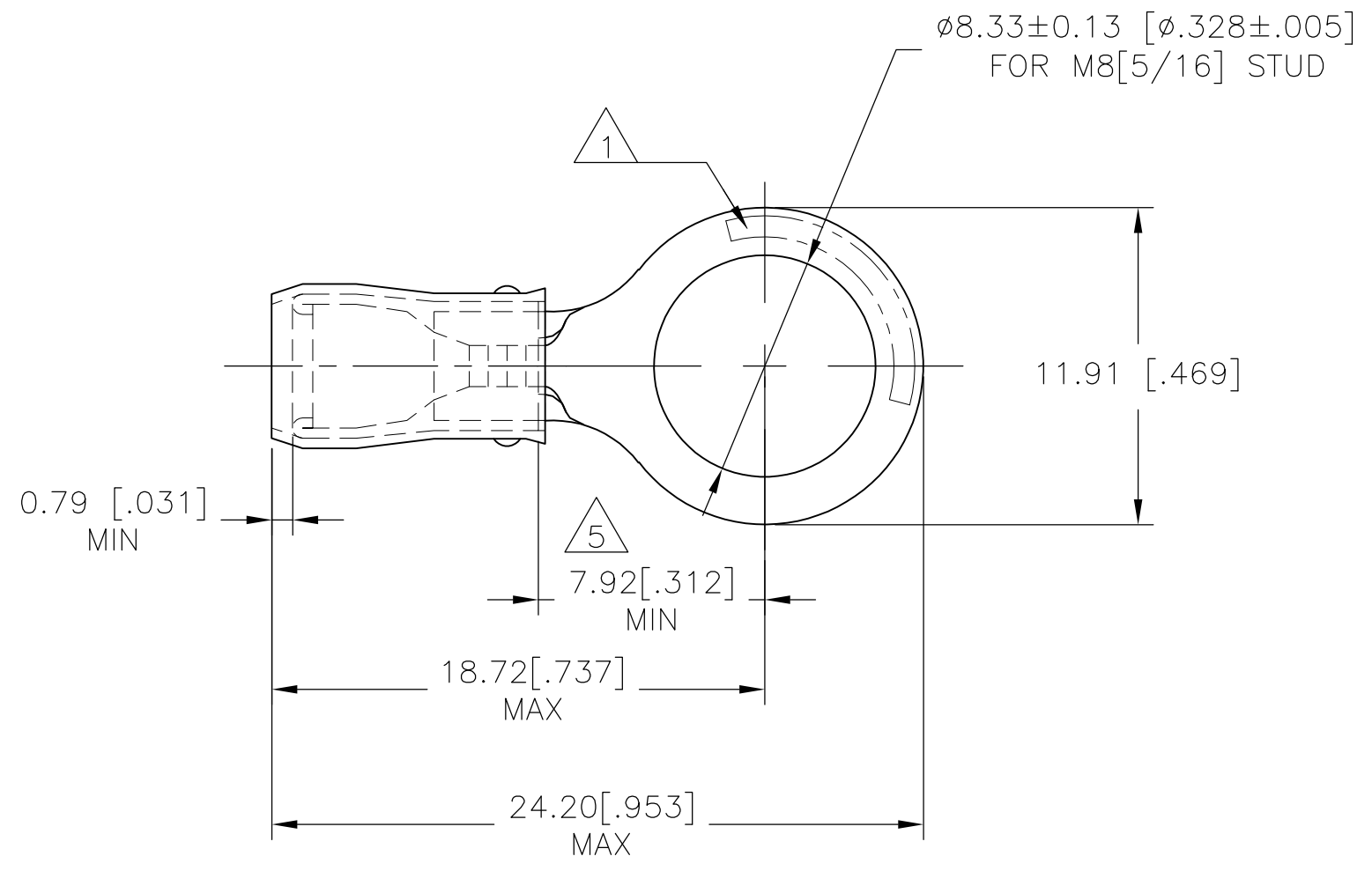


THIS DRAWING IS UNPUBLISHED. RELEASED FOR PUBLICATION  
 © COPYRIGHT - By - ALL RIGHTS RESERVED.

REVISIONS					
P	LTR	DESCRIPTION	DATE	DWN	APVD
	A	REVISED PER ECR-16-016577	13DEC2016	RS	DR

**AMP**  
WIRE RANGE

20-16 AWG  
SOLID OR STRANDED



- 1 STAMP AMP 20-16HD\* APPROX AS SHOWN.
- 2 WIRE INSULATION DIA:  $\phi 2.67-3.81$  [ $\phi .105-.150$ ]
- 3 TONGUE MATERIAL THK: 1.07 [.042] MAX.
- 4 PRELIMINARY - NOT FOR PRODUCTION.
- 5 APPLIES FROM EDGE OF METAL WIRE BARREL TO CENTER OF STUD HOLE.

4000	ON TAPE, REEL	696134-2
1000	LOOSE PIECE	4 696134-1
QUANTITY	PACKAGE TYPE	PART NUMBER

**AMP INCORPORATED**  
CUSTOMER SERVICE SYSTEMS

FOR ADDITIONAL PRODUCT INFORMATION OR COPIES OF DRAWINGS AND TECHNICAL DOCUMENTS  
 PRODUCT INFORMATION CENTER  
 1-800-522-6752

FOR APPLICATION TOOLING INFORMATION  
 TOOLING ASSISTANCE CENTER  
 1-800-722-1111

FOR ORDER ENTRY  
 1-800-526-5142

MAX RECOMMENDED OPERATING TEMPERATURE:  
 105° C MAX [221° F]

VOLTAGE RATING:  
 300 V MAX

WIRE CROSS SECTIONAL AREA RANGE:  
 0.50-1.42mm<sup>2</sup> [992-2,800] CIR MILS  
 SOLID OR STRANDED

THIS DRAWING IS A CONTROLLED DOCUMENT FOR AMP INCORPORATED. IT IS SUBJECT TO CHANGE AND THE CONTROLLING ENGINEERING ORGANIZATION SHOULD BE CONTACTED FOR THE LATEST REVISION.

THIS DRAWING IS A CONTROLLED DOCUMENT.

DIMENSIONS:  
mm [INCHES]

TOLERANCES UNLESS OTHERWISE SPECIFIED:

0 PLC	± -
1 PLC	± -
2 PLC	± 0.13[.005]
3 PLC	± -
4 PLC	± -
ANGLES	± -

MATERIAL: COPPER ASTM B-152 SLEEVE, BLUE NYLON

FINISH: TIN PLATE PER ASTM B545

DWN JR RUTH 19NOV99  
 CHK RE HERSEY 19NOV99  
 APVD T MICHELUTTI 19NOV99

PRODUCT SPEC: NOT AVAILABLE  
 APPLICATION SPEC: NOT AVAILABLE  
 WEIGHT: -

**STE** TE Connectivity

NAME: TERMINAL, RING TONGUE, PIDG™ WIRE SIZE, 20-16HD AWG

SIZE	CAGE CODE	DRAWING NO	RESTRICTED TO
A3	00779	C-696134	-

CUSTOMER DRAWING SCALE 4:1 SHEET 1 OF 1 REV A