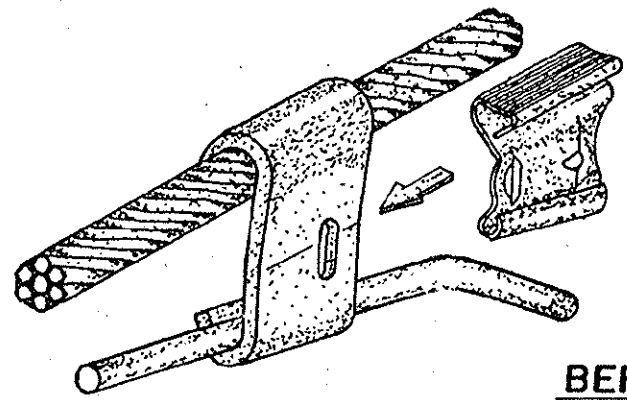
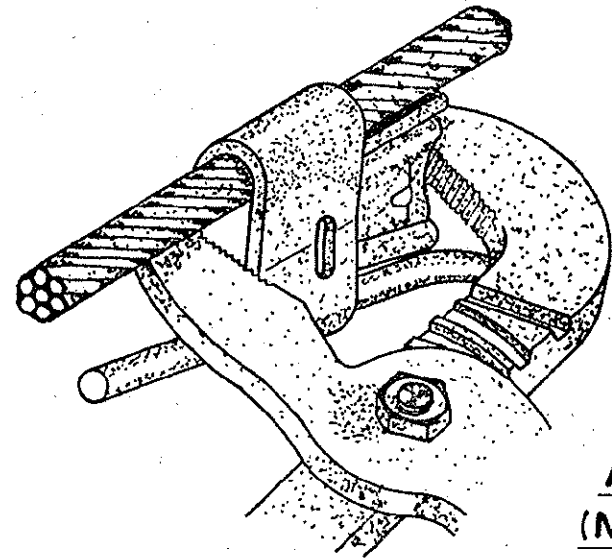


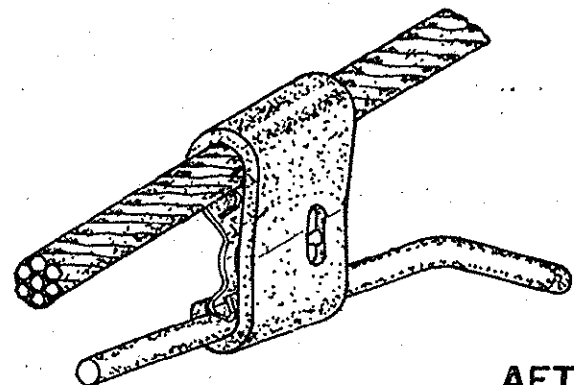
10F1
C 688 605



BEFORE APPLICATION

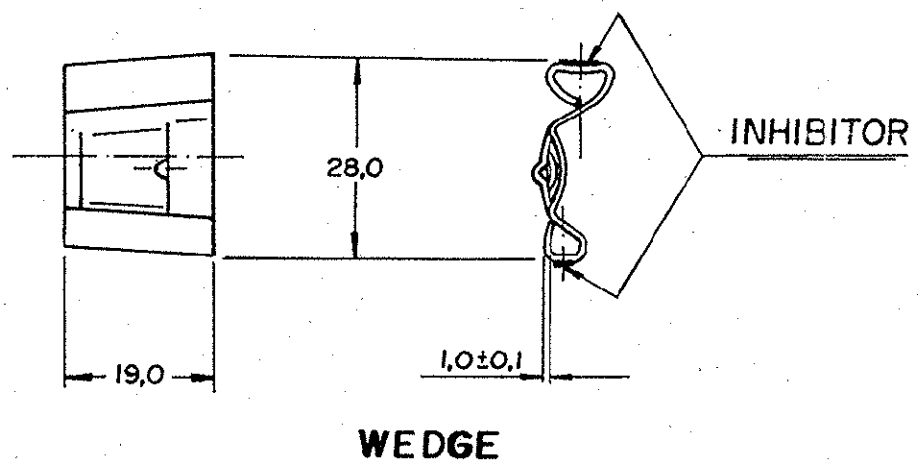
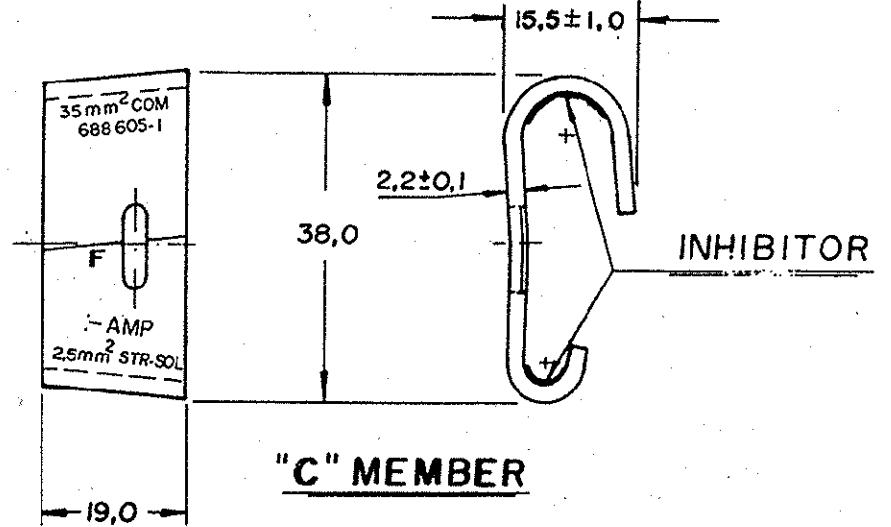


APPLICATION (NO SPECIAL TOOLS)



AFTER APPLICATION

DWG NO.		DO NOT SCALE		METRIC		3rd ANGLE PROJECTION	
		DIMENSIONS IN mm.					
REQ. PER ASSY	ITEM	DESCRIPTION	MATERIAL	FINISH			



⚠ - SUPPLIED IN INDIVIDUAL PLASTIC PACKAGING

7,20 — 9,10	5,60 — 8,33	1,74 — 5,10	TIN PLATED	BRASS	⚠	688 605 - 1
SUM	TOP GROOVE	BOTTOM GROOVE	FINISH	MATERIAL	PACKAGING	PART NUMBER
WIRE DIAMETER LIMITS			THIS DRAWING IS UNPUBLISHED RELEASED FOR PUBLICATION			
CUSTOMER DWG for REFERENCE ONLY			© COPYRIGHT 19 BY AMP DO BRASIL LTDA S.P. ALL INTERNATIONAL RIGHTS RESERVED AMP PRODUCTS MAY BE COVERED BY U.S. AND FOREIGN PATENTS AND/OR PATENTS PENDING.			
			TOLERANCES UNLESS OTHERWISE STATED	INS DIA. RANGE	WIRE RANGE	SCALE
			DEC. ± 0,5			
			ANGLES ± 1°	AMP AMP do BRASIL LTDA. São Paulo, Brasil		
			DR. E. LOPES Ednei 08 JUN 95	DESCRIPTION UNIVERSAL DISTRIBUTION CONNECTOR ASSY TYPE "F"		
			CH. J. AVIEIRA 08 Jun 95			
			DE.			
			DR. ESFEIR 12 JUN 95			
ISS REVISION RECORD			APP. DATE	DWG NO.		SHEET
				A3 C 688 605		10F1