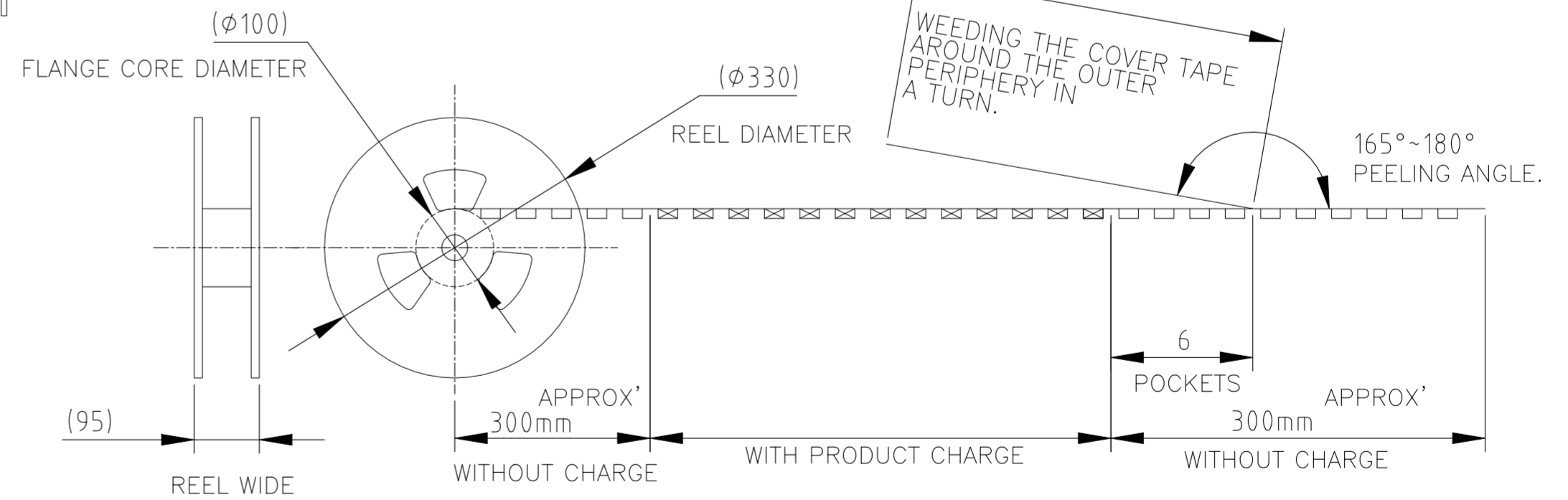
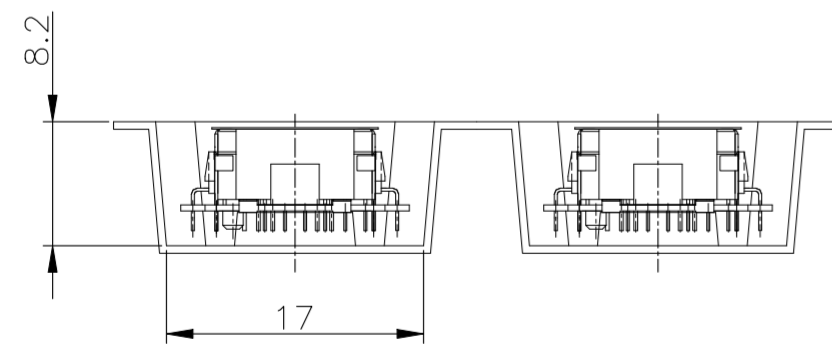
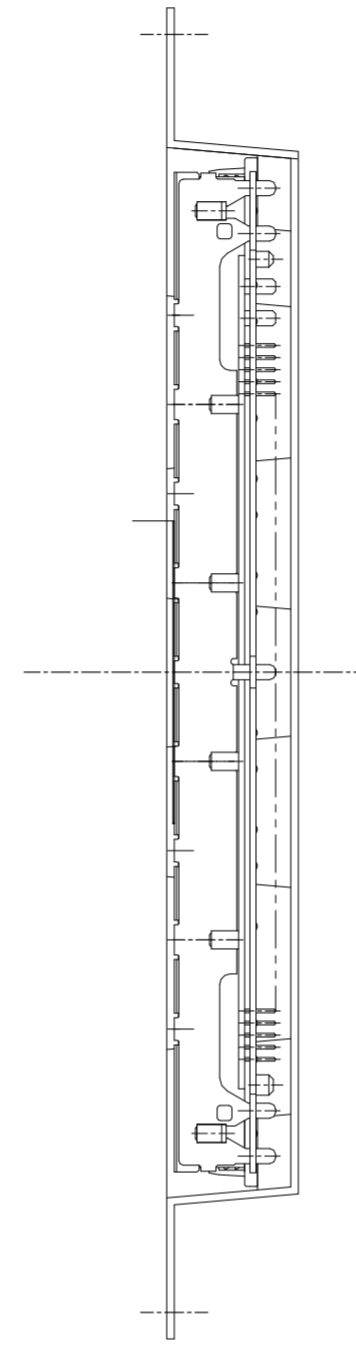
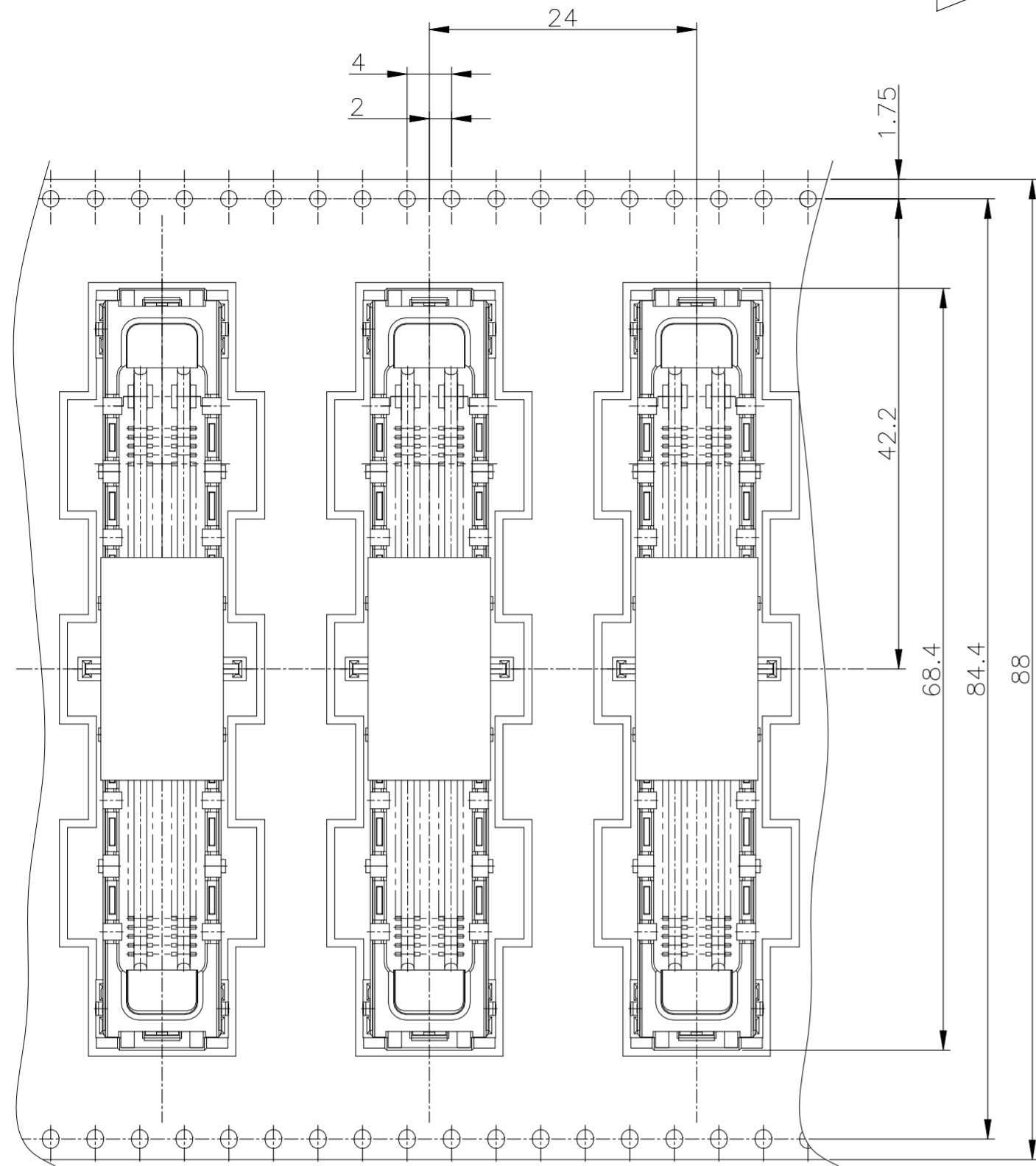



REVISIONS					
P	LTR	DESCRIPTION	DATE	DWN	APVD
B1		REVISED PER ECN-24-246486	12APR2024	AP	IT

DIRECTION OFF TOP OF REEL 

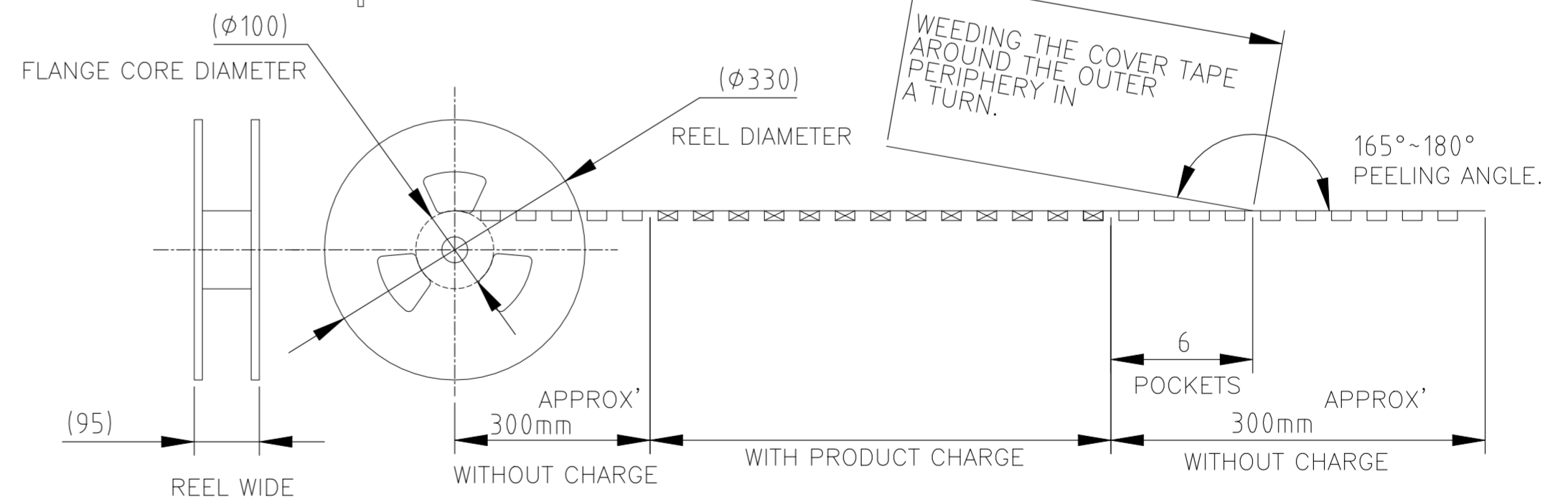
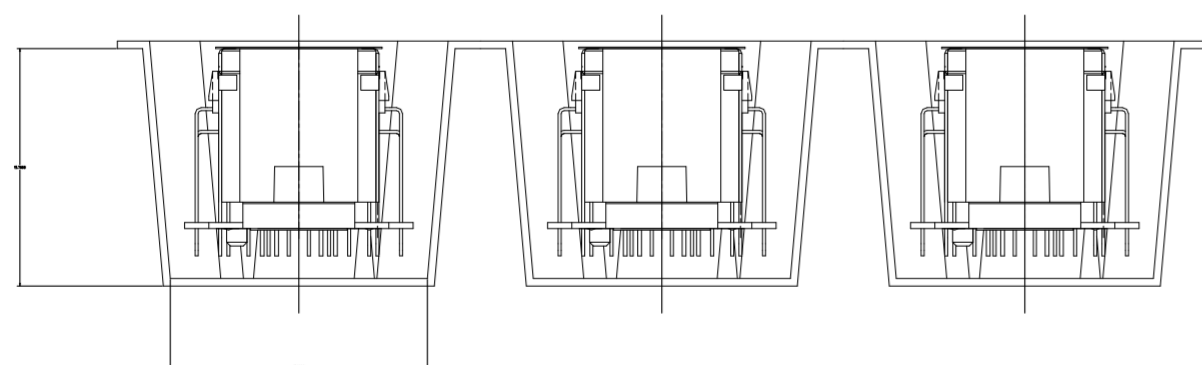
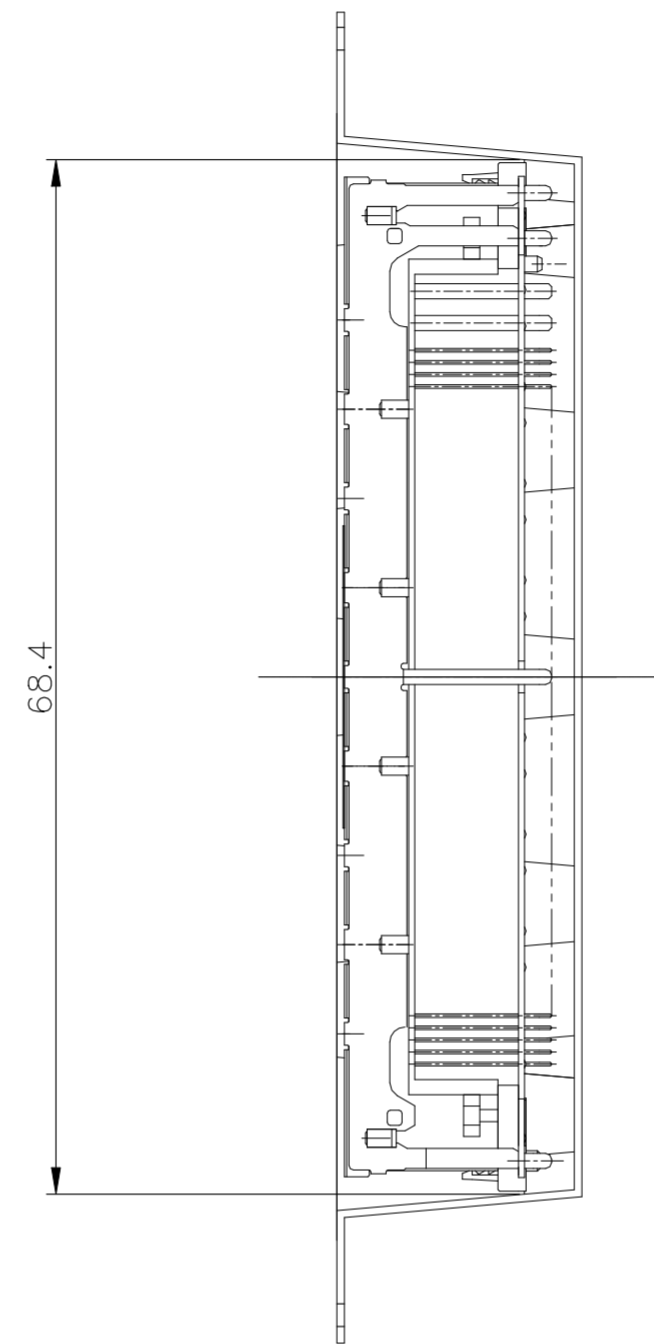
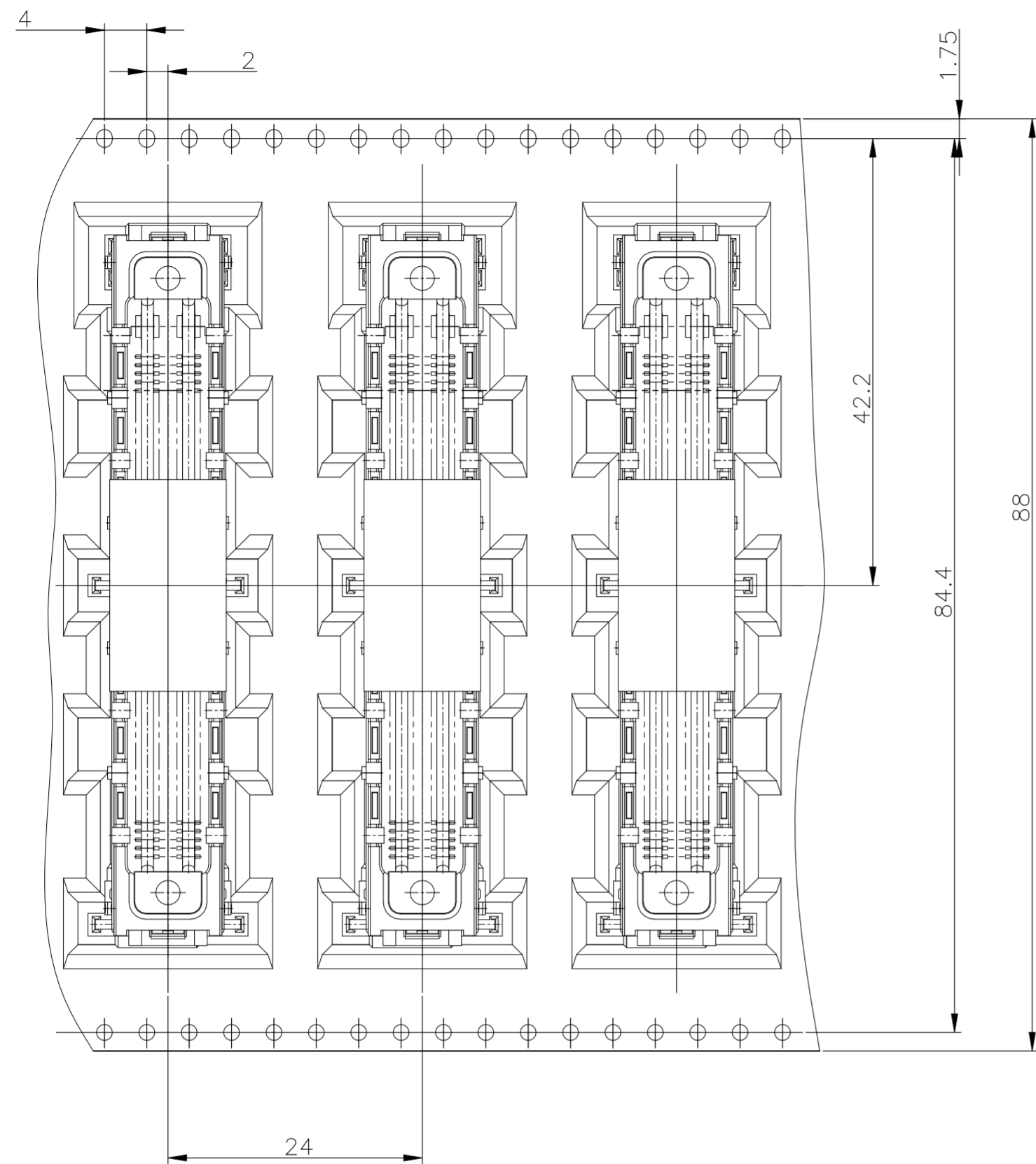


200EA/REEL	1-6674036-2	6827258-1
QTY	CONN P/N	P/N


THIS DRAWING IS A CONTROLLED DOCUMENT.		DWN LEO ZHOU 11APR05	 TE Connectivity Ltd.											
DIMENSIONS: MM		CHK T.KAWAMAE 11APR05												
TOLERANCES UNLESS OTHERWISE SPECIFIED:		APVD I.ENOMOTO 11APR05	NAME											
<table border="0"> <tr> <td>5 PLC</td> <td>± 0~10 : ±0.2</td> </tr> <tr> <td>1 PLC</td> <td>± 10~30 : ±0.25</td> </tr> <tr> <td>2 PLC</td> <td>± 30~100 : ±0.3</td> </tr> <tr> <td>3 PLC</td> <td>± 100~</td> </tr> <tr> <td>4 PLC</td> <td>± 3'</td> </tr> </table>		5 PLC	± 0~10 : ±0.2	1 PLC	± 10~30 : ±0.25	2 PLC	± 30~100 : ±0.3	3 PLC	± 100~	4 PLC	± 3'	PRODUCT SPEC 108-78190	EMBOSS ASSEMBLY 0.8 DOCKING CONNECTOR PLUG (240P + POWER 2P)	
5 PLC	± 0~10 : ±0.2													
1 PLC	± 10~30 : ±0.25													
2 PLC	± 30~100 : ±0.3													
3 PLC	± 100~													
4 PLC	± 3'													
MATERIAL		FINISH	SIZE A2	CAGE CODE 00779										
		WEIGHT	DRAWING NO C-6827258	RESTRICTED TO -										
		CUSTOMER DRAWING	SCALE NTS	SHEET 1 of 2										
			REV B1											

P	LTR	DESCRIPTION	DATE	DWN	APVD
-	-	SEE SHEET 1	-	-	-

DIRECTION OFF TOP OF REEL 



OBSOLETE	100EA/REEL	6674036-4	6827258-2
	QTY	CONN P/N	P/N

THIS DRAWING IS A CONTROLLED DOCUMENT.		DWN	 TE Connectivity Ltd.	
DIMENSIONS: MM		CHK		
TOLERANCES UNLESS OTHERWISE SPECIFIED:		APVD	NAME	
0 PLC ±		PRODUCT SPEC	EMBOSS ASSEMBLY	
1 PLC ±		APPLICATION SPEC	0.8 DOCKING CONNECTOR	
2 PLC ±		WEIGHT	SIZE	CAGE CODE
3 PLC ±		CUSTOMER DRAWING	A2	00779
4 PLC ±			SCALE	DRAWING NO
ANGLES ±		SCALE	C=6827258	-
FINISH		SCALE	NTS	SHEET 2 of 2
		REV	B1	