

Table with 3 columns: PART NUMBER, REV, FIRST USED. Rows include 680879-1 G 122500-1, 680879-2 G 565435-5, 680879-3 G 354500-1.

Table with 3 columns: Item, Description, Material. Rows include -1 LEADMAKER AIR FEED, -2 BENCH MODEL K AIR FEED, -3 BENCH MODEL G AIR FEED.

TERMINAL NAME: .250 ULTRA-POD POSI-LOCK RECEPTACLE. CRIMP DATA (TE TERMINAL) table with columns for PAD LTR, CRIMP HEIGHT, WIRE SIZE, CRIMP, SIZE, TYPE, RANGE, WIRE, INSUL, WIRE STRIP LENGTH, TERM APPL SPEC, FEED, APPL INSTRUCTION, SET UP GAGE, LAYOUT.

- 1 RECOMMENDED SPARE PARTS.
2 ITEM NOT SHOWN. (SEE A.I.SHEET 8095)
3 TOL ±.25
4 THIS KIT IS REQUIRED TO RUN THIS APPLICATOR ON THE AMPOMATOR.
5 USE SEALANT PN 1-23419-5 AS SHOWN.
6. SPRING LOADED TONKER (P/N 354853-1) MUST BE USED WHEN RUNNING THE APPLICATOR ON A LEADMAKER.

Main parts list table with columns: QTY, REF, PART NO, DESCRIPTION, ITEM NO. Includes items like WASHER, FLAT PRECISION, PIN, WIRE DISC, INSERT, GUARD, SCR., DRIVE 2 X .19, TAG, IDENTIFICATION, LUBRICATOR, NIPPLE, FILTER, MINATURE, TEE, FEMALE BRANCH, BUSHING, PIPE FITTING, BODY, QUICK CONNECT, TIE, WIRE, SHCS, 10-32 X 2.00, WASHER, LOCK #10, TUBING, NYLON .250 DIA, INSERT, COUPLING, GUARD ASS'Y, NUT, HEX, 5/16-24, SCR, SOC, SET (1/4-20X.63), MOUNT, FEED BRACKET, BALL, STEEL, SPRING, ASSIST, SPRING, COMPRESSION.

Main parts list table (continued) with columns: QTY, PART NO, DESCRIPTION, ITEM NO. Includes items like 23030-1 SCR, SOC HD CAP 6-32 X .25 LG, 690212-1 POST, RAM, 22480-5 WASHER, SPRING, 354777-1 DISC, WIRE, 690142-1 DISC, INSULATION, 690124-9 WASHER, RAM, 690125-1 WASHER, LAMINATED, 21009-2 SCR, SOC SET 1/4-20 X .25 LG, 690191-1 PLUG, NYLON, 461690-1 SPACER, 692655-1 VALVE ASSY, 2-21002-9 SCR. BUT HD 10-32 X .75, 3-21000-7 SCR. SOC HD 10-32 X .75, 852224-1 FINGER, FEED, 461062-6 FEED FINGER ASSY, 3-21001-4 SCREW, SOC HD CP 3/8-16 X .88 LG, 852289-1 AIR FEED ASSY, 21024-8 WASHER, LOCK, .38, 1-23030-2 SCR, SOC, HD. 8-32X.75 LOK-WEL, 852253-1 BLADE, SLUG, 1-455888-0 SPACER, CRIMPER, 3-21000-5 SCR. SOC HD 10-32 X .50, 454220-1 CAP, RAM, 1-456406-5 CRIMPER, WIRE, 9-456134-7 CRIMPER, INS "F", 238009-4 BLOCK, CRIMPER SPACER, 1-455888-4 SPACER, CRIMPER, 7-21002-7 SCR., BUT. HD. 5/16 UNF-24 X .75, 1-22183-7 PIN, GROOVE TYP 67 .125 DIA X .63, 2-22286-2 SPRING, EXT. LE-031B-2, 1-21919-1 PIN, DOWEL .094 DIA X .375, 852281-2 ROLLER, 354385-2 PNEUMATIC ASSY, 852287-1 PLATE, RETAINER, 852286-1 LATCH, INSERT, 852521-1 PIN, DOWEL MOD. .094 DIA X .49, 852284-1 ARM, LATCH, 1-21030-7 PIN, DOWEL .188 DIA X 1.50, 980282-3 CONNECTOR, MALE 1/8NPTX.25, 980285-2 ELBOW, MALE, SWIVEL 1/8 X .25T, 852247-1 SLIDE, STRIPPER, 3-22279-5 SPRING, COMP. LC-026B-9, 22733-3 SCR, BUT HD CP 6-32 X .25 LOK-WEL.

Main parts list table (continued) with columns: QTY, PART NO, DESCRIPTION, ITEM NO. Includes items like 852248-5 STRIPPER, 852245-1 CAM, INSERT, 852246-1 CAM, VALVE, 856287-1 RAM, 22374-7 EXHAUST QUICK, 22304-1 NIPPLE, HEX 1/8 NPT, 1-23619-6 PIN, GROOVED .188 DIA, 852298-1 LINK, 21045-3 CRESCENT RING, 4-23619-0 PIN, GROOVED, .188 DIA, 852296-1 CLEVIS, 6-21002-1 SCR. BUT HD 10-24 X .25, 852323-2 MOUNT, AIR CYL., 852297-1 ARM, PIVOT, 856265-3 ANVIL, 985314-1 AIR CYL., 3/4 BORE X 7/16 ST., 852295-1 ROD, BACKUP, 21021-4 NUT, FLEXLOC 10-32, 852294-2 BACKUP, TERMINAL .140, 21899-2 WASHER, FLAT, 852294-3 BACKUP, TERMINAL .120, 852294-1 BACKUP, TERMINAL .160, 852250-6 GUIDE, FRONT STRIP, 22354-7 STUD, 8-32, 852251-2 DRAG, 2-22280-9 SPRING, COMP. LC-032C-6, 21021-3 NUT, FLEXLOC 8-32, 90594-2 GUIDE, REAR STRIP, 1-21899-3 WASHER FLAT #8, 90591-1 SHEAR, LEFT, 853981-1 SHEAR, RIGHT, 2-21002-2 SCR., BUT. HD. 8-32X.50, 856231-1 PLATE, STRIP GUIDE, 23030-2 SCR. SOC. HD. 6-32X.38 LOK-WEL, 2-21002-1 SCR, BHC 8-32 x .38, 354993-1 AIR CYL 1 1/8 X .63, 5-21028-1 PIN, SPRING .125 DIA x .50, 1-23470-7 SPRING, COMP. LC-035C-19, 90777-1 GIB, HOUSING, 318198-3 INSERTOR, POD, 22733-8 SCR., BUT. HD. 8-32X.38, 90775-1 HOUSING, INSERT SLIDE, 1338955-3 HOLDDOWN, SPRING, 2-22733-8 SCR. BUT HD 1/4-20 X .62, 314866-2 PLATE, BASE, 852221-1 HOUSING, APPLICATOR.

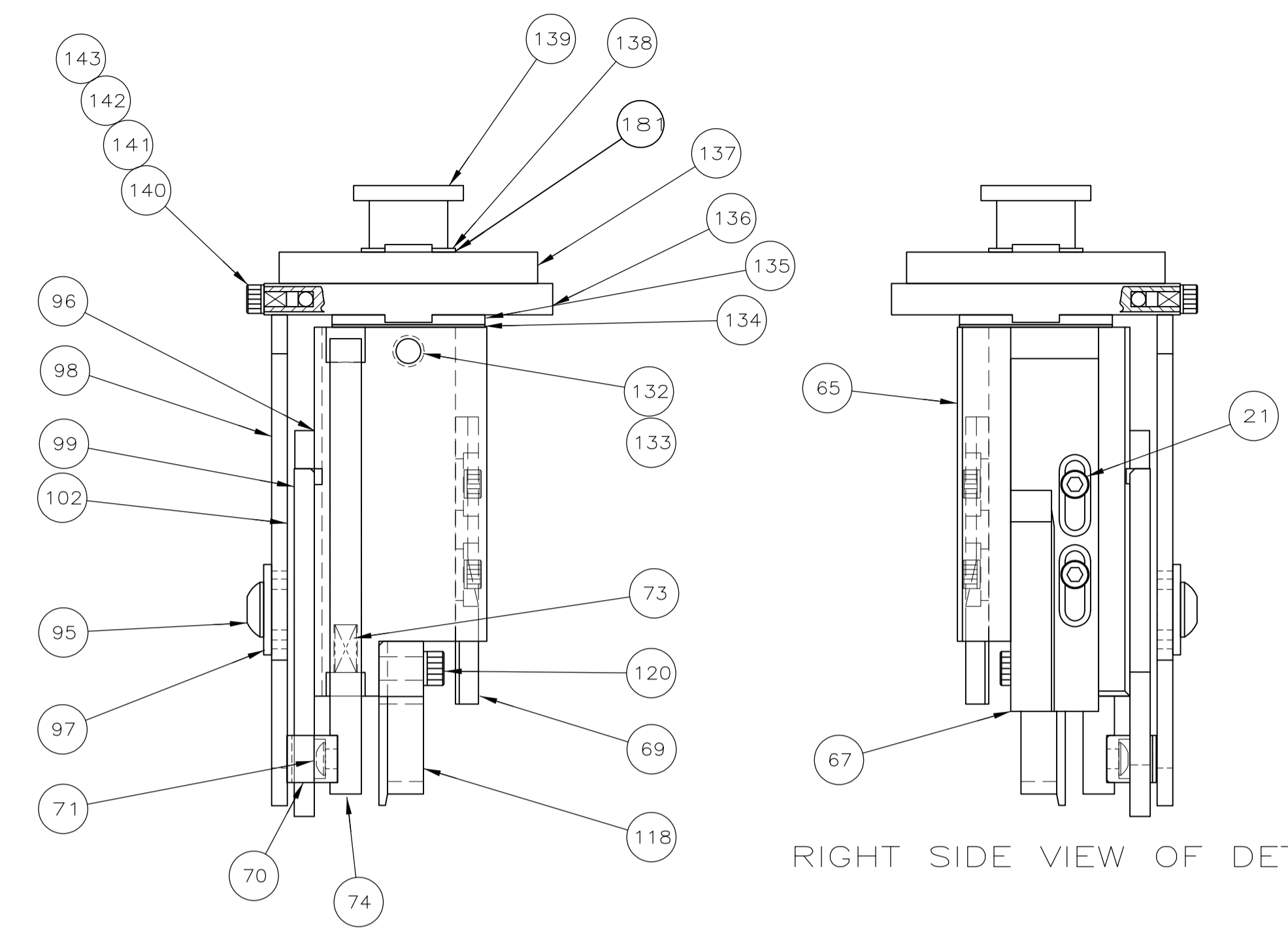
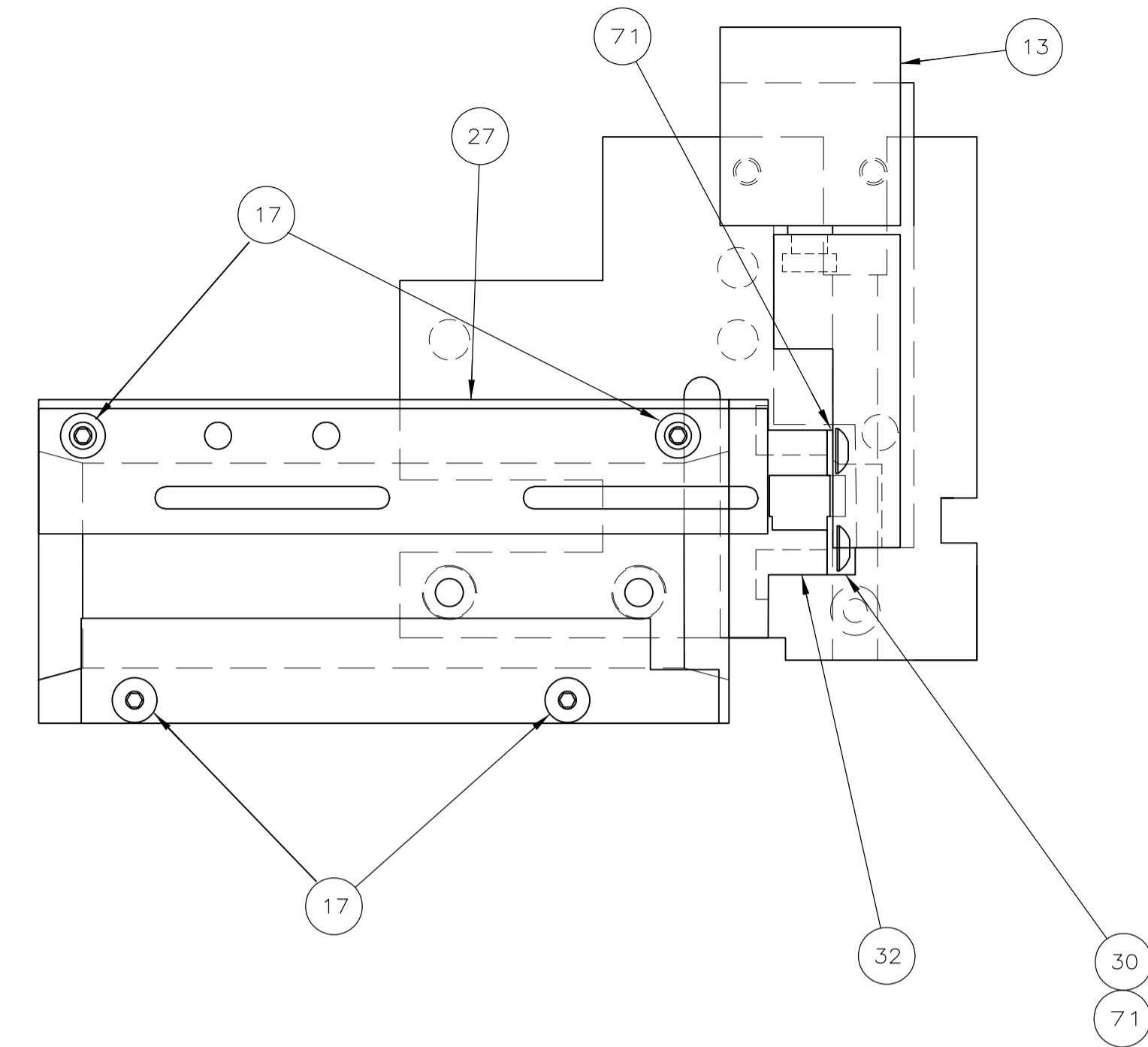
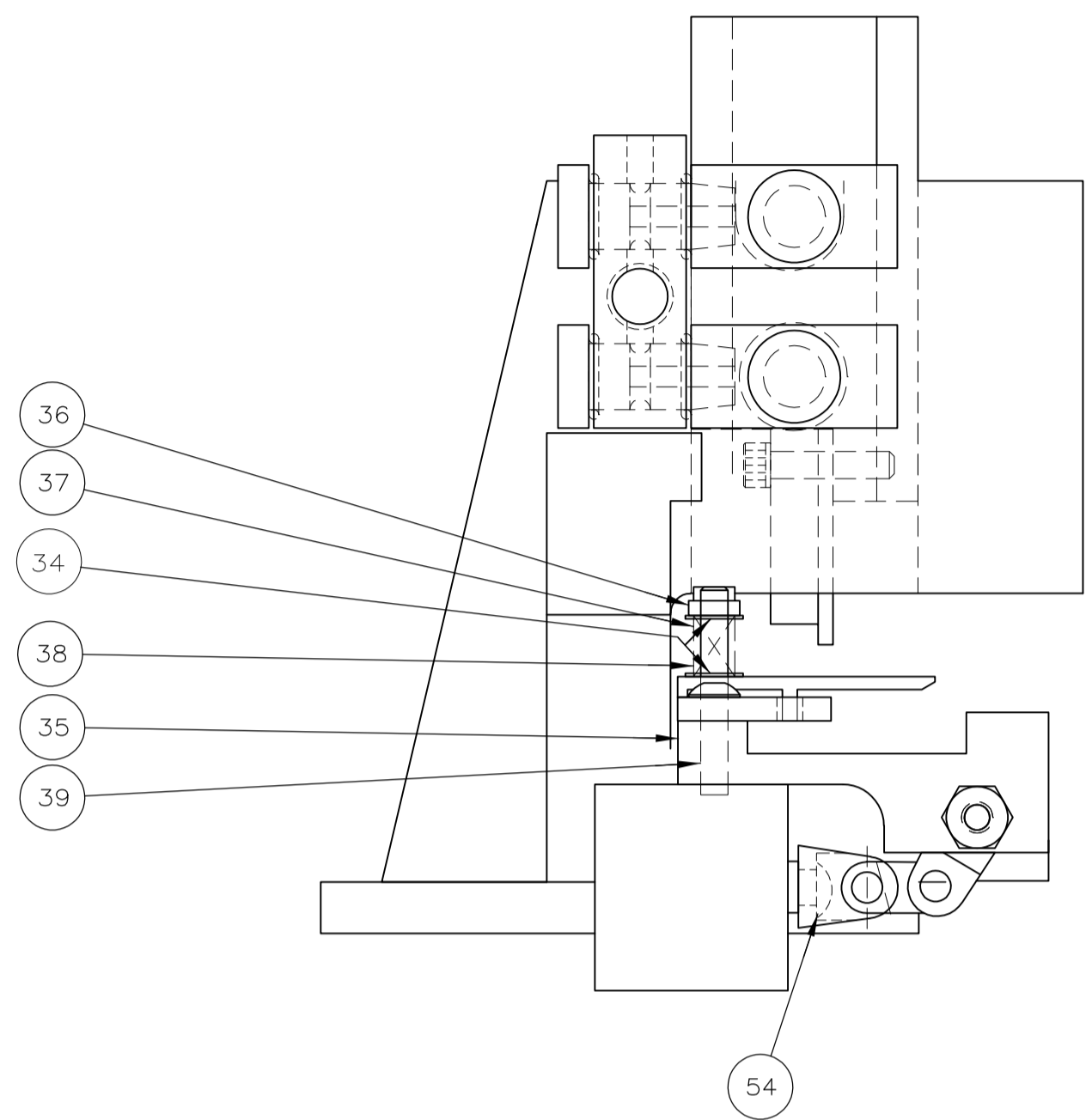
DIMENSIONING AND TOLERANCING PER ASME Y14.5M (ISO STANDARDS). THIS DRAWING IS A CONTROLLED DOCUMENT.

LOC A DIST 66

Table with columns: P, LTR, REVISION RECORD, DATE, DWN, MY, GB, ANGLE, SURFACE TEXTURE.

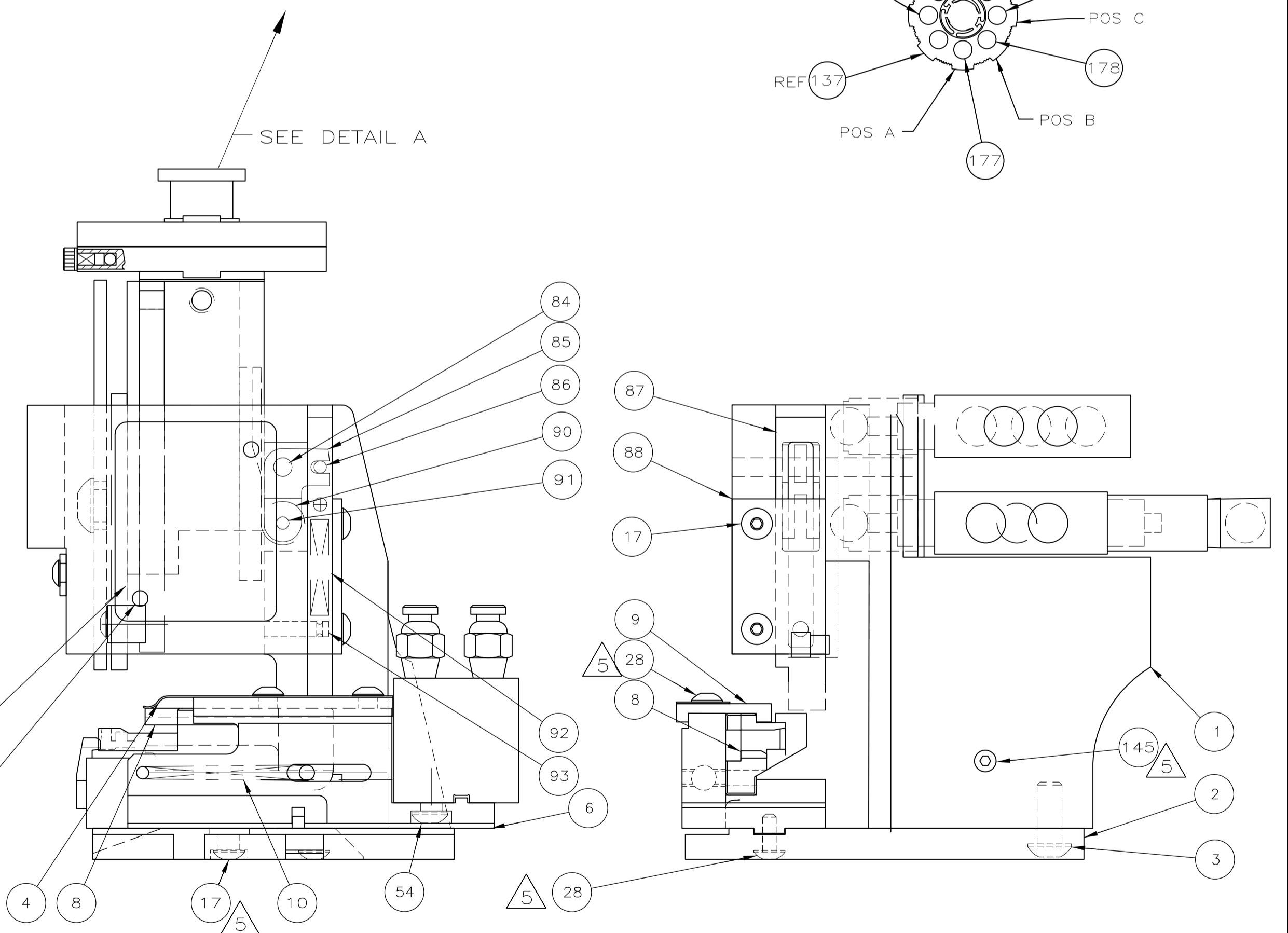
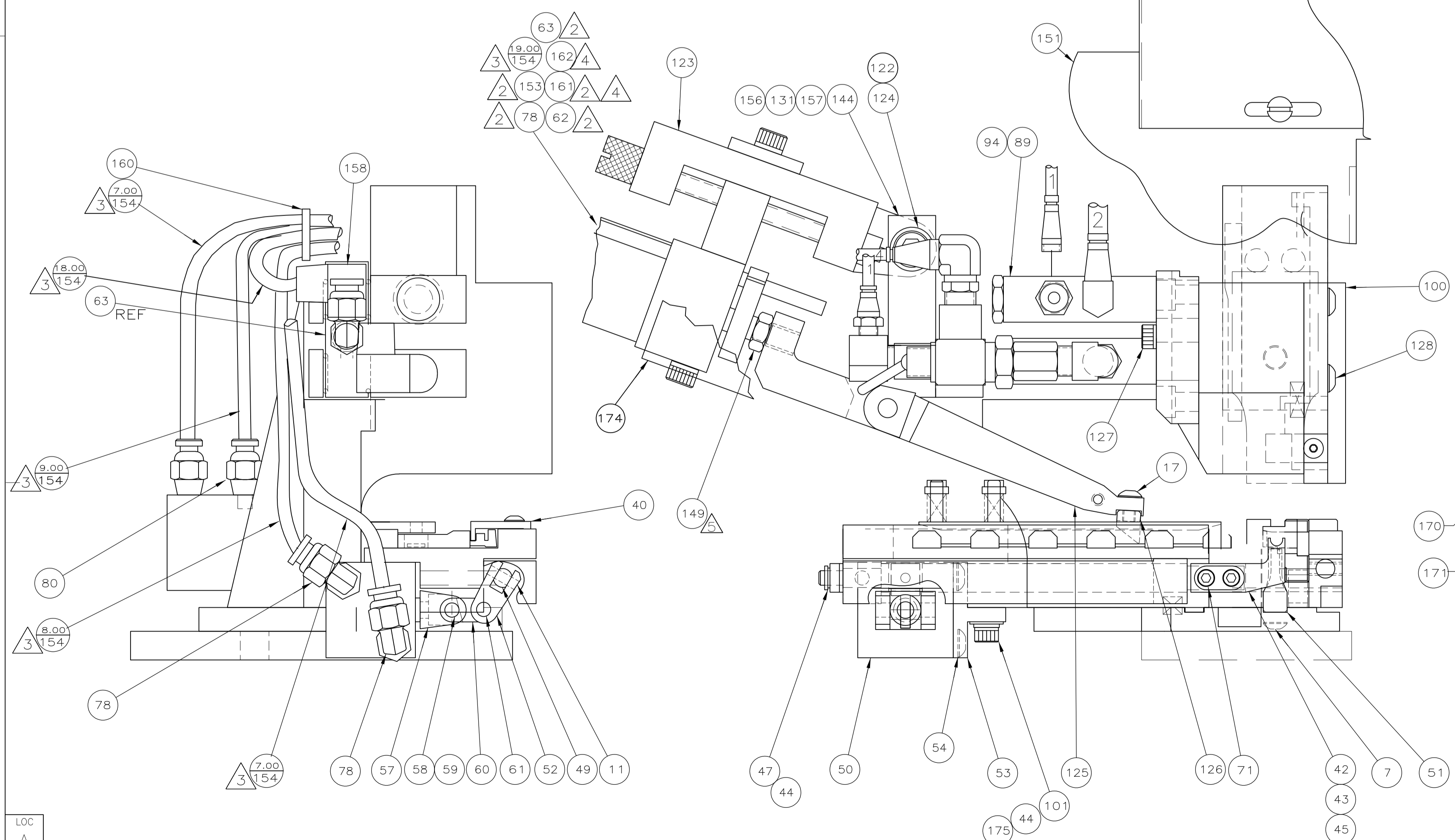
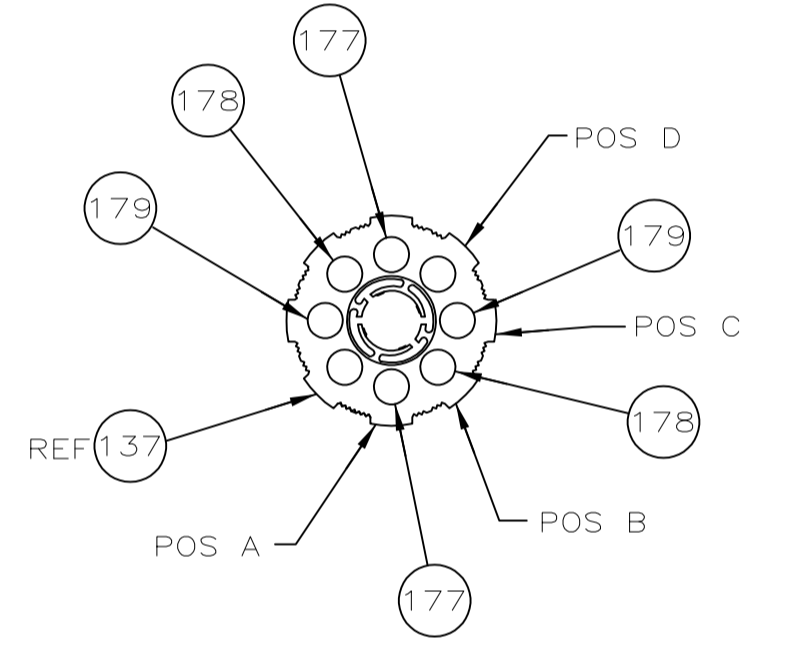
Technical drawing metadata including DIMENSIONS (INCHES), TOLERANCES UNLESS OTHERWISE SPECIFIED, DIMENSIONS (MILLIMETERS), ANGLE, SURFACE TEXTURE, DIM, CHK, APVD, NAME, SCALE, SIZE, DRAWING NO, SHEET OF, REV, and the STE logo.

DIMENSIONING AND TOLERANCING PER ASME Y14.5M (ISO STANDARDS). THIS DRAWING IS A CONTROLLED DOCUMENT.



RIGHT SIDE VIEW OF DETAIL A

DETAIL A



SEE DETAIL A

LOC A
DIST 66

P	LTR	REVISION RECORD	DATE	OWN	APVD
-	-	SEE SHEET 1	-	-	-

DIMENSIONS:		TOLERANCES UNLESS OTHERWISE SPECIFIED:	
INCHES	0 PLC ± .01	1 PLC ± .02	2 PLC ± .05
	3 PLC ± .005	4 PLC ± .0005	
ANGLES	-		
SURFACE TEXTURE	√		

DWN	10NOV99	MATERIAL	HEAT TREAT
R.O.WILSON	16NOV99		
CHK	16NOV99		
R.O.WILSON	16NOV99		
APVD	16NOV99		
T.ELBIN			
NAME	ULTRA-POD APPLICATOR .250 STRAIGHT		
SCALE	SIZE	DRAWING NO	SHEET
1:1	A1	680879	2 of 2
			REV
			G

CUSTOMER ACCESSIBLE PRODUCTION DRAWING

THIS INFORMATION IS CONFIDENTIAL AND PROPRIETARY TO TCI AND ITS COMPANIES. IT IS NOT TO BE DISCLOSED TO ANY OTHER PARTY WITHOUT THE WRITTEN AUTHORIZATION OF TCI. ANY UNAUTHORIZED DISCLOSURE OR USE OF THIS INFORMATION IS STRICTLY PROHIBITED. TCI AND ITS COMPANIES SHALL BE HELD HARMLESS FROM ANY AND ALL DAMAGES, INCLUDING REASONABLE ATTORNEY'S FEES, ARISING FROM ANY SUCH UNAUTHORIZED DISCLOSURE OR USE.