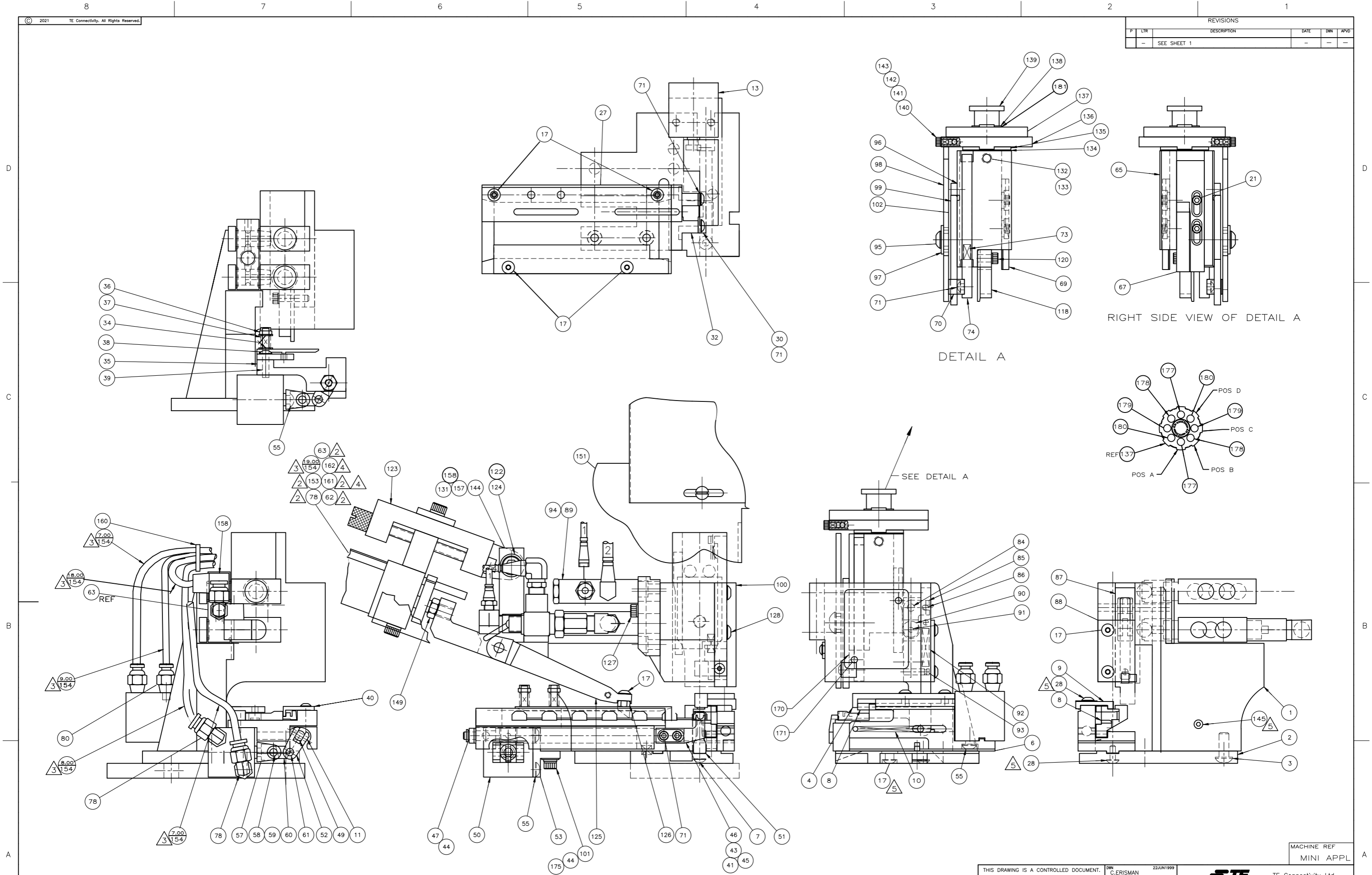
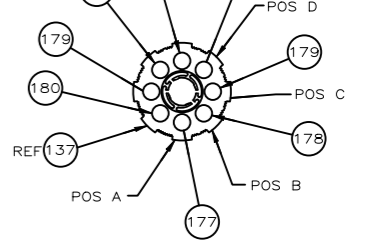


REVISIONS				
#	LTN	DESCRIPTION	DATE	APP'D
-	-	SEE SHEET 1	-	-



RIGHT SIDE VIEW OF DETAIL A

DETAIL A



SEE DETAIL A

THIS DRAWING IS A CONTROLLED DOCUMENT.		DWG: C.ERISMAN 22JUN1999		MACHINE REF: MINI APPL	
DIMENSIONS: INCHES		TOLERANCES UNLESS OTHERWISE SPECIFIED:		TE Connectivity Ltd.	
0.000 ± .000		1.000 ± .005		ULTRA-POD APPLICATOR .250 STRAIGHT	
1.000 ± .005		2.000 ± .010		PRODUCT SPEC: -	
2.000 ± .010		3.000 ± .015		APPLICATION SPEC: -	
3.000 ± .015		4.000 ± .020		WEIGHT: -	
4.000 ± .020		ANGLES: -		SIZE: A1 00779	
MATERIAL: -		FINISH: -		CAGE CODE: C-680834	
CUSTOMER DRAWING		SCALE: 1:1		SHEET 2 OF 2	

CUSTOMER AND ASSEMBLY DRAWING