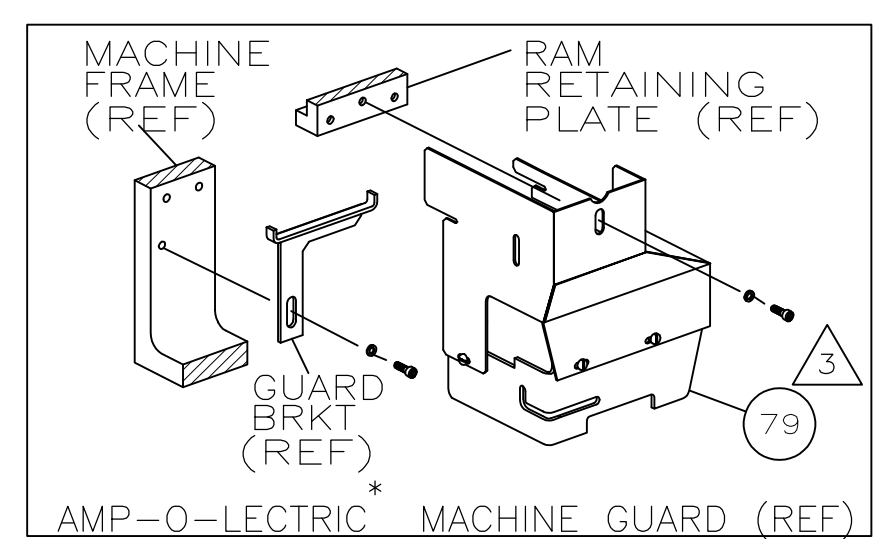


PART NUMBER	REV	FIRST USED
680002-1	C	565435-5



TERMINAL NAME: TAB  
 FASTIN-FASTON, AMPLIVAR, .187 SERIES  
 62445-3

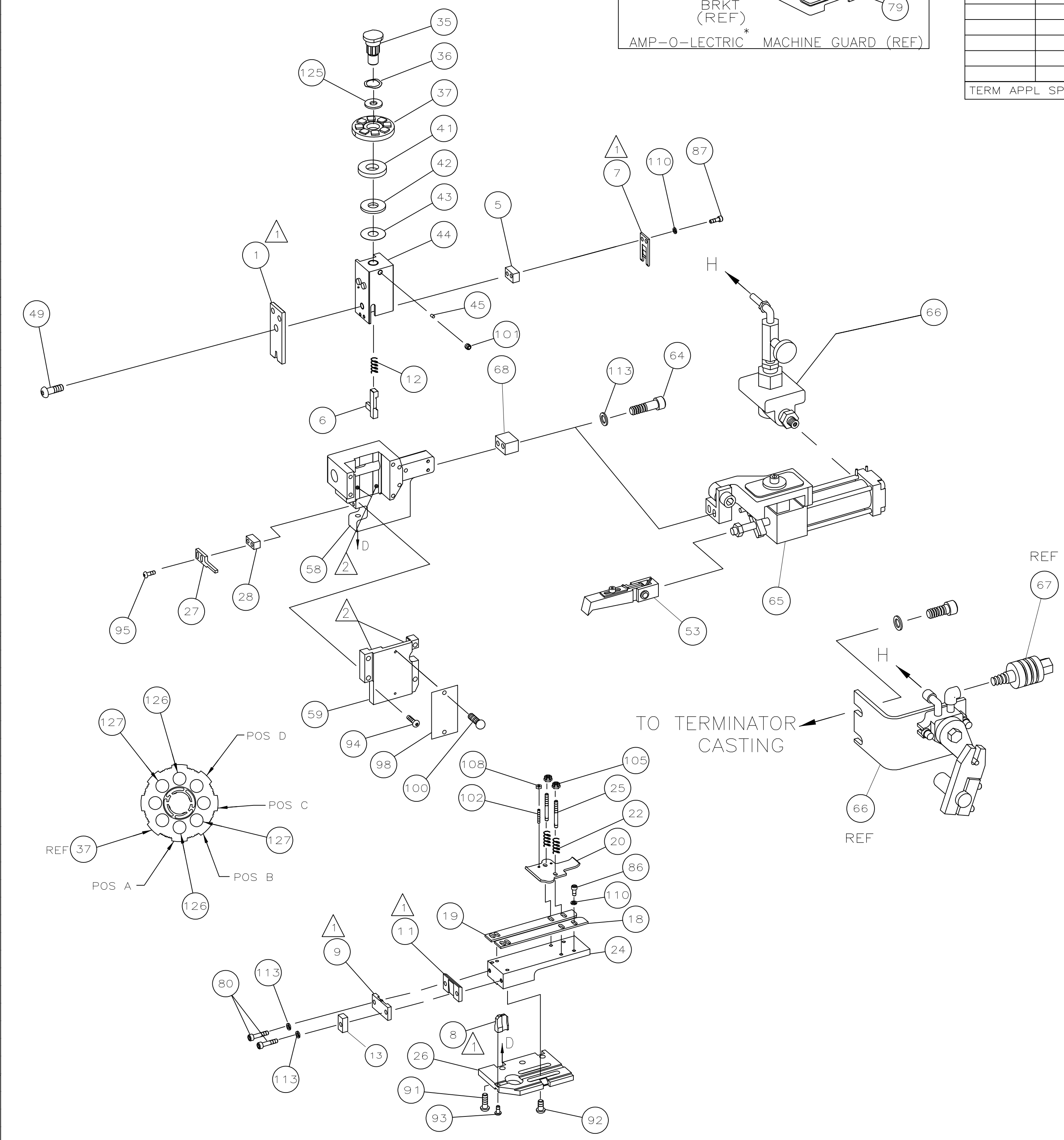
PAD LTR	CRIMP HEIGHT	WIRE SIZE
A	.077 ±.002	(2) 17.5
B	.073 ±.002	(2) 18.5
C	NOT	USED
D	NOT	USED

CRIMP	SIZE	TYPE	RANGE
WIRE	.140	F	(2)18.5-(2)17.5 MAGNET
INSUL	-	-	-

FEED 1.060 APPL INST A18039 SET UP GAGE 458638-1 LAYOUT L1503  
 TERM APPL SPEC 114-02023 WIRE STRIP LENGTH -

LOC	DIST	REV	DESCRIPTION	DATE	OWN	APVD
A	66					
C			ECR-07-019029	8-2007	MY	GB

-1 AMP-O-ELECTRIC AIRFEED



				129
				128
2	-	9-354778-3	PIN, WIRE DISC (.2960)B	127
2	-	8-354778-3	PIN, WIRE DISC (.2910)A	126
1	-	986950-1	WASHER, FLAT PRECISION	125
				124
				123
				122
				121
				120
				119
				118
				117
				116
				115
				114
4	-	21024-5	WASHER,LOCK(NO.10)SHEAR PL	113
				112
				111
6	-	21024-4	WASHER,LOCK(NO.8)SHEAR BL	110
				109
2	-	21018-4	NUT,HEX(4-40)DRAG	108
				107
				106
2	-	21022-2	NUT,HEX SL(8-32)DRAG STUD	105
				104
				103
2	-	4-21078-8	SKT SKT SET (4-40x.75)DRAG	102
1	-	21009-2	SCR,SKT SET(1/4-20x.25 )RAM	101
2	-	21017-2	SCR,DRIVE(#2x.19)ID PLATE	100
				99
1	-	461264-1	PLATE, IDENTIFICATION	98
				97
				96
2	-	2-21002-2	SCR,BHC(8-32x.50)STRIPPER	95
4	-	2-21002-9	SCR,BHC(10-32x.75)CAP	94
1	-	22733-8	SCR,BHC(8-32x.38 LW)ANVIL	93
4	-	3-21002-3	SCR,BHC(1/4-20x.50)ST GD PL	92
3	-	2-22733-8	SCR,BHC(1/4-20x.62)HSG	91
				90
				89
				88
2	-	2-21000-9	SCR,SHC(8-32x.75)SLUG BLADE	87
4	-	2-21000-5	SCR,SHC(8-32x.25)STRIP GUIDE	86
2	-	2-21000-7	SCR,SHC(8-32x.50)R STRIP GUIDE	85
				84
				83
				82
				81
2	-	3-21000-8	SCR,SKT CAP(10-32x.88)SH PL	80
1	-	455750-8	GUARD ASSY	79
				78
				77
				76
				75
				74
				73
				72
				71

				70	
				69	
1	-	461690-1	SPACER, AIR FEED	68	
REF	-	24042-2	VALVE, SHUT OFF	67	
1	-	692655-5	VALVE ASSY	66	
1	-	1-460277-5	AIR FEED ASSY	65	
2	-	4-21000-3	SCR,SHC(10-32x2.00)AIR FD ASSY	64	
				63	
				62	
				61	
				60	
1	-	454220-1	CAP, RAM	59	
1	-	453736-1	HOUSING	58	
				57	
				56	
				55	
				54	
4	1	-	1-460680-9	FEED FINGER ASSY	53
				52	
				51	
				50	
1	-	7-21002-9	BOLT, CRIMPER(5/16-24x1.00)	49	
				48	
				47	
				46	
1	-	690191-1	PLUG, NYLON	45	
1	-	455674-1	RAM	44	
1	-	690125-1	WASHER, LAMINATED	43	
1	-	690124-1	WASHER, RAM	42	
1	-	690223-2	SPACER, INSULATION DISC	41	
				40	
				39	
				38	
1	-	354777-1	WIRE DISC, PLASTIC	37	
1	-	22480-5	WASHER, SPRING	36	
1	-	690212-1	POST, RAM	35	
				34	
				33	
				32	
				31	
				30	
				29	
1	-	3-690451-2	SPACER, STRIPPER	28	
1	-	240639-1	STRIPPER	27	
1	-	455676-1	PLATE, BASE	26	
2	-	22354-8	DRAG, STUD	25	
1	-	455678-1	PLATE, STRIP GUIDE	24	
				23	
2	-	4-22281-1	SPRING, DRAG	22	
				21	
1	-	454177-1	DRAG, STOCK	20	
1	-	1-458030-3	GUIDE, STRIP (REAR)	19	
1	-	1-458031-3	GUIDE, STRIP (FRONT)	18	
				17	
				16	
				15	
				14	
1	-	1-690481-0	SPACER, HOLD DOWN	13	
1	-	23846-1	SPRING, HOLD DOWN	12	
1	-	240644-1	PLATE, REAR SHEAR	11	
				10	
1	-	690482-1	PLATE, FRONT SHEAR	9	
1	-	2-456537-0	ANVIL	8	
1	-	690474-2	BLADE, SLUG	7	
1	-	455892-3	HOLD DOWN, TERMINAL	6	
1	-	7-240641-7	SPACER, SLUG BLADE	5	
				4	
				3	
				2	
1	-	463223-2	CRIMPER, WIRE	1	

- 1 RECOMMENDED SPARE PARTS.
- 2 GREASE LIGHTLY.
- 3 GUARD MUST BE IN PLACE WHEN OPERATING APPLICATOR IN AMP-O-ELECTRIC MACHINE.
- 4 SEE DRAWING FOR COMPONENTS

QTY REQD PER ASSY	U/M	PART NO	DESCRIPTION	ITEM NO

QTY REQD PER ASSY	U/M	PART NO	DESCRIPTION	ITEM NO

THIS DRAWING IS A CONTROLLED DOCUMENT. DATE: 4/14/93

BY: P. MATHIAS  
 CHK: [Signature]  
 APVD: [Signature]

PRODUCT SPEC: [Blank]  
 APPLICATION SPEC: [Blank]

SIZE: A1  
 CAGE CODE: 00779  
 DRAWING NO: 680002

RESTRICTED TO: [Blank]

CUSTOMER DRAWING