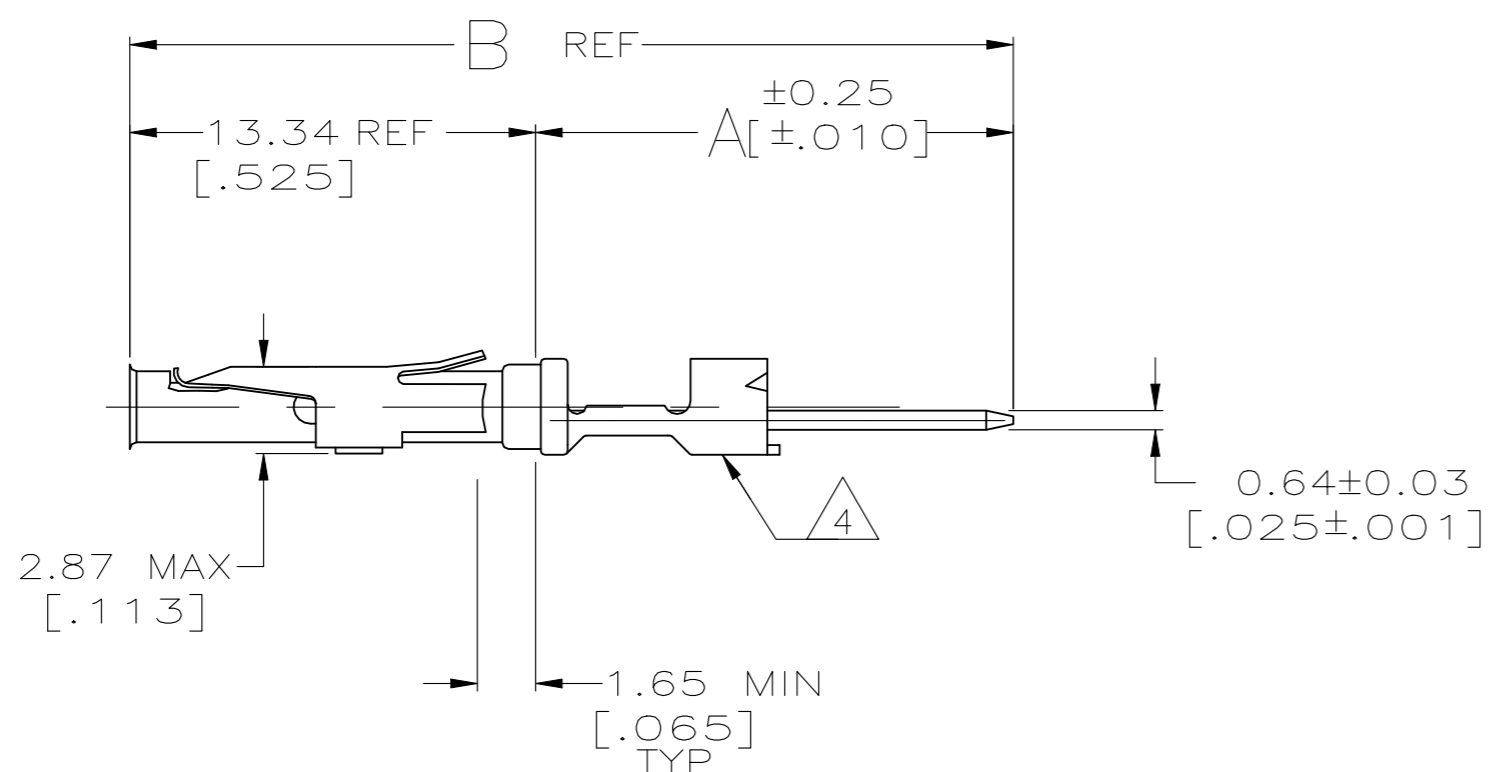
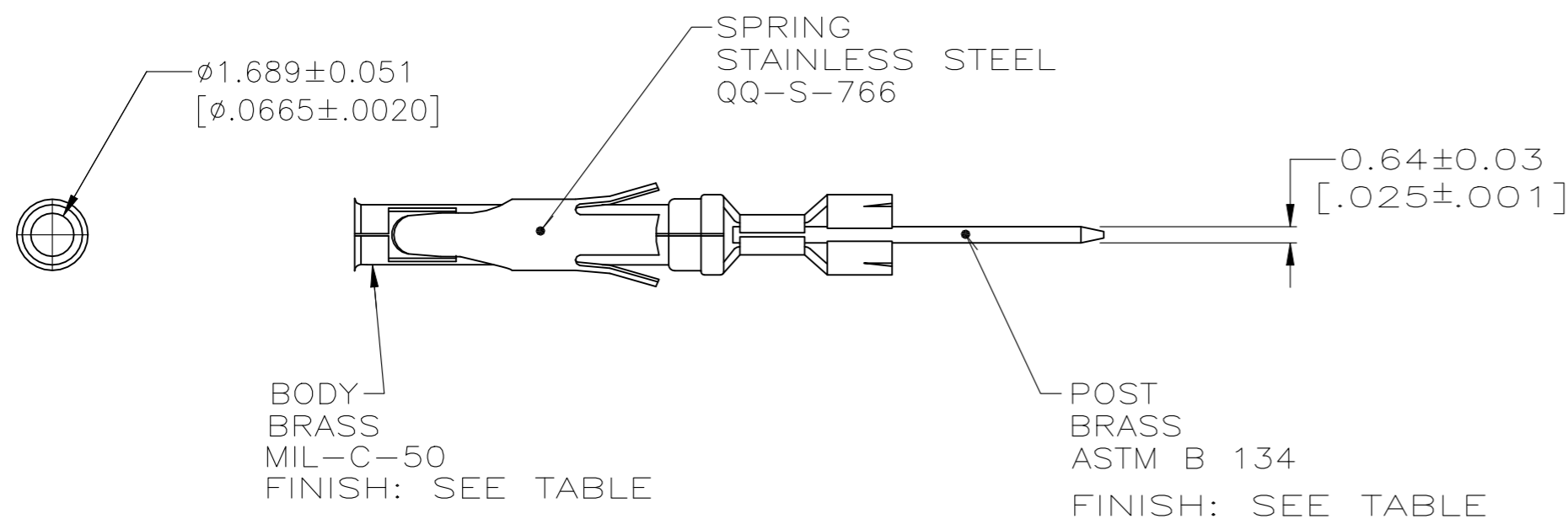


THIS DRAWING IS UNPUBLISHED. RELEASED FOR PUBLICATION  
 © COPYRIGHT - By - ALL RIGHTS RESERVED.

REVISIONS					
P	LTR	DESCRIPTION	DATE	DWN	APVD
AW2		REVISED PER ECR-22-150475	26AUG2022	RK	MZ



- $\triangle 1$  2.54um [.000100] MIN TIN-LEAD PER MIL-T-10727 OVER 1.27um [.000050] MIN NICKEL PER QQ-N-290.
- $\triangle 2$  2.76um [.000030] MIN GOLD PER MIL-G-45204 ON MATING END FOR A LENGTH OF 5.08 [.200] MIN WITH A UNIFORM GRADIENT TO 0.25um [.000010] MIN GOLD PER MIL-G-45204 ON THE REMAINDER OVER 1.27um [.000050] MIN NICKEL PER QQ-N-290.
- $\triangle 3$  2.54um [.000100] MIN TIN-LEAD PER MIL-T-10727 OVER 1.27um [.000050] MIN NICKEL PER QQ-N-290.
- $\triangle 4$  GOLD PLATING NEED NOT APPEAR ON WIRE BARREL.
- $\triangle 5$  0.76um [.000030] MIN GOLD PER MIL-G-45204 ON MATING END FOR A LENGTH OF 5.08 [.200] MIN, GOLD FLASH ON THE REMAINDER OVER 1.27um [.000050] MIN NICKEL PER QQ-N-290.
- $\triangle 6$  .000100 MIN TIN PER MIL-T-10727, OVER .000050 MIN NICKEL PER QQ-N-290.
- $\triangle 7$  .000030 MIN GOLD PER MIL-G-45204, OVER .000050 MIN NICKEL PER QQ-N-290.
- $\triangle 8$  OBSOLETE PARTS

	PRELIMINARY	34.44 [1.356]	21.11 [.831]	2	$\triangle 7$	$\triangle 6$	5-66461-7
		29.13 [1.147]	15.80 [.622]	1	$\triangle 6$	$\triangle 2$	5-66461-6
		29.13 [1.147]	15.80 [.622]	1	$\triangle 6$	$\triangle 5$	5-66461-5
		29.13 [1.147]	15.80 [.622]	1	$\triangle 6$	$\triangle 6$	5-66461-4
	PRELIMINARY	34.44 [1.356]	21.11 [.831]	2	$\triangle 3$	$\triangle 1$	5-66461-3
	OBSOLETE	49.40 [1.945]	36.07 [1.420]	SPECIAL	$\triangle 3$	$\triangle 5$	<del>5-66461-1</del>
$\triangle 8$	OBSOLETE	30.68 [1.208]	17.35 [.683]	SPECIAL	$\triangle 3$	$\triangle 1$	<del>2-66461-2</del>
$\triangle 8$	SUPERSEDED	34.44 [1.356]	21.11 [.831]	2	$\triangle 3$	$\triangle 1$	<del>2-66461-1</del>
	OBSOLETE	41.48 [1.633]	28.14 [1.108]	SPECIAL	$\triangle 3$	$\triangle 5$	<del>2-66461-0</del>
		30.68 [1.208]	17.35 [.683]	SPECIAL	$\triangle 3$	$\triangle 1$	1-66461-9
	OBSOLETE	29.64 [1.167]	16.31 [.642]	SPECIAL	$\triangle 3$	$\triangle 5$	<del>1-66461-8</del>
	OBSOLETE	27.97 [1.101]	14.63 [.576]	SPECIAL	$\triangle 3$	$\triangle 5$	<del>1-66461-7</del>
	OBSOLETE	25.68 [1.011]	12.34 [.486]	SPECIAL	$\triangle 3$	$\triangle 5$	<del>1-66461-3</del>
		43.46 [1.711]	30.12 [1.186]	SPECIAL	$\triangle 3$	$\triangle 5$	<del>1-66461-0</del>
		39.24 [1.545]	25.91 [1.020]	3	$\triangle 3$	$\triangle 5$	66461-9
		34.44 [1.356]	21.11 [.831]	2	$\triangle 3$	$\triangle 5$	66461-8
		29.13 [1.147]	15.80 [.622]	1	$\triangle 3$	$\triangle 5$	66461-7
		39.24 [1.545]	25.91 [1.020]	3	$\triangle 3$	$\triangle 2$	66461-6
	OBSOLETE	34.44 [1.356]	21.11 [.831]	2	$\triangle 3$	$\triangle 2$	<del>66461-5</del>
		29.13 [1.147]	15.80 [.622]	1	$\triangle 3$	$\triangle 2$	66461-4
	OBSOLETE	39.24 [1.545]	25.91 [1.020]	3	$\triangle 3$	$\triangle 1$	<del>66461-3</del>
		34.44 [1.356]	21.11 [.831]	2	$\triangle 3$	$\triangle 1$	66461-2
		29.13 [1.147]	15.80 [.622]	1	$\triangle 3$	$\triangle 1$	66461-1
		B	A	NO OF TERM	POST FINISH	BODY FINISH	PART NUMBER

THIS DRAWING IS A CONTROLLED DOCUMENT.		DWN C.OBERMAN 07/02/92	TE Connectivity	
DIMENSIONS: INCHES		CHK R.STONE 7-8-92		
TOLERANCES UNLESS OTHERWISE SPECIFIED:		APVD C.OBERMANN 7-10-92	NAME SOCKET CONTACT, CRIMPED .062 DIA, .025 X .025 POST, AUTOWIRE	
		PRODUCT SPEC -	SIZE A2	
MATERIAL SEE CALLOUT		APPLICATION SPEC -	CAGE CODE 00779	DRAWING NO C-66461
FINISH SEE CALLOUT		WEIGHT -	RESTRICTED TO -	SCALE 4:1
CUSTOMER DRAWING		SHEET 1 OF 2		REV AW2

THIS DRAWING IS UNPUBLISHED. RELEASED FOR PUBLICATION  
 © COPYRIGHT - By - ALL RIGHTS RESERVED.

REVISIONS					
P	LTR	DESCRIPTION	DATE	DWN	APVD
-	-	SEE SHEET 1	-	-	-

	B	A	NO OF TERM	POST FINISH	BODY FINISH	PART NUMBER	
	OBSOLETE	49.40 [1.945]	36.07 [1.420]	SPECIAL	△6	△5	<del>9-66461-9</del>
		30.68 [1.208]	17.35 [.683]	SPECIAL	△6	△6	7-66461-0
△8	OBSOLETE	30.68 [1.208]	17.35 [.683]	SPECIAL	△6	△6	<del>6-66461-5</del>
		41.48 [1.633]	28.14 [1.108]	SPECIAL	△6	△5	6-66461-4
		39.24 [1.545]	25.91 [1.020]	3	△6	△5	6-66461-3
		34.44 [1.356]	21.11 [.831]	2	△6	△5	6-66461-2
		39.24 [1.545]	25.91 [1.020]	3	△6	△2	6-66461-1
		34.44 [1.356]	21.11 [.831]	2	△6	△2	6-66461-0
		39.24 [1.545]	25.91 [1.020]	3	△6	△6	5-66461-9
		34.44 [1.356]	21.11 [.831]	2	△6	△6	5-66461-8

THIS DRAWING IS A CONTROLLED DOCUMENT.		DWN C.OBERMAN 07/02/92	<b>STE</b> TE Connectivity	
DIMENSIONS: INCHES		CHK R.STONE 7-8-92		
TOLERANCES UNLESS OTHERWISE SPECIFIED:		APVD C.OBERMANN 7-10-92	NAME	
0 PLC ± -		PRODUCT SPEC	SOCKET CONTACT, CRIMPED	
1 PLC ± -		APPLICATION SPEC	.062 DIA, .025 X .025 POST, AUTOWIRE	
2 PLC ± 0.13 [.005]		WEIGHT	SIZE A2	CAGE CODE 00779
3 PLC ± -		FINISH	DRAWING NO C-66461	RESTRICTED TO
4 PLC ± -		MATERIAL SEE CALLOUT	SCALE 4:1	SHEET 2 of 2
ANGLES ± -		CUSTOMER DRAWING	REV AW2	