

4

3

2

1

THIS DRAWING IS UNPUBLISHED. RELEASED FOR PUBLICATION NOV ,1996.
 © COPYRIGHT 1996 BY TYCO ELECTRONICS CORPORATION. ALL RIGHTS RESERVED.

LOC		DIST		REVISIONS			
P	LTR	DESCRIPTION		DATE	DWN	APVD	
	0	RELEASED	ECR-06-000679	11JAN06	W.H	S.Y	

D

C

B

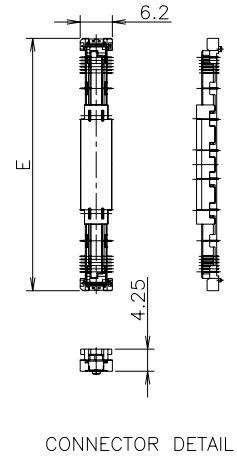
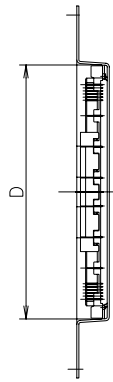
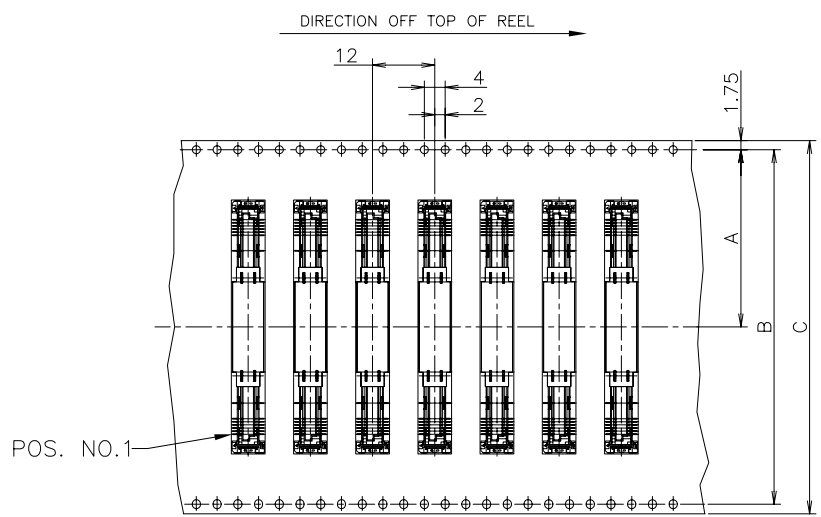
A

D

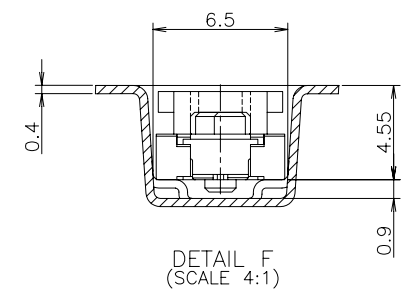
C

B

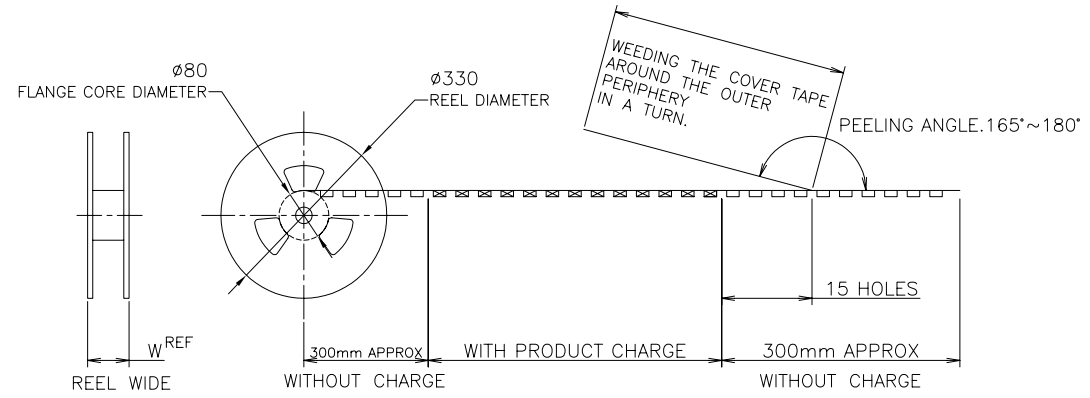
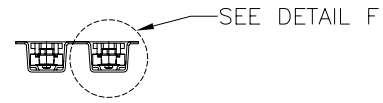
A



CONNECTOR DETAIL



DETAIL F (SCALE 4:1)



NON SEALANT	AVAILABLE	1000	37.5	21.7	22	32	28.4	14.2	50	6612110-3
SEALANT	TOOLING STATUS	QTY.	W	E	D	C	B	A	POS.	PART NO.

THIS DRAWING IS A CONTROLLED DOCUMENT.		DWN	13JUN05	tyco Electronics	Tyco Electronics AMP K.K.	
		CHK	13JUN05		Kawasaki, Japan	
		APVD	13JUN05	NAME		
		STEVEN YAO			EMBOSS ASSY	
		PRODUCT SPEC			FOR FH 0.6 BTB CONNECTOR	
		APPLICATION SPEC			REC. 4H WITH 1 ROW CAP	
		SIZE	CAGE CODE	DRAWING NO	RESTRICTED TO	
		A3	00779	C=6612110	-	
		CUSTOMER DRAWING			SCALE	1:1
					SHEET	1 OF 3
					REV	0

DIMENSIONS:	TOLERANCES UNLESS OTHERWISE SPECIFIED:	
mm	0 PLC	± 0.3
	1 PLC	± 0.3
	2 PLC	± 0.3
	3 PLC	± 0.3
	4 PLC	± 0.3
	ANGLES	± 5°
MATERIAL	FINISH	

4

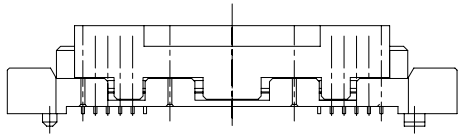
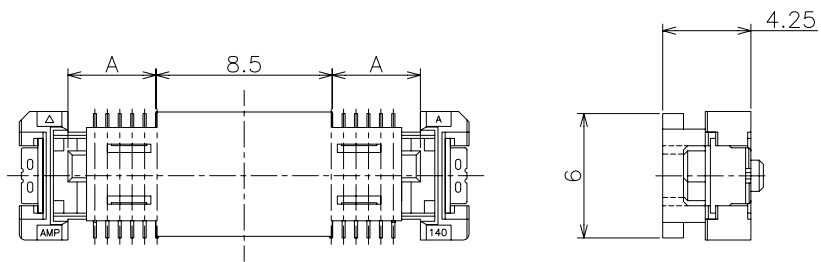
3

2

1

THIS DRAWING IS UNPUBLISHED. RELEASED FOR PUBLICATION NOV, 1998.
 © COPYRIGHT 1998 BY TYCO ELECTRONICS CORPORATION. ALL RIGHTS RESERVED.

LOC	DIST	REVISIONS			
P	LTR	DESCRIPTION	DATE	DWN	APVD
J		SEE SHEET 1	-	-	-



AVAILABLE	4.25	50	1318041-1	6612110-3
TOOLING STATUS	A	POS.	CAP P/N	PART No.

WIRE RANGE 799241E	INSULATION DIA 799241E
-----------------------	---------------------------

THIS DRAWING IS A CONTROLLED DOCUMENT.		DWN	WENEK HE	13JUN05	 Tyco Electronics AMP K.K. Kawasaki, Japan		
DIMENSIONS: MM		CHK	GAVIN ZHANG	13JUN05			
		APVD	STEVEN YAO	13JUN05			
TOLERANCES UNLESS OTHERWISE SPECIFIED:		PRODUCT SPEC		NAME			
0 PLC ± 0.3 1 PLC ± 0.3 2 PLC ± 0.3 3 PLC ± 0.3 4 PLC ± 0.3 ANGLES ± 5°		APPLICATION SPEC		EMBOSS ASSY FOR FH 0.6 BTB CONNECTOR REC. 4H WITH 1 ROW CAP			
MATERIAL		WEIGHT		SIZE	CAGE CODE	DRAWING NO	RESTRICTED TO
		CUSTOMER DRAWING		A3	00779	6612110	-
				SCALE	4:1	SHEET	2 OF 3
				REV	0		

4

3

2

1

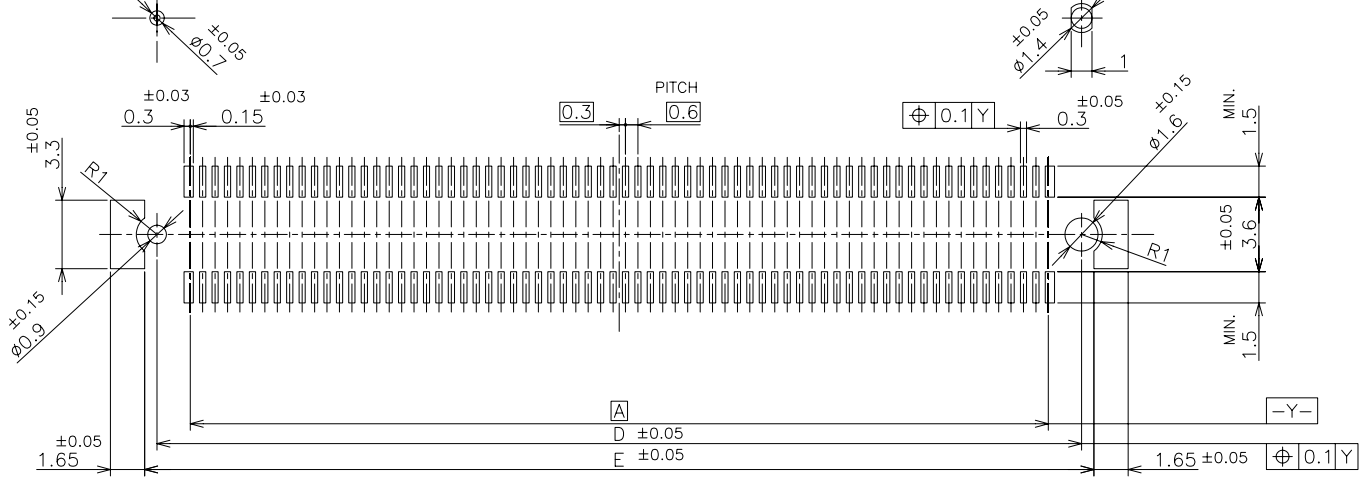
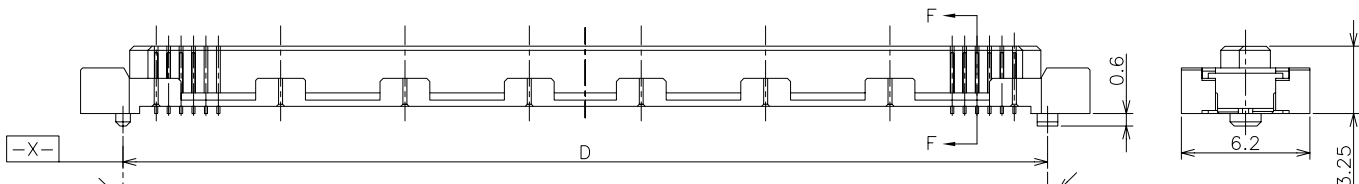
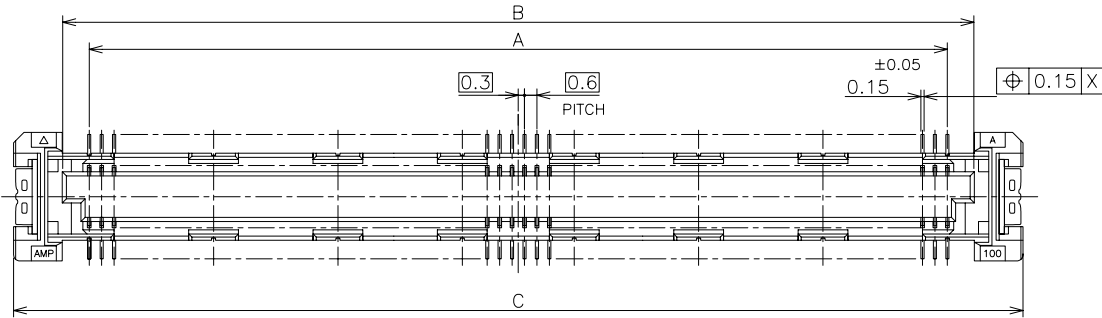
THIS DRAWING IS UNPUBLISHED. RELEASED FOR PUBLICATION APR , 1995.

© COPYRIGHT 1995 BY TYCO ELECTRONICS CORPORATION. ALL RIGHTS RESERVED.

LOC	DIST
J	

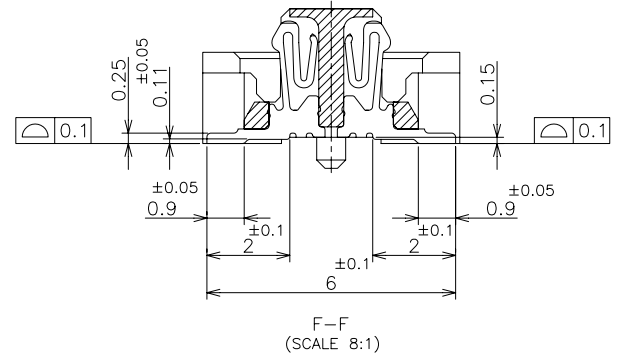
REVISIONS

P	LTR	DESCRIPTION	DATE	DWN	APVD
-	-	SEE SHEET 1	-	-	-



RECOMMENDED P.C. BOARD LAYOUT

- ① MATERIAL : HOUSING : HIGH TEMP THERMO PLASTIC UL94V-0
CONTACT : COPPER ALLOY
- ② FINISH : UNDER PL Ni 0.0013mm MIN ALL OVER.
CONTACT AREA 0.0002 MIN Au PL.
SOLDERING AREA 0.00005 MIN Au PL.
- ③ SEE PACKING ASSY DWG AS FINAL ASSY PART NUMBER.



THIS DRAWING IS A CONTROLLED DOCUMENT.

DWN	13JUN05
WENKE HE	
CHK	13JUN05
GAVIN ZHANG	
APVD	13JUN05
STEVEN YAO	

tyco Tyco Electronics AMP K.K.
Electronics Kawasaki, Japan

DIMENSIONS: MM

TOLERANCES UNLESS OTHERWISE SPECIFIED:



0 PLC	± 0.3
1 PLC	± 0.3
2 PLC	± 0.3
3 PLC	± 0.3
4 PLC	± 0.3
ANGLES	± 3'

MATERIAL

FINISH



EMBOSS ASSY
FOR FH 0.6 BTB CONNECTOR
REC. 4H WITH 1 ROW CAP

SIZE	CAGE CODE	DRAWING NO	RESTRICTED TO
A3	00779	6612110	-

AVAILABLE	18.8	17.6	21.7	17	14.4	50	6612110-3
TOOLING STATUS	E	D	C	B	A	POS	PART NO.

CUSTOMER DRAWING SCALE 4:1 SHEET 3 OF 3 REV 0