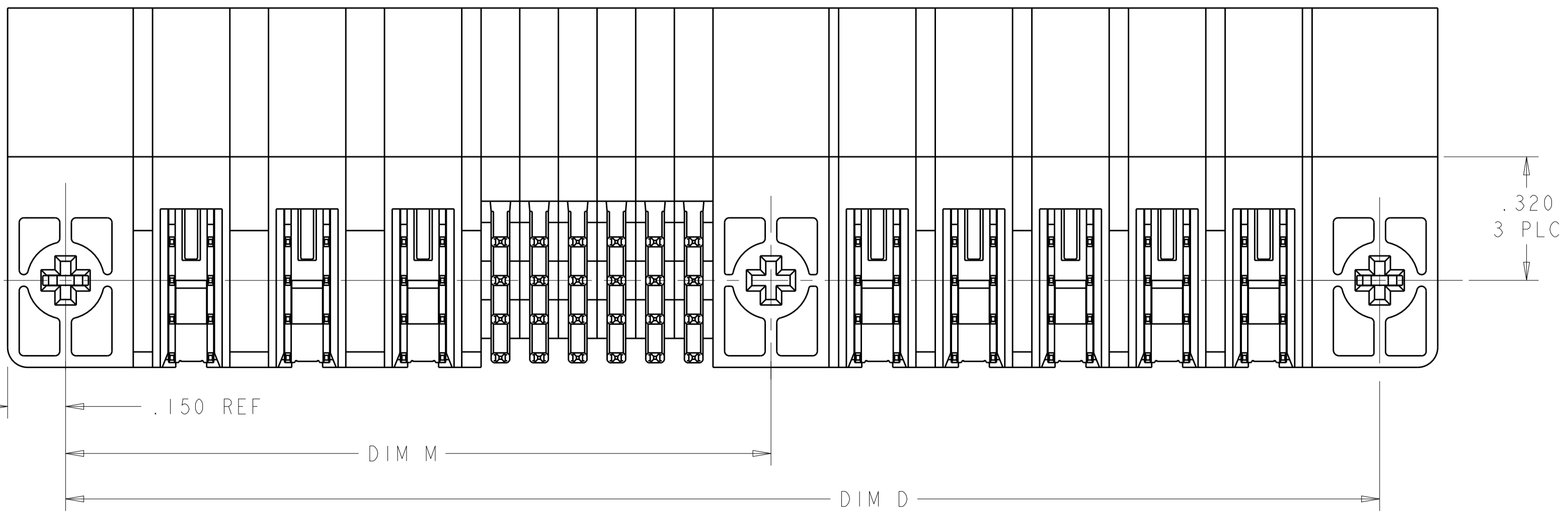
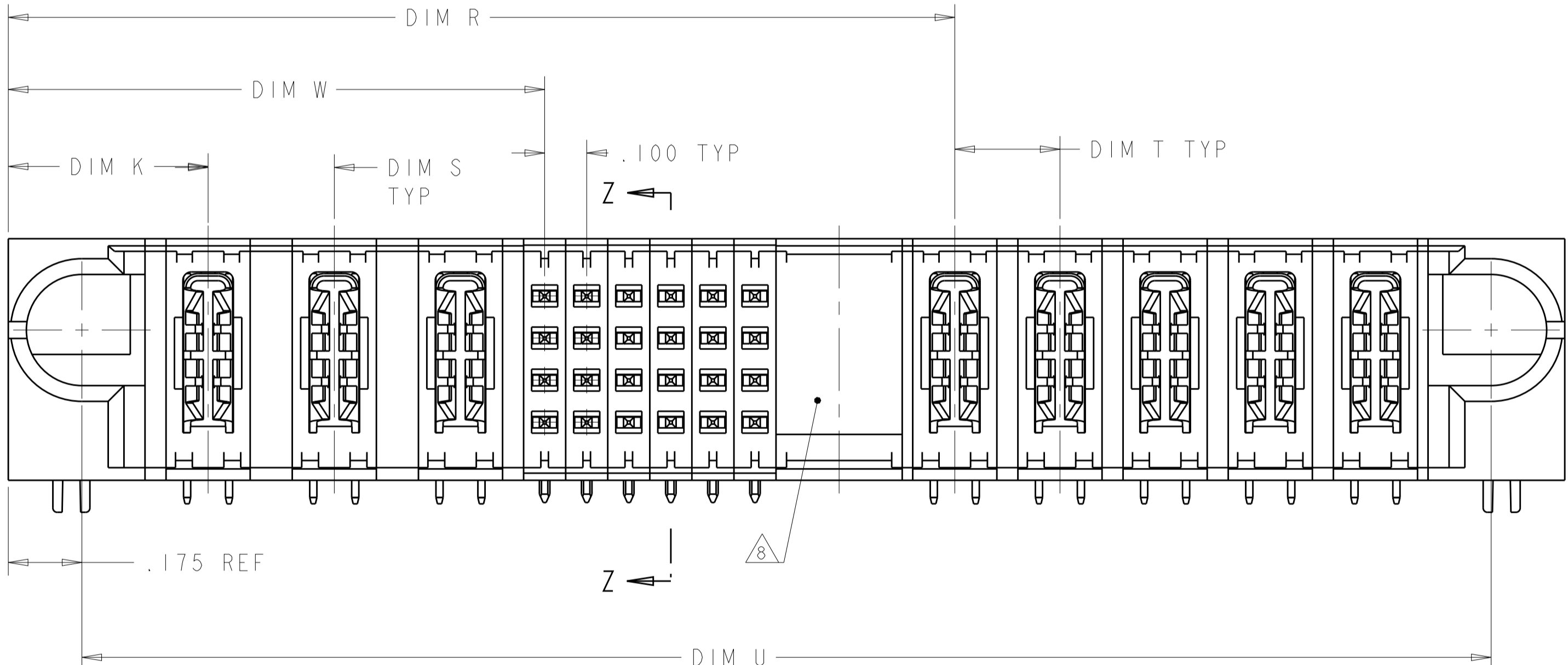
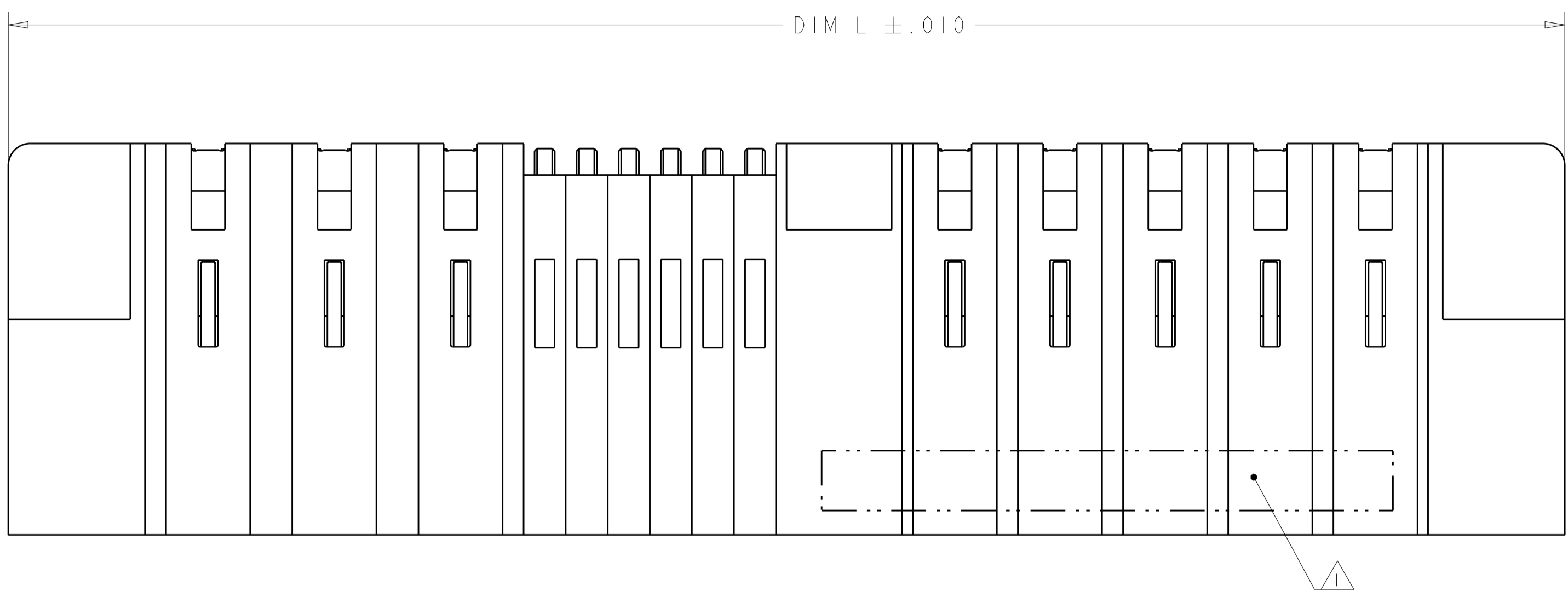
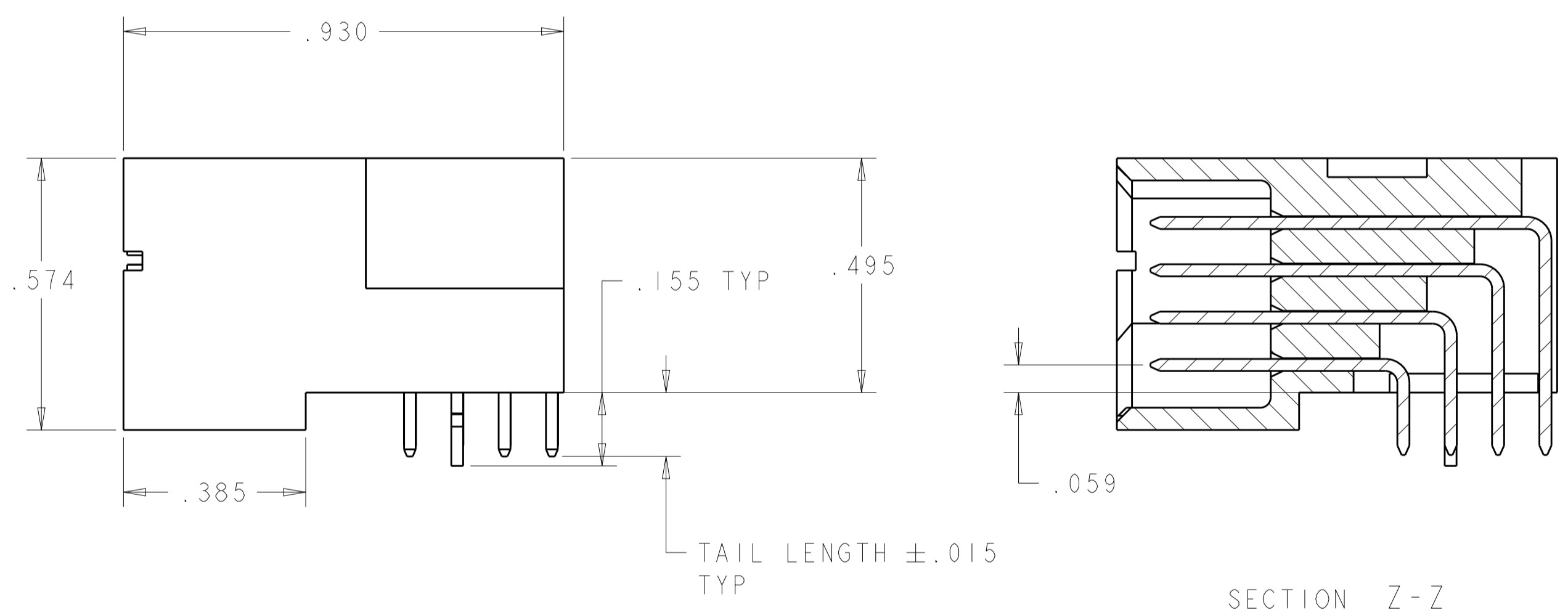


LOC	DIST	REVISIONS					
		P	LTN	DESCRIPTION	DATE	DWN	APVD
ES	00	M1		ADD NEW DASH NUMBER 7-0	08FEB2014	AL	SZ
		M2		ADD NEW DASH NUMBER	21MAR2014	AL	SZ



- 1 "AMP" PART NUMBER AND DATE CODE TO BE MARKED IN AREA SHOWN. PARTS UNDER 2.500 LONG MAY BE MARKED ON BOTH SIDES.
- 2 MATERIAL: HOUSING - GLASS FILLED HIGH TEMP THERMO PLASTIC, UL 94 V-0
 SIGNAL CONTACT - COPPER ALLOY
 POWER CONTACT - HIGH CONDUCTIVITY COPPER ALLOY.
- 3 CONTACT FINISHE:
 NOBLE METAL PLATED ON THE CONTACT FUNCTIONAL AREA OF POWER AND SIGNAL CONTACTS.
- 4 MECHANICAL CONNECTOR KEEP OUT ZONE. WHEN PLACING CONNECTORS END-TO-END, ALLOW ADDITIONAL 0.1 CLEARANCE BETWEEN CONNECTORS FOR LATCH ACTIVATION.
- 5 DATUM AND BASIC DIMENSIONS ESTABLISHED BY CUSTOMER.
- 6 PCB - ALL HOLE DIAMETERS ARE FINISHED HOLE SIZES.
- 7 PCB - .0453 \pm .0010 DRILLED HOLES PLATED WITH .0003 MIN Sn OVER .001 TO .003 Cu PLATING TO ACHIEVE A .040 DIA HOLE.
- 8 OPTIONAL CENTER MODULE WITH \varnothing .150 THRU HOLE OR HOLD DOWN FEATURE.



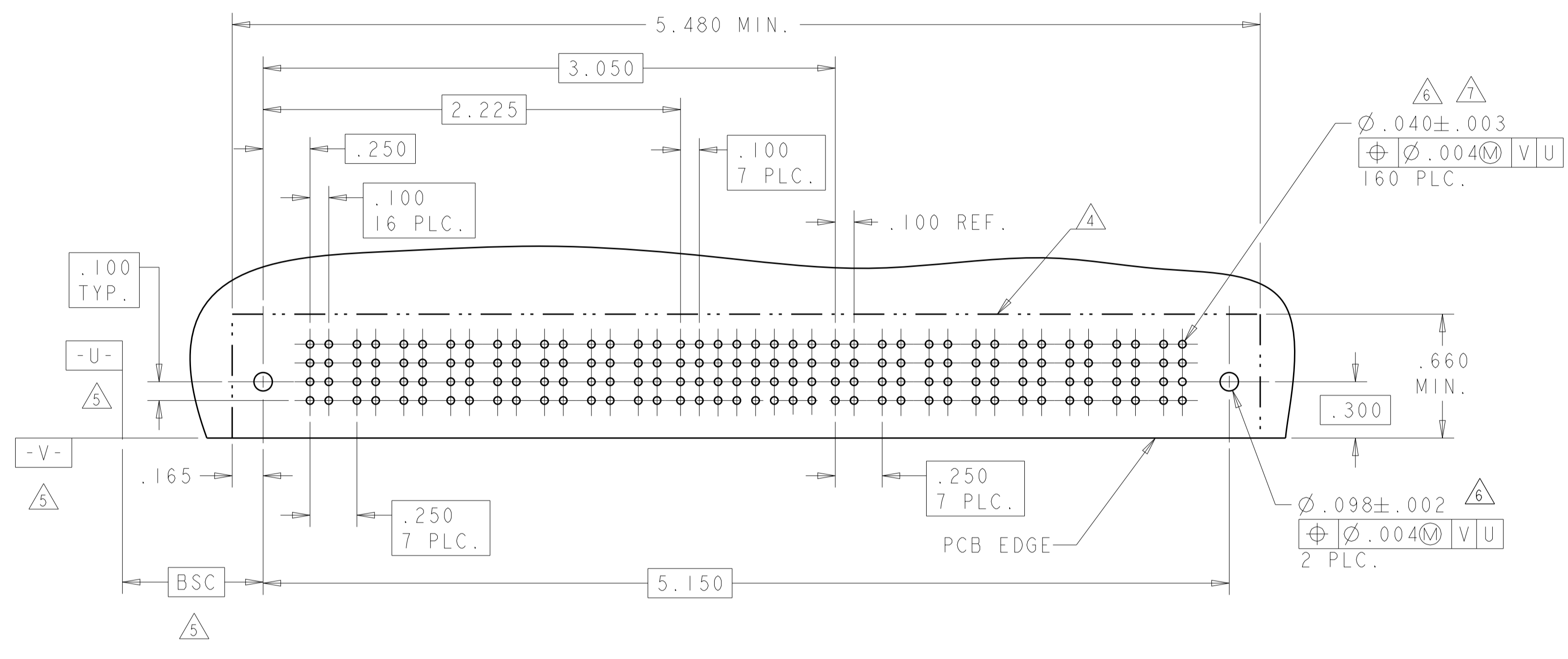
THIS DRAWING IS A CONTROLLED DOCUMENT.

DIMENSIONS: INCHES	TOLERANCES UNLESS OTHERWISE SPECIFIED: 0 PLC \pm 1 PLC $\pm .01$ 2 PLC $\pm .005$ 3 PLC $\pm .0020$ 4 PLC $\pm .0020$ ANGLES $\pm 2^\circ$	DWN: R.GRZYBOWSKI 02FEB05 CHK: M.PERCHEKKE 02FEB05 APVD: M.PERCHEKKE 02FEB05	NAME: RIGHT ANGLE HEADER W/GUIDES ASSEMBLY MULTI-BEAM XL
MATERIAL:	FINISH:	PRODUCT SPEC: 108-1973 APPLICATION SPEC: 114-13038 WEIGHT: -	SIZE: A1 CAGE CODE: 6450120 DRAWING NO: 100779
CUSTOMER DRAWING		SCALE: 4:1	SHEET 1 OF 24 REV: M2

4805 (3/11)

LOC	DIST	REVISIONS					
ES	00	P	LTN	DESCRIPTION	DATE	OWN	APVD
-	-	-	-	SEE SHEET 1	-	-	-

PART NUMBER	ROWS	POWER							SIGNAL								POWER												
		P1	P2	P3	P4	P5	P6	P7	P8	1	2	3	4	5	6	7	8	P9	P10	P11	P12	P13	P14	P15	P16				
6450120-1	D C B A	PM	PM	PM	PM	PM	PM	PM	J	J	J	J	J	J	J	J	PM	PM	PM	PM	PM	PM	PM	PM					
									K	K	K	K	K	K	K	K													
									S	S	S	S	S	S	S	S													
8P + 32S + 8P																													

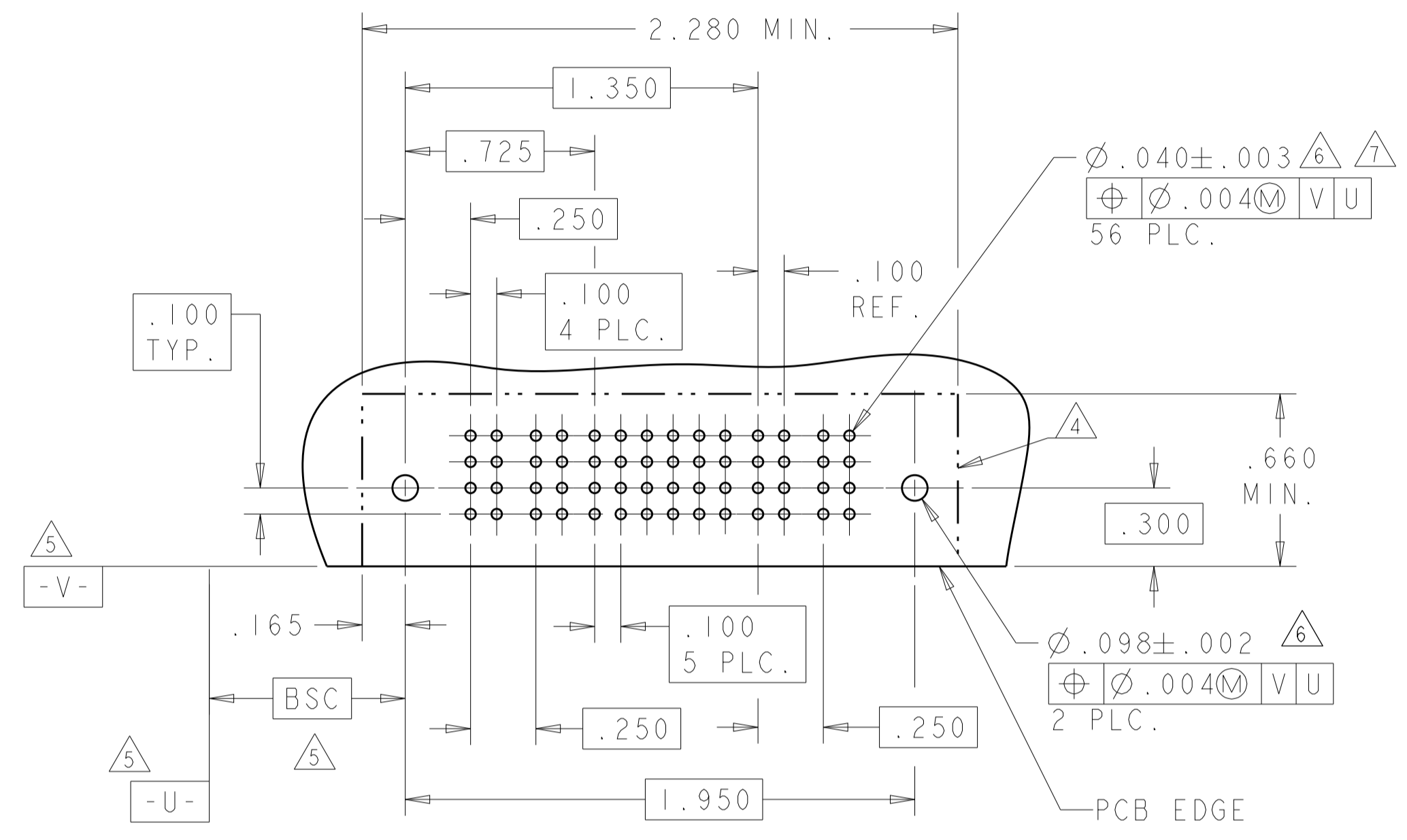


U	S	T	R	W	D	M	L	K	DESCRIPTION	PART NUMBER
1.700	.250	.250	1.300	.875	1.750	-	2.050	.450	2P+16S+2P	7-6450120-1
2.700	.200	-	2.600	1.425	2.750	-	3.050	.450	5P + 44S + 1P	7-6450120-0
1.100	-	-	1.000	.625	1.150	-	1.450	.450	1P+12S+1P	6-6450120-9
1.000	-	-	.900	.625	1.050	-	1.350	.450	1P + 8S + 1P	6-6450120-8
2.850	.300	.200	2.125	1.825	2.900	-	3.200	.450	7HDP + 8S + 3ACP	6-6450120-7
2.650	.250	.200	1.550	.875	2.700	-	3.000	.450	2P + 24S + 6P	6-6450120-6
2.300	.300	.250	1.950	1.275	2.350	-	2.650	.475	3ACP + 24S + 2P	6-6450120-5
3.100	.250	.250	2.250	1.875	3.150	-	3.450	.450	6P + 12S + 4P	6-6450120-4
2.400	.250	.250	1.800	1.125	2.450	-	2.750	.475	3P + 24S + 3P	6-6450120-1
3.000	.300	.250	1.650	1.325	3.050	-	3.350	.475	3ACP + 8S + 6P	6-6450120-0
1.900	.300	.250	1.550	1.275	1.950	-	2.250	.475	3ACP + 8S + 2P	5-6450120-9
2.800	-	-	-	0.375	2.850	-	3.150	-	100S	5-6450120-8
2.700	.250	.250	2.100	1.125	2.750	-	3.050	.450	3P + 36S + 3P	5-6450120-7
1.100	-	-	1.000	.625	1.150	-	1.450	.450	1P + 12S + 1P	5-6450120-6
3.250	.300	.250	2.525	2.175	3.300	-	3.600	.450	7P + 8S + 3ACP	5-6450120-5
2.400	.250	.250	1.550	.875	2.450	-	2.750	.450	2P + 24S + 4P	5-6450120-3
5.400	.300	.300	2.875	2.175	5.450	-	5.750	.475	6P + 24S + 9P	5-6450120-2
3.800	.250	.300	1.875	1.375	3.850	-	4.150	.450	4P + 16S + 7ACP	5-6450120-0
1.600	.250	.250	1.250	.875	1.650	-	1.950	.450	2P + 12S + 2P	4-6450120-9
2.900	.250	.250	2.050	1.375	2.950	-	3.250	.450	4P + 24S + 4P	4-6450120-8
1.900	.250	.250	1.550	0.875	1.950	-	2.250	.450	2P + 24S + 2P	4-6450120-7
2.000	.250	.250	1.400	1.125	2.050	-	2.350	.450	3P + 8S + 3P	4-6450120-6
2.900	.250	.250	3.550	2.875	5.950	-	6.250	.450	10P + 24S + 10P	4-6450120-5
3.700	.200	.300	2.700	2.025	3.750	-	4.050	.450	8P + 24S + 4ACP	4-6450120-4
2.900	.300	.250	2.050	1.575	2.950	-	3.250	.475	4ACP+16S+4P	4-6450120-3
4.375	.250	.300	3.375	2.375	4.425	3.100	4.725	.450	8P + 24S + 1M + 4ACP	4-6450120-2
4.100	.300	.250	2.250	1.575	4.150	-	4.450	.475	4ACP + 24S + 8P	4-6450120-0
3.800	.250	.250	3.450	.875	3.850	-	4.150	.450	2P + 100S + 2P	3-6450120-6
4.600	.250	.250	3.250	1.875	4.650	-	4.950	.450	6P + 52S + 6P	3-6450120-5
5.100	.250	.250	3.500	2.175	5.150	-	5.450	.450	7P + 48S + 7P	3-6450120-4
3.500	.250	.300	2.775	2.375	3.550	-	3.850	.450	8P + 12S + 3ACP	3-6450120-3
4.000	.200	.200	2.700	1.825	4.050	-	4.350	.450	7HDP + 32S + 7HDP	3-6450120-0
3.900	.250	.250	2.550	1.875	3.950	-	4.250	.450	6P + 24S + 6P	2-6450120-7
5.200	.300	.250	2.350	1.625	5.250	-	5.550	.475	4ACP + 24S + 12P	2-6450120-6
2.500	.250	.250	2.150	1.425	2.550	-	2.850	.450	4P + 24S + 2P	2-6450120-5
3.600	.250	.250	2.500	1.625	3.650	-	3.950	.450	5P + 32S + 5P	2-6450120-4
2.500	.250	.250	2.150	.875	2.550	-	2.850	.450	2P + 48S + 2P	2-6450120-3
4.500	.300	.250	1.650	.975	4.550	-	4.850	.475	2ACP + 24S + 12P	2-6450120-2
2.850	.250	.250	2.000	1.125	2.900	-	3.200	.450	3P + 32S + 4P	2-6450120-1
3.950	.200	.250	2.125	1.025	4.000	-	4.300	.425	3P + 40S + 8P	2-6450120-0
1.400	-	-	1.300	.625	1.450	-	1.750	.450	1P + 24S + 1P	1-6450120-6
2.000	.300	.300	1.575	.975	2.050	-	2.350	.475	2P + 20S + 2P	1-6450120-4
1.200	-	-	1.100	.625	1.250	-	1.550	.450	1P + 16S + 1P	1-6450120-3
2.400	.250	.250	1.800	1.125	2.450	-	2.750	.450	3P + 24S + 3P	1-6450120-2
2.675	.200	.200	2.375	1.650	2.725	-	3.025	.450	5P + 24S + 2P	1-6450120-1
4.350	.250	.250	3.500	2.625	4.400	-	4.700	.450	9P + 32S + 4P	1-6450120-0
4.150	.250	.250	2.800	2.125	4.200	-	4.500	.450	7P + 24S + 6P	6450120-9
2.800	.250	.300	2.075	1.375	2.850	-	3.150	.450	4P + 24S + 3ACP	6450120-8
3.050	.300	.250	1.950	1.275	3.100	-	3.400	.475	3ACP + 24S + 5P	6450120-7
7.400	.250	.250	5.050	2.875	7.450	-	7.750	.450	10P + 84S + 10P	6450120-6
4.350	.250	.250	3.000	2.125	4.400	-	4.700	.450	7P + 32S + 6P	6450120-5
3.650	.250	.250	2.550	1.875	3.700	-	4.000	.450	6P + 24S + 5P	6450120-4
2.900	.250	.250	1.800	1.125	2.950	-	3.250	.450	3P + 24S + 5P	6450120-3
1.900	.250	.250	1.550	0.875	1.950	-	2.250	.450	2P + 24S + 2P	6450120-2
5.100	.250	.250	3.250	2.375	5.150	-	5.450	.450	8P + 32S + 8P	6450120-1

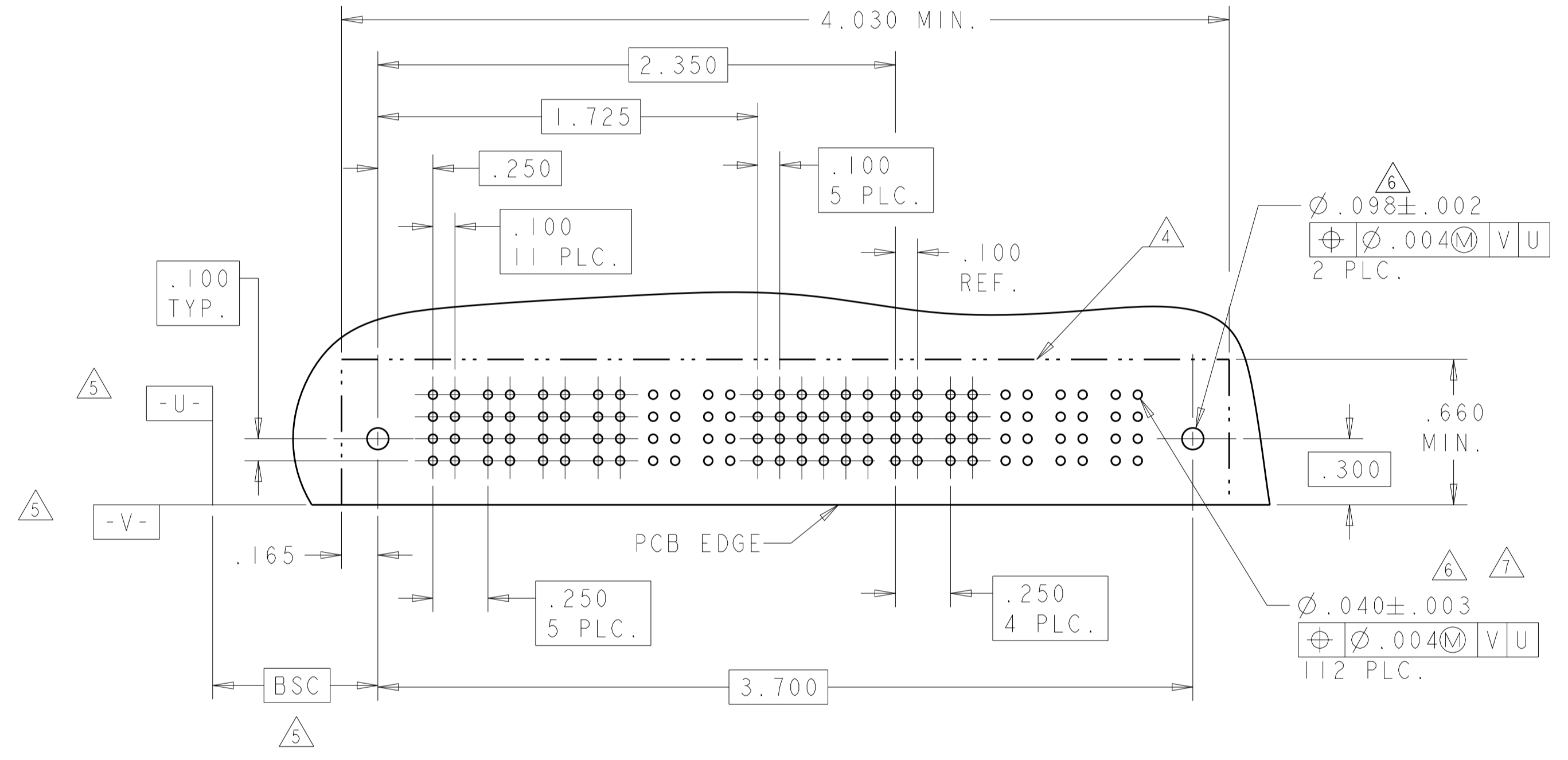
THIS DRAWING IS A CONTROLLED DOCUMENT. DIMENSIONS: INCHES. TOLERANCES UNLESS OTHERWISE SPECIFIED: 0 PLC ±.01, 1 PLC ±.01, 2 PLC ±.01, 3 PLC ±.005, 4 PLC ±.002, ANGLES ±.020. MATERIAL: FINISH: THIS DRAWING IS A CONTROLLED DOCUMENT. DWG: R. GRZYBOWSKI, CHK: M. PERCHERKE, APVD: M. PERCHERKE. NAME: RIGHT ANGLE HEADER W/GUIDES ASSEMBLY MULTI-BEAM XL. SIZE: A100779, CAGE CODE: 6450120, SCALE: 4:1, SHEET 2 OF 24, REV: M2.

LOC	DIST	REV	DATE	BY	APPV
ES	00				

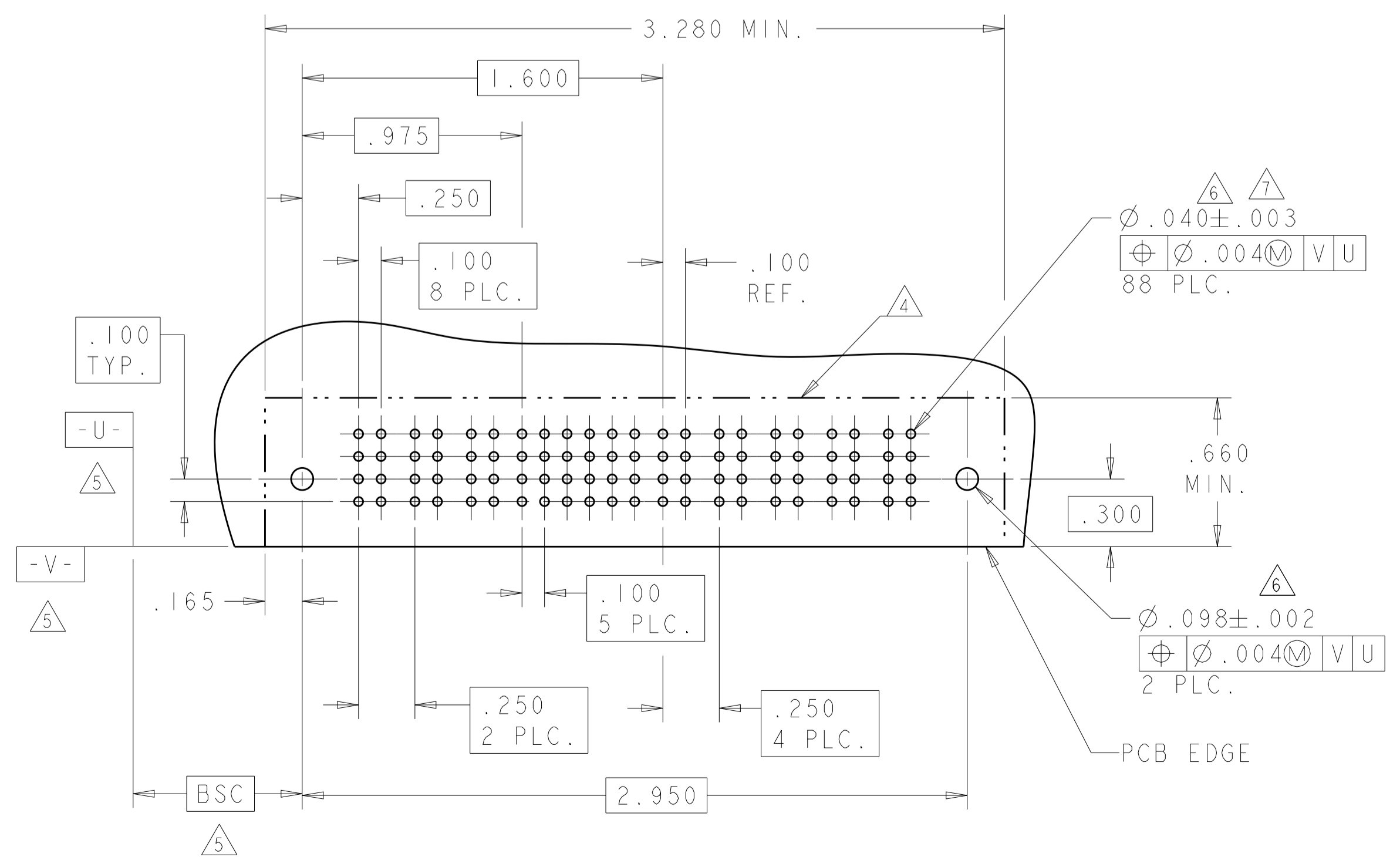
PART NUMBER	ROWS	POWER		SIGNAL						POWER			
		P1	P2	1	2	3	4	5	6	P3	P4		
6450120-2	D C B A	PM	PM	J	J	J	J	J	J	PM	PM	HD	HD
				K	K	K	K	K	K				
				N	N	N	N	N	N				
				S	S	S	S	S	S				
2P + 24S + 2P													



PART NUMBER	ROWS	POWER						SIGNAL						POWER							
		P1	P2	P3	P4	P5	P6	1	2	3	4	5	6	P7	P8	P9	P10	P11			
6450120-4	D C B A	PM	PM	PM	PM	PM	PM	J	J	J	J	J	J	PM	PM	PM	PM	PM	PM	PM	PM
								K	K	K	K	K	K								
								N	N	N	N	N	N								
								S	S	S	S	S	S								
6P + 24S + 5P																					



PART NUMBER	ROWS	POWER			SIGNAL						POWER					
		P1	P2	P3	1	2	3	4	5	6	P4	P5	P6	P7	P8	
6450120-3	D C B A	PM	PM	PM	J	J	J	J	J	J	PM	PM	PM	PM	PM	PM
					K	K	K	K	K	K						
					N	N	N	N	N	N						
					S	S	S	S	S	S						
3P + 24S + 5P																



H	MLBF	.135	A
G	MLBF	.135	B
F	MLBF	.135	C
E	MLBF	.135	D
L4	STD	.165	D
L3	STD	.165	B
L2	STD	.165	C
L1	STD	.165	A
Z	STD	.090	D
Y	STD	.090	C
R	STD	.090	B
O	STD	.090	A
F	MLBF	.135	C
G	MLBF	.135	B
J	STD	.135	D
K	STD	.135	C
N	STD	.135	B
S	STD	.135	A
CODE	MATING SEQUENCE	TAIL LENGTH	ROW
SIGNAL CONTACT			

PD	.165
PA	.090
PM	.135
CODE	TAIL LENGTH
POWER CONTACT	

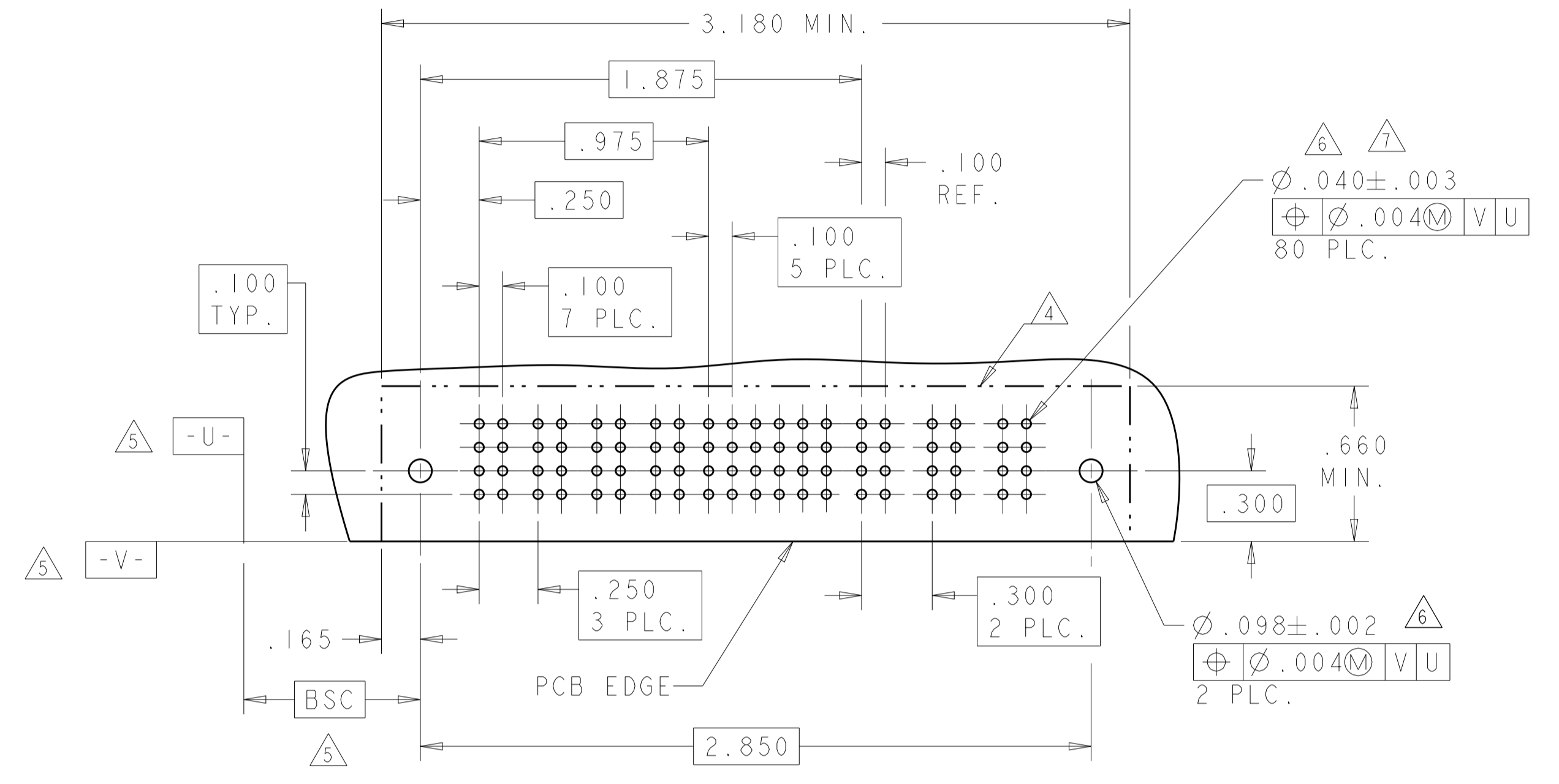
THIS DRAWING IS A CONTROLLED DOCUMENT. **STE** TE Connectivity

DIMENSIONS: INCHES	TOLERANCES UNLESS OTHERWISE SPECIFIED:	0 PLC ±.01	1 PLC ±.01	2 PLC ±.01	3 PLC ±.01	4 PLC ±.005	5 PLC ±.005	6 PLC ±.002	ANGLES ±.020
MATERIAL	FINISH	NAME: RIGHT ANGLE HEADER W/GUIDES ASSEMBLY MULTI-BEAM XL		SIZE: A100779	CAGE CODE: C=6450120	DRAWING NO: 108-1973	APPLICATION SPEC: 114-13038	WEIGHT	RESTRICTED TO
CUSTOMER DRAWING		SCALE: 4:1		SHEET 3 OF 24		REV: M2			

LOC	DIST	REVISIONS				
ES	00	P	LTN	DATE	DWN	APVD
-	-	SEE SHEET 1			-	-

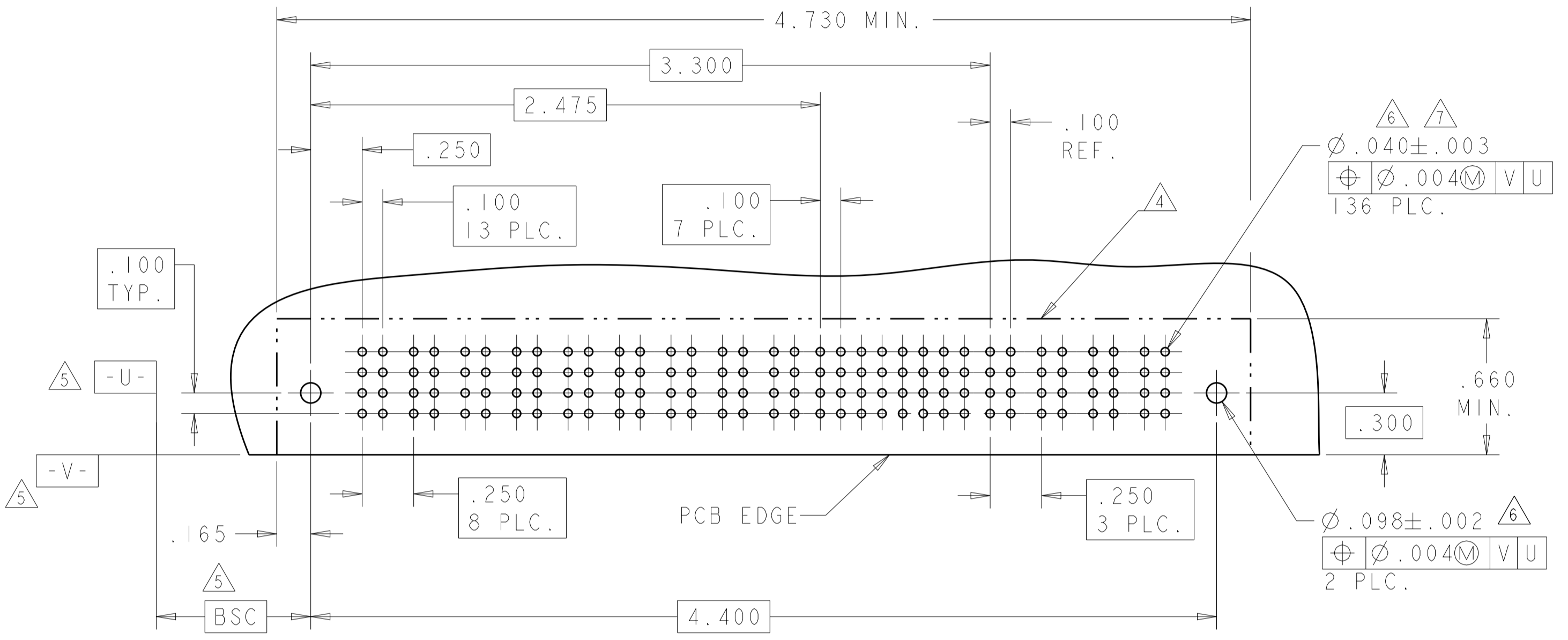
PART NUMBER	ROWS	POWER				SIGNAL						POWER		
		P1	P2	P3	P4	1	2	3	4	5	6	P5	P6	P7
6450120-8	D C B A	PM	PM	PM	PM	J	J	J	J	J	J	PM	PM	PM
						K	K	K	K	K	K			
						N	N	N	N	N	N			
						S	S	S	S	S	S			

4P + 24S + 3ACP



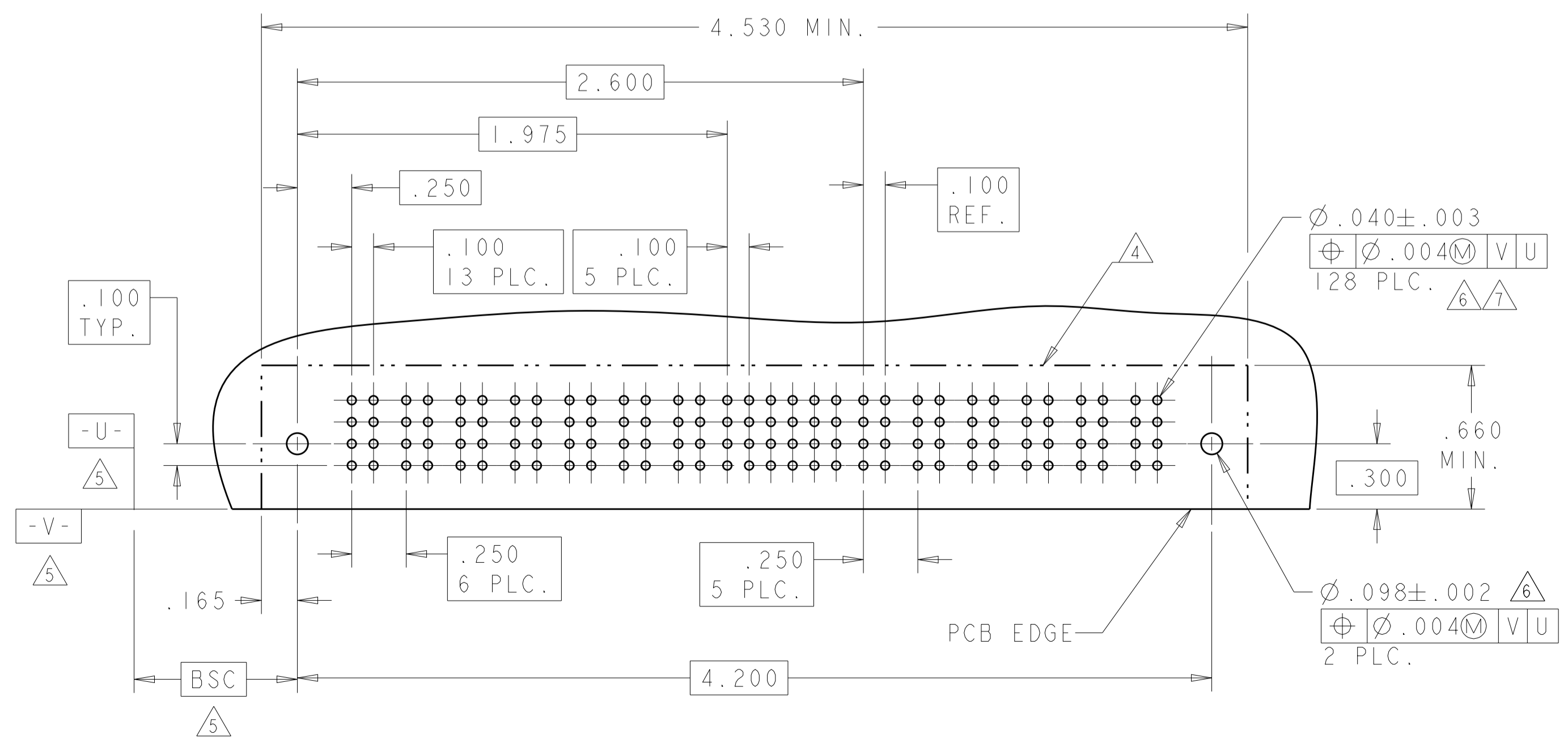
PART NUMBER	ROWS	POWER									SIGNAL								POWER			
		P1	P2	P3	P4	P5	P6	P7	P8	P9	1	2	3	4	5	6	7	8	P10	P11	P12	P13
1-6450120-0	D C B A	PM	PM		PM	PM	PM	PM	PM	PM	J	J	J	J	J	J	J	J	PM	PM	PM	PM
											K	K	K	K	K	K	K	K				
											N	N	N	N	N	N	N	N				
											S	S	S	S	S	S	S	S				

9P + 32S + 4P



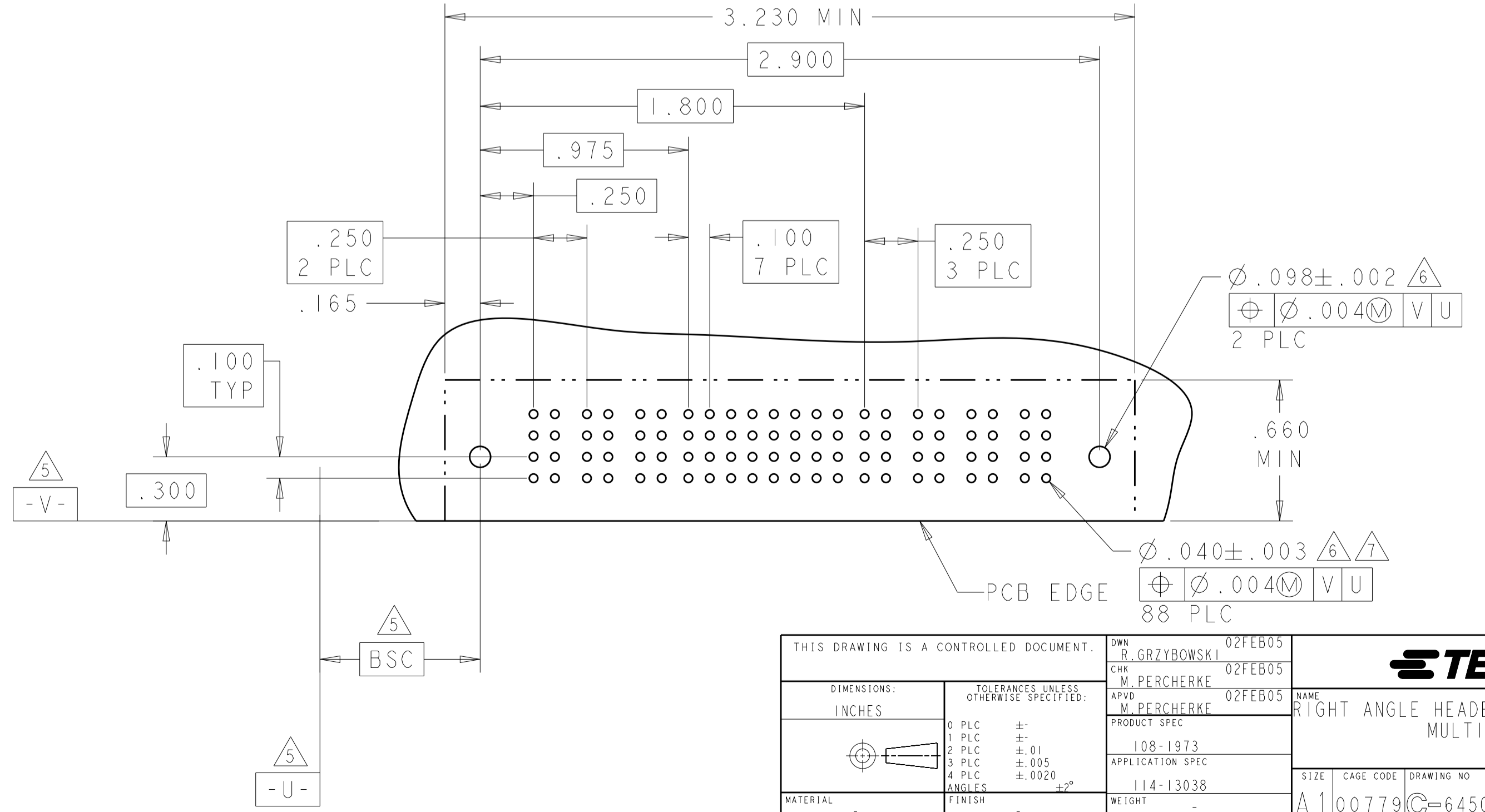
PART NUMBER	ROWS	POWER							SIGNAL						POWER					
		P1	P2	P3	P4	P5	P6	P7	1	2	3	4	5	6	P8	P9	P10	P11	P12	P13
6450120-9	D C B A	PM	PM	PM	PM	PM	PM	PM	J	J	J	J	J	J	PM	PM	PM	PM	PM	PM
									K	K	K	K	K	K						
									N	N	N	N	N	N						
									S	S	S	S	S	S						

7P + 24S + 6P



PART NUMBER	ROWS	POWER			SIGNAL								POWER				
		P1	P2	P3	1	2	3	4	5	6	7	8	P4	P5	P6	P7	
2-1450120-1	4 3 2 1	PM	PM	PM	J	J	J	J	J	J	J	J	J	PM	PM	PM	PM
					K	K	K	K	K	K	K	K	K				
					N	N	N	N	N	N	N	N	N				
					S	S	S	S	S	S	S	S	S				

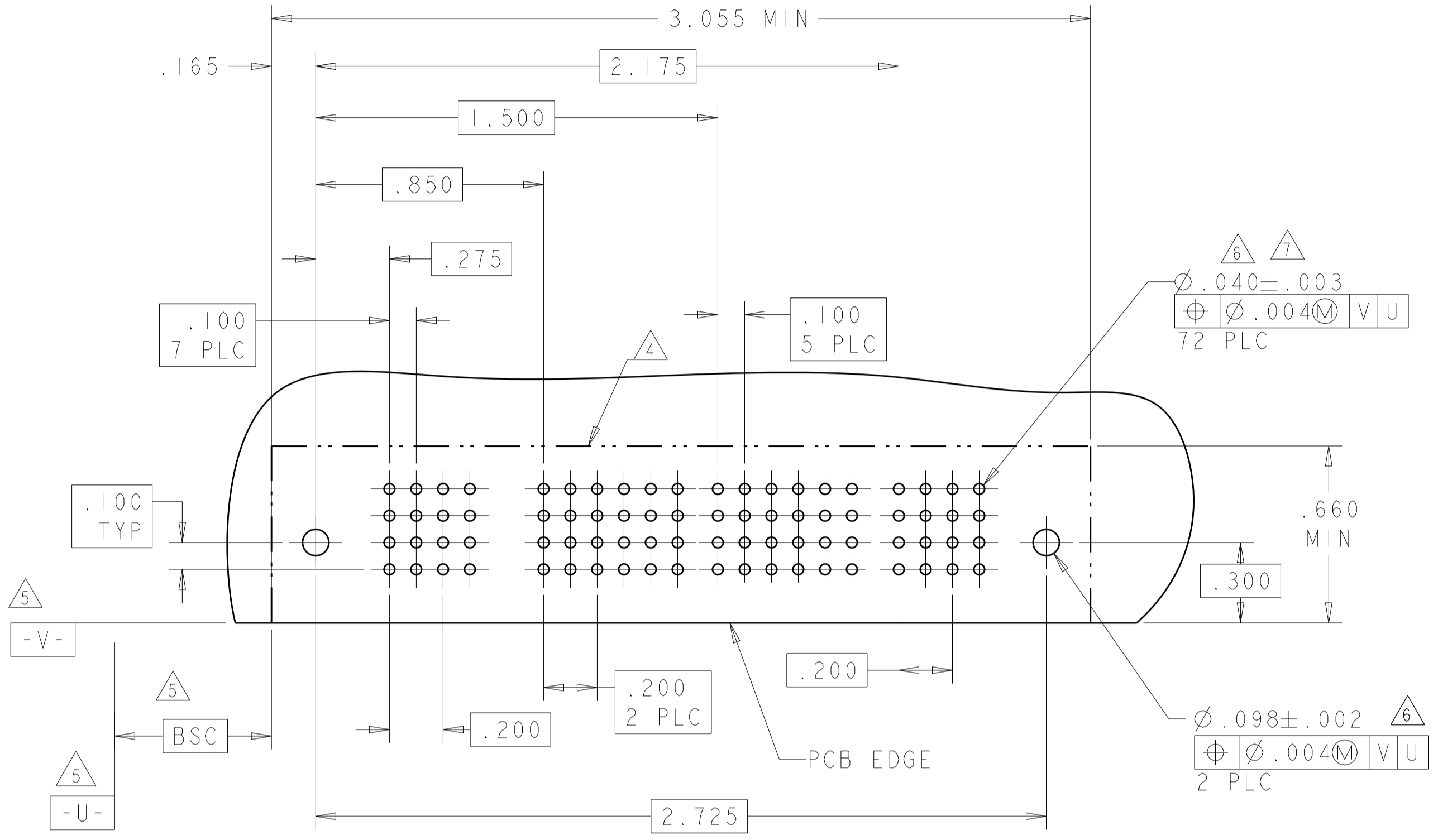
3P + 32S + 4P



THIS DRAWING IS A CONTROLLED DOCUMENT.		DWN R. GRZYBOWSKI	02FEB05	STE TE Connectivity	
DIMENSIONS: INCHES		CHK M. PERCHERKE	02FEB05		
TOLERANCES UNLESS OTHERWISE SPECIFIED:		APVD M. PERCHERKE		NAME RIGHT ANGLE HEADER W/GUIDES ASSEMBLY MULTI-BEAM XL	
0 PLC ± .01		PRODUCT SPEC		SIZE 108-1973	
1 PLC ± .01		APPLICATION SPEC		SCALE 114-13038	
2 PLC ± .005		MATERIAL		CAGE CODE A100779	
3 PLC ± .002		FINISH		DRAWING NO C=6450120	
ANGLES ± .002		WEIGHT		SHEET 5 OF 24	
CUSTOMER DRAWING		SCALE 4:1		REV M2	

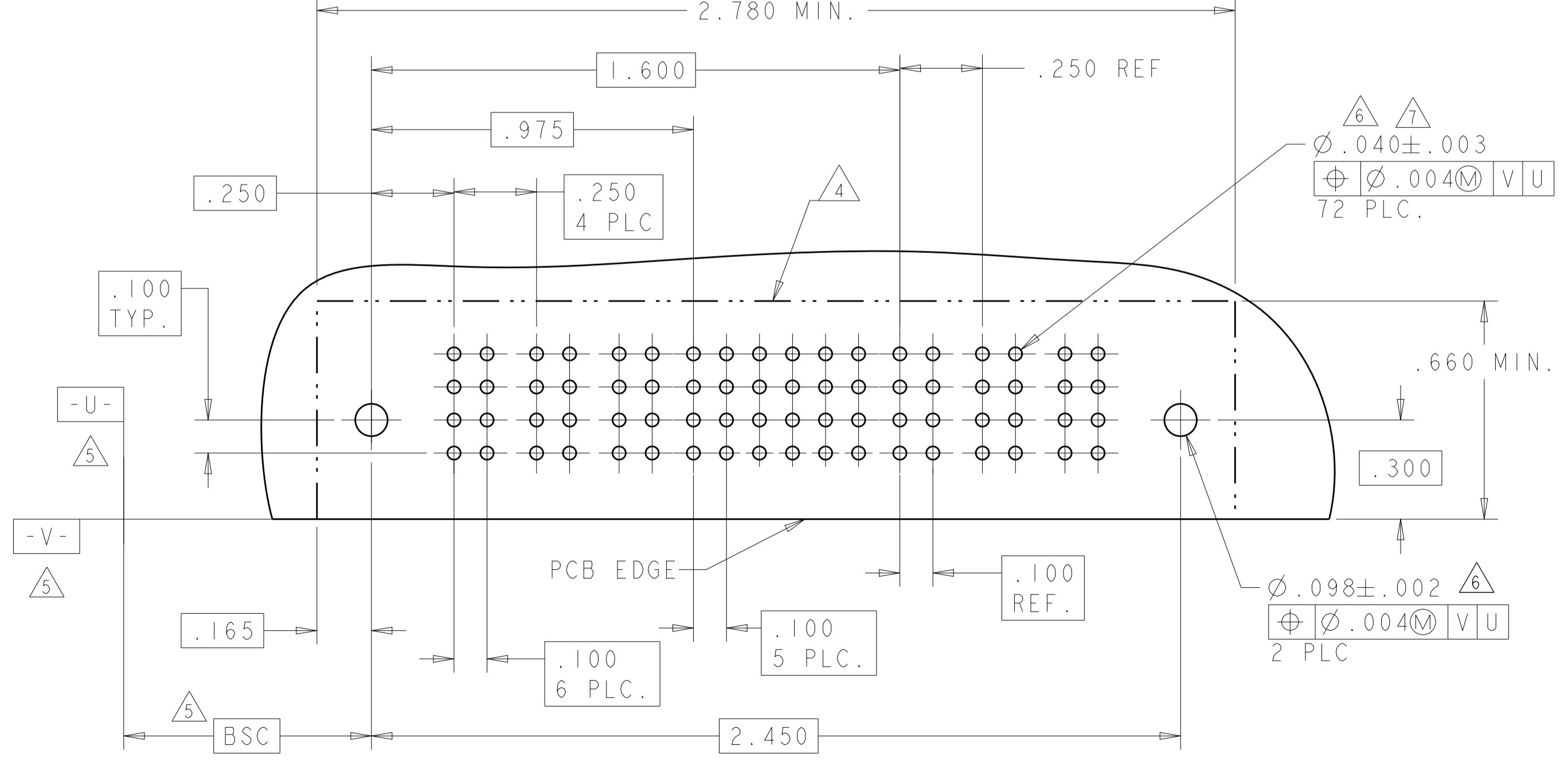
PART NUMBER	ROWS	POWER					SIGNAL						POWER	
		P1	P2	P3	P4	P5	1	2	3	4	5	6	P6	P7
I-6450120-1	D	PM	PM	PM	PM	J	J	J	J	J	J	PM	PM	HD
	C					K	K	K	K	K	K			
	B					N	N	N	N	N	N			
A	S	S	S	S	S	S	HD							

5P + 24S + 2P



PART NUMBER	ROWS	POWER			SIGNAL						POWER			
		P1	P2	P3	1	2	3	4	5	6	P4	P5	P6	
I-6450120-2	D	PM	PM	PM	J	J	J	J	J	J	PM	PM	PM	HD
	C				K	K	K	K	K	K				
	B				N	N	N	N	N	N				
A	S	S	S	S	S	S	HD							

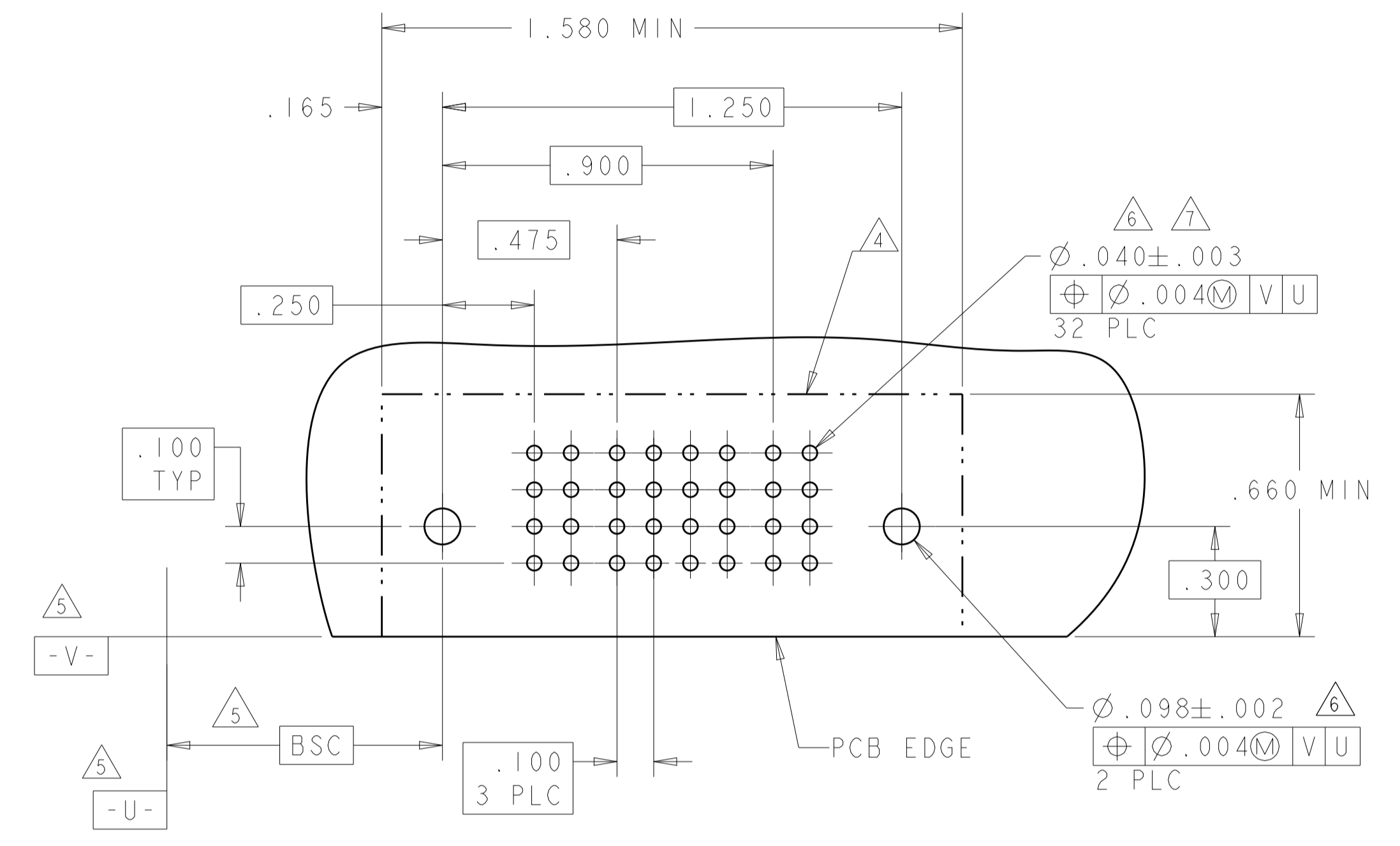
3P + 24S + 3P



LOC	DIST	REVISIONS					
ES	00	P	LTN	DESCRIPTION	DATE	DMN	APVD
-	-	-	-	SEE SHEET 1	-	-	-

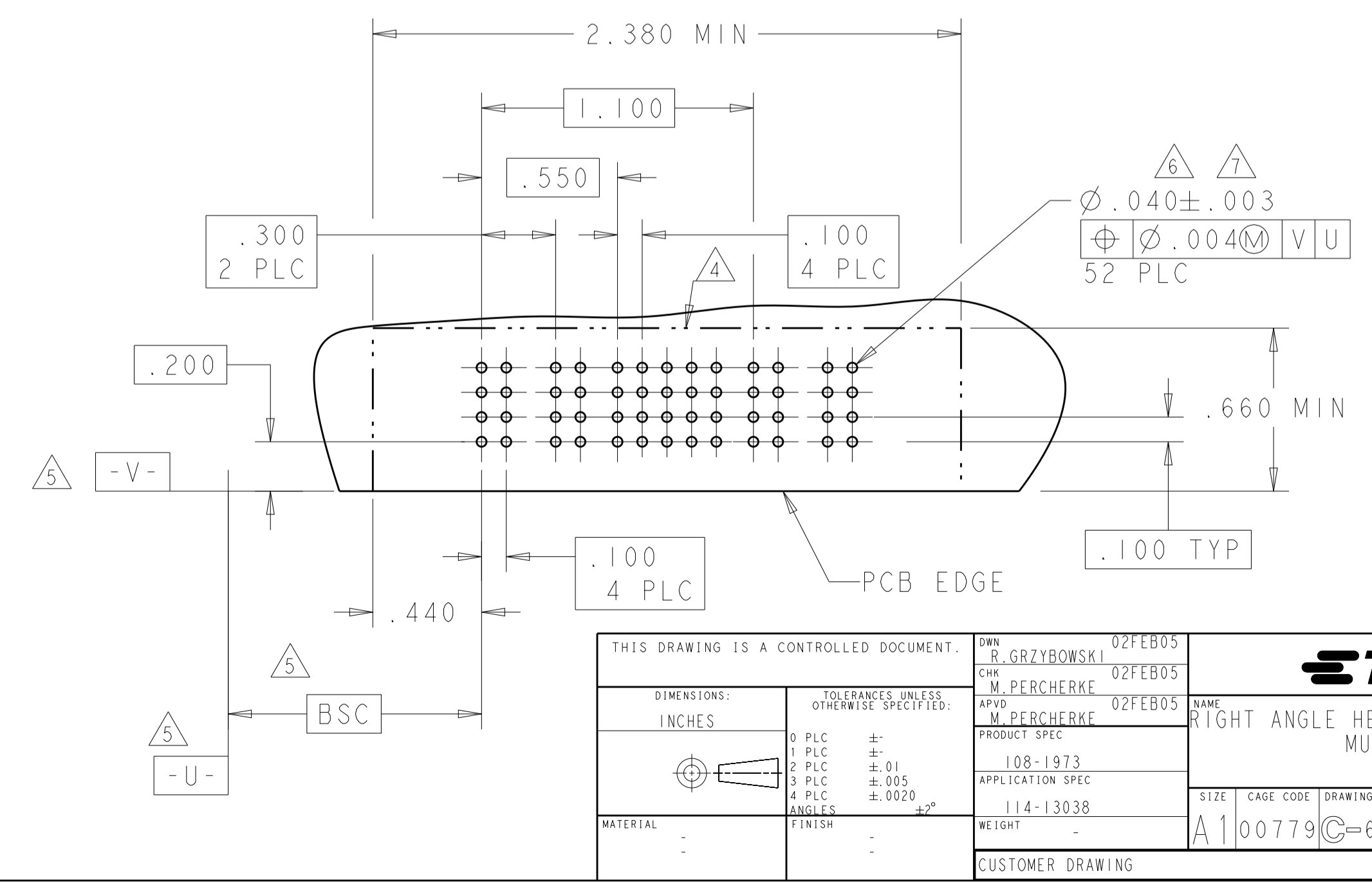
PART NUMBER	ROWS	POWER		SIGNAL				POWER	
		P1	P2	1	2	3	4	P2	
I-6450120-3	D	PM	PM	J	J	J	J	PM	HD
	C			K	K	K	K		
	B			N	N	N	N		
A	S	S	S	S	HD				

IP + 16S + IP



PART NUMBER	ROWS	POWER		SIGNAL					POWER			
		P1	P2	1	2	3	4	5	P3	P4		
I-6450120-4	D	PM	PM	J	J	J	J	J	J	PM	PM	HD
	C			K	K	K	K	K				
	B			N	N	N	N	N				
A	S	S	S	S	S	HD						

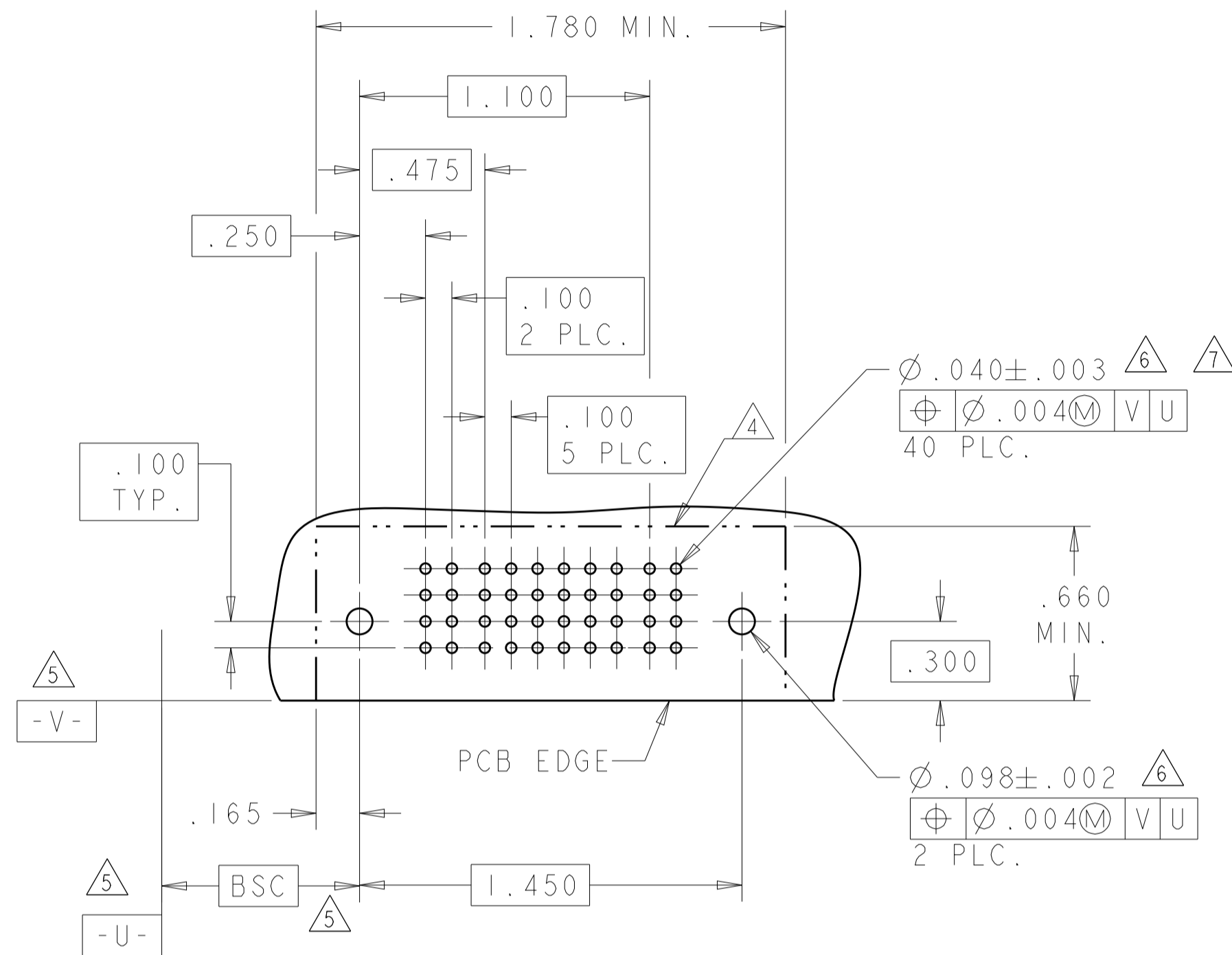
2P + 20S + 2P



THIS DRAWING IS A CONTROLLED DOCUMENT.

DMN: R. GRZYBOWSKI	02FEB05	STE TE Connectivity
CHK: M. PERCHERKE	02FEB05	
APVD: M. PERCHERKE	02FEB05	RIGHT ANGLE HEADER W/GUIDES ASSEMBLY MULTI-BEAM XL
PRODUCT SPEC	108-1973	
APPLICATION SPEC	114-13038	
MATERIAL:	FINISH:	SIZE: A100779
CUSTOMER DRAWING		SCALE: 4:1 SHEET 6 OF 24 REV: M2

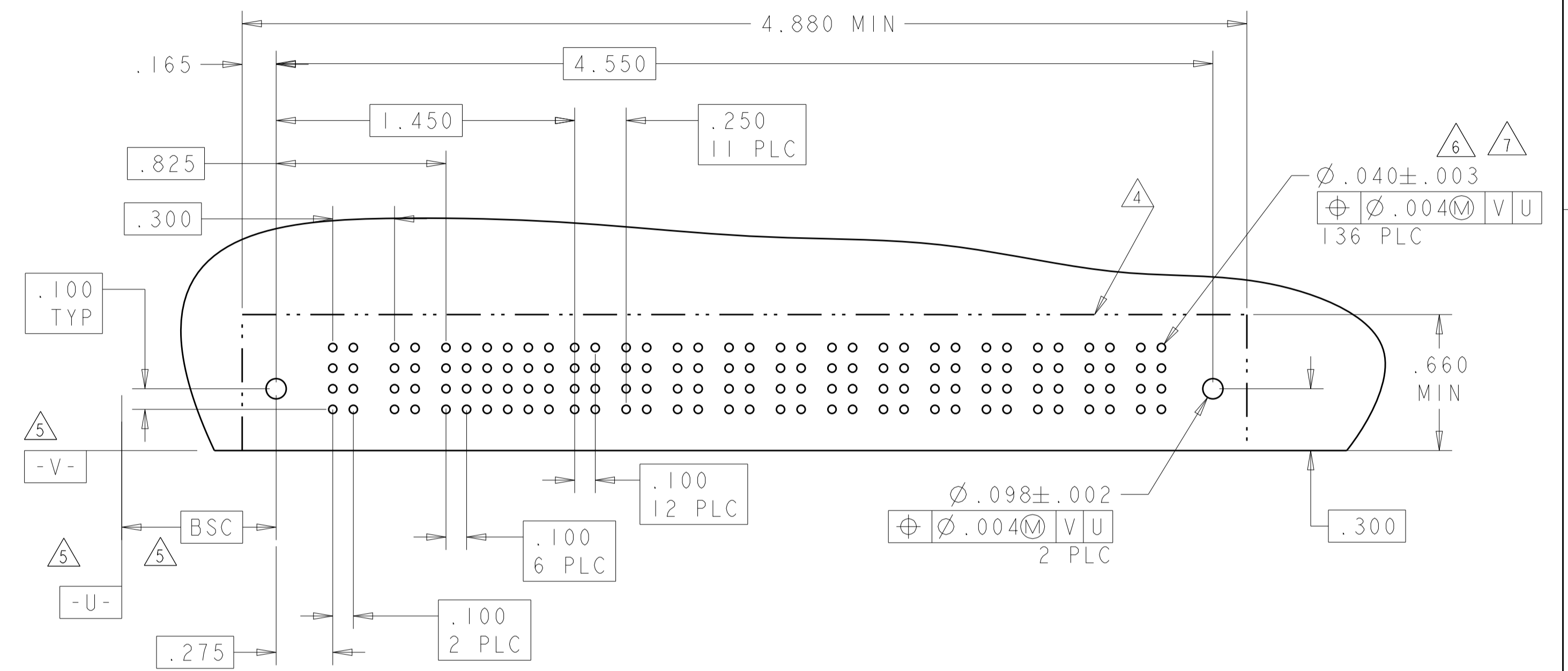
PART NUMBER	ROWS	POWER		SIGNAL						POWER			
		P1	P2	1	2	3	4	5	6	P7	P8		
1-6450120-6	D	PA	PA	Z	Z	Z	Z	Z	Z	PA	PA	HD	HD
	C			Y	Y	Y	Y	Y	Y				
	B			R	R	R	R	R	R				
A	O	O	O	O	O	O							
IP + 24S + IP													



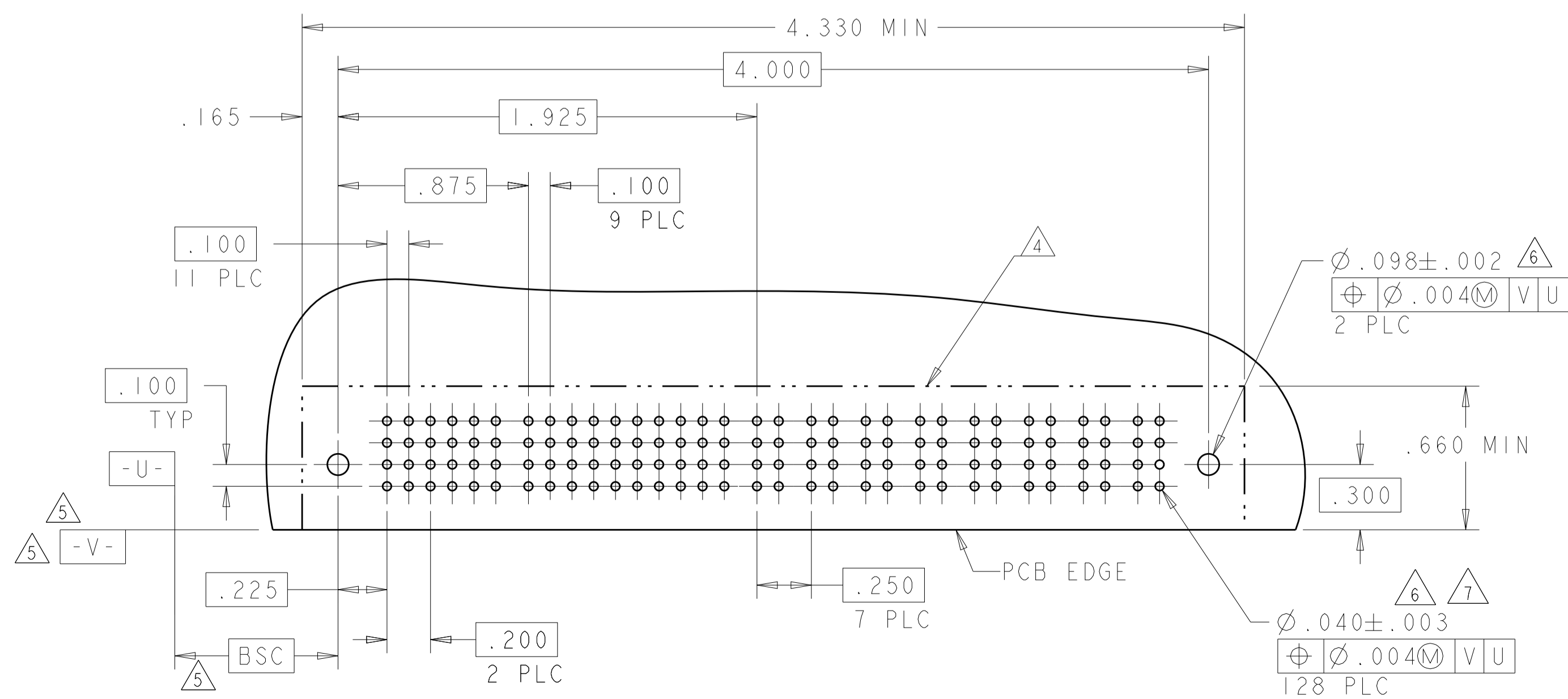
LOC	DIST	REV	DATE	APP'D
ES	00			

REVISIONS		DATE	OWN	APP'D
1	SEE SHEET 1			

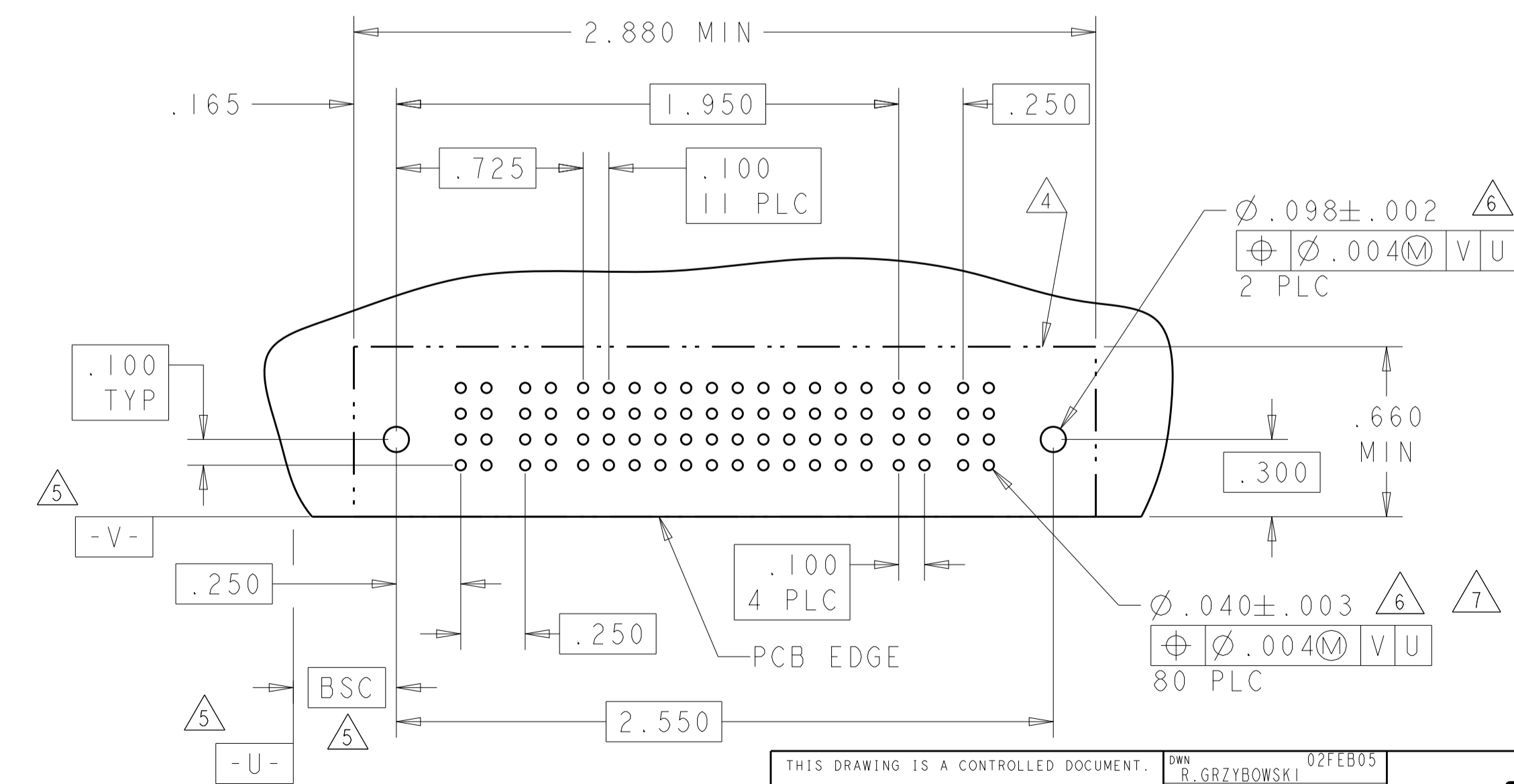
PART NUMBER	ROWS	POWER		SIGNAL						POWER														
		P1	P2	1	2	3	4	5	6	P3	P4	P5	P6	P7	P8	P9	P10	P11	P12	P13	P14			
2-6450120-2	D	PM	PM	J	J	J	J	J	J	PM	PM	PM	PM	PM	PM	PM	PM	PM	PM	PM	PM	PM	PM	PM
	C			K	K	K	K	K	K															
	B			N	N	N	N	N	N															
A	S	S	S	S	S	S																		
2ACP + 24S + 12P																								



PART NUMBER	ROWS	POWER			SIGNAL										POWER										
		P1	P2	P3	1	2	3	4	5	6	7	8	9	10	P4	P5	P6	P7	P8	P9	P10	P11			
2-6450120-0	D	PM	PM	PM	J	J	J	J	J	J	J	J	J	J	PM	PM	PM	PM	PM	PM	PM	PM	PM	PM	PM
	C				K	K	K	K	K	K	K	K	K												
	B				N	N	N	N	N	N	N	N	N	N											
A	S	S	S	S	S	S	S	S	S																
3P + 40S + 8P																									



PART NUMBER	ROWS	POWER		SIGNAL												POWER	
		P1	P2	1	2	3	4	5	6	7	8	9	10	11	12	P3	P4
2-6450120-3	D	PM	PM	J	J	J	J	J	J	J	J	J	J	J	J	PM	PM
	C			K	K	K	K	K	K	K	K	K	K	K			
	B			N	N	N	N	N	N	N	N	N	N	N	N		
A	S	S	S	S	S	S	S	S	S	S	S	S					
2P + 48S + 2P																	



THIS DRAWING IS A CONTROLLED DOCUMENT.

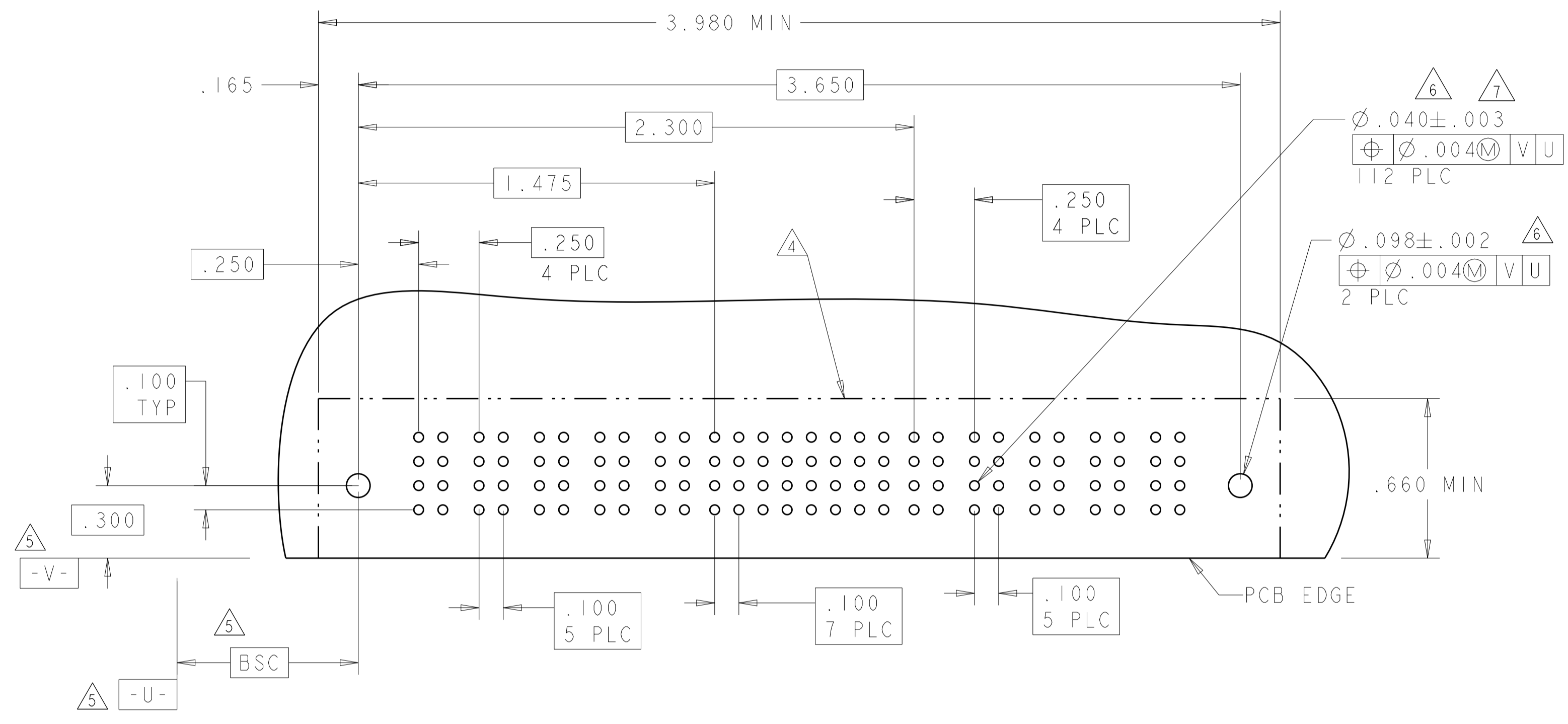
OWN: R. GRZYBOWSKI	02FEB05
CHK: M. PERCHERKE	02FEB05
APP'D: M. PERCHERKE	02FEB05
PRODUCT SPEC	108-1973
APPLICATION SPEC	114-13038
WEIGHT	A100779
CUSTOMER DRAWING	SCALE 4:1 SHEET 7 OF 24 REV M2

STE TE Connectivity

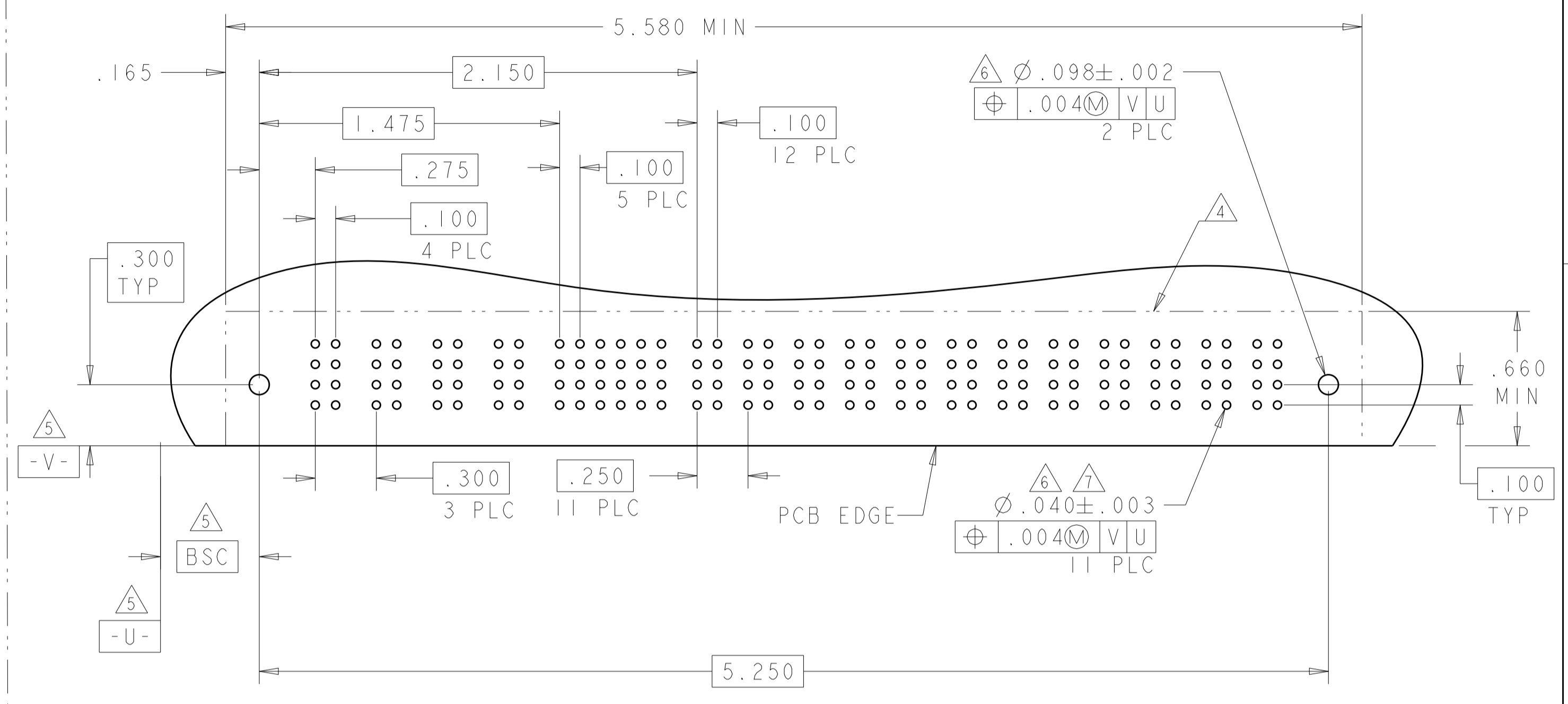
RIGHT ANGLE HEADER W/GUIDES ASSEMBLY MULTI-BEAM XL

LOC		DIST		REVISIONS			
ES	00	P	LTM	DESCRIPTION	DATE	DWN	APVD
		-	-	SEE SHEET 1			

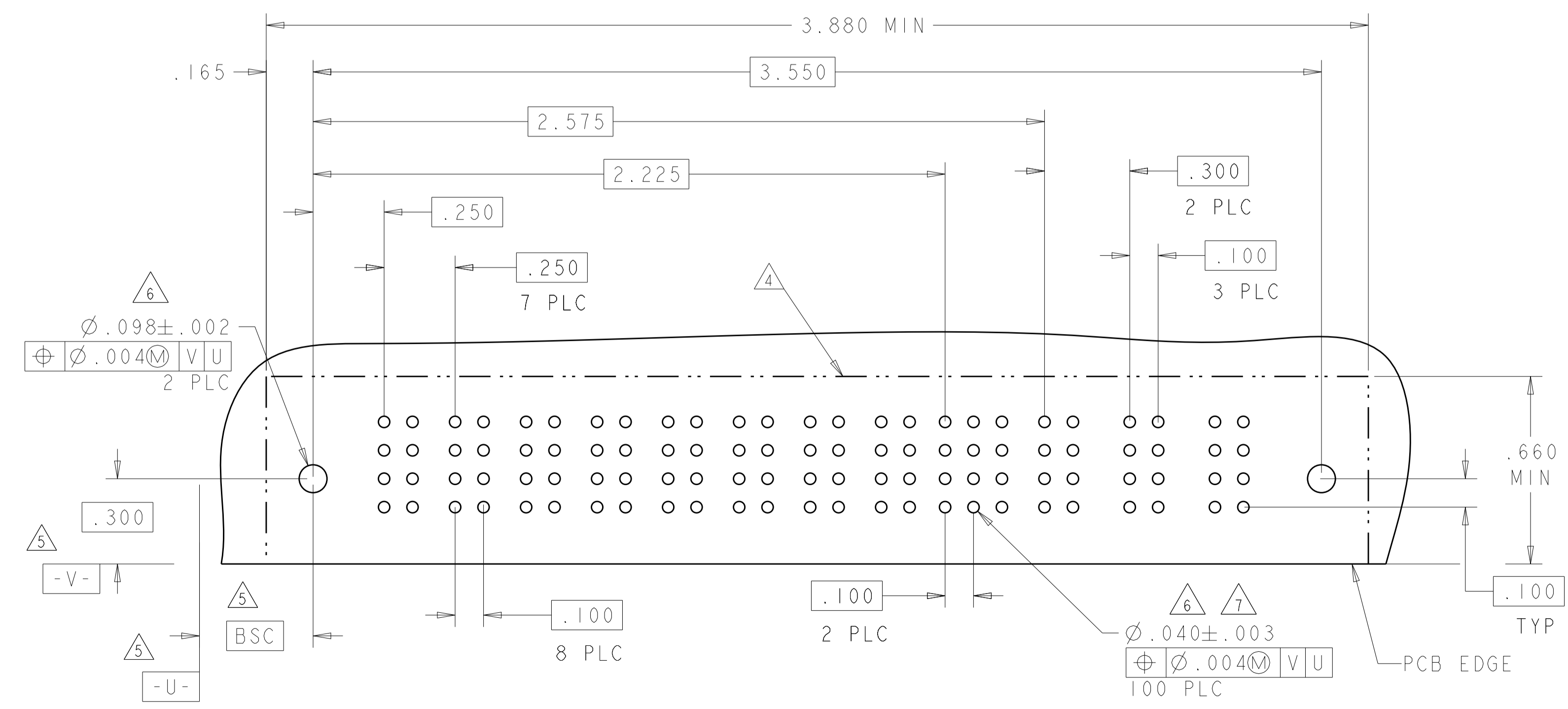
PART NUMBER	ROWS	POWER					SIGNAL								POWER						
		P1	P2	P3	P4	P5	1	2	3	4	5	6	7	8	P6	P7	P8	P9	P10		
2-6450120-4	D C B A	PM	PM	PM	PM	PM	J	J	J	J	J	J	J	J	J	J	PM	PM	PM	PM	PM
							K	K	K	K	K	K	K	K	K	K					
							N	N	N	N	N	N	N	N	N	N					
5P + 32S + 5P		HD																			HD



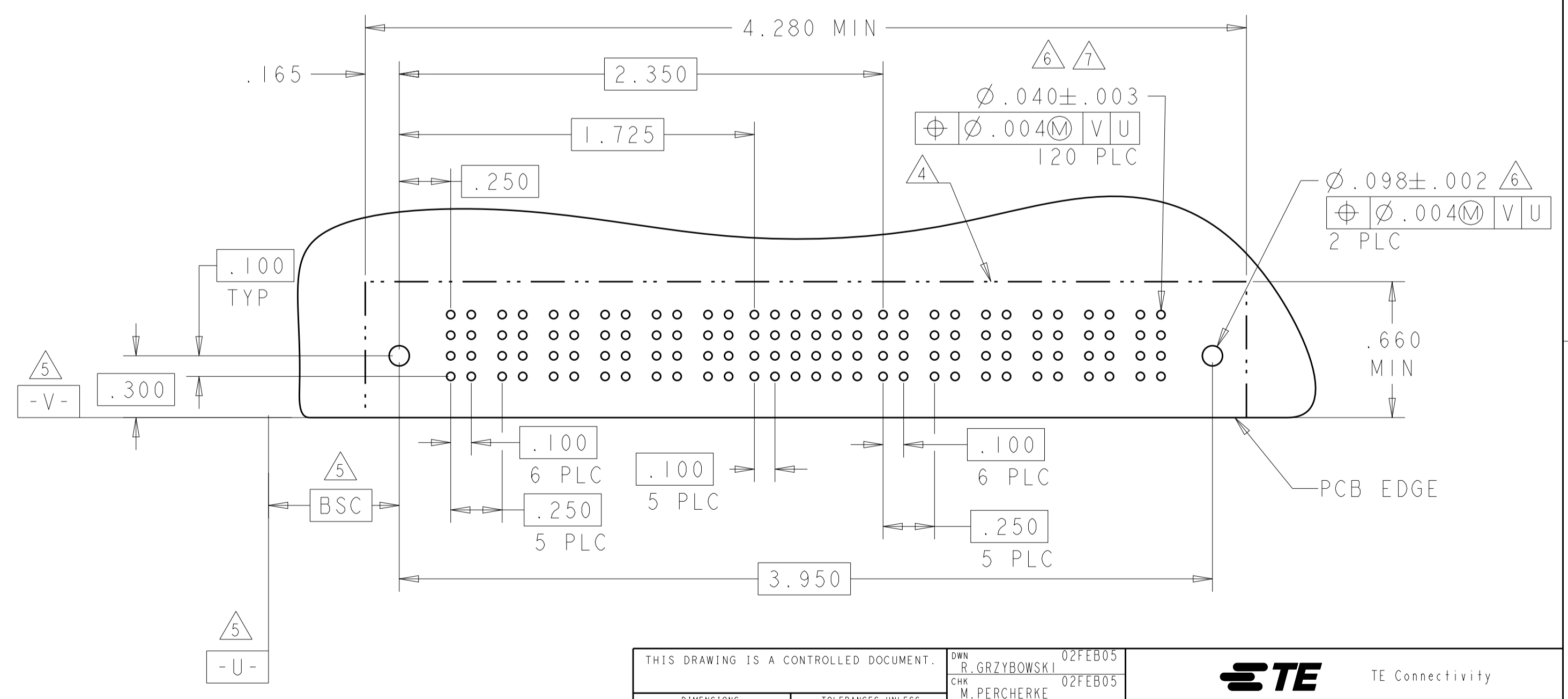
PART NUMBER	ROWS	AC POWER				SIGNAL						POWER																		
		P1	P2	P3	P4	1	2	3	4	5	6	P5	P6	P7	P8	P9	P10	P11	P12	P13	P14	P15	P16							
2-6450120-6	D C B A	PM	PM	PM	PM	J	J	J	J	J	J	J	J	J	J	PM	PM	PM	PM	PM	PM	PM	PM	PM	PM	PM				
						K	K	K	K	K	K	K	K	K	K												K	K	K	K
						N	N	N	N	N	N	N	N	N	N												N	N	N	N
4ACP + 24S + 12P		HD																					HD							



PART NUMBER	ROWS	POWER								SIGNAL			POWER		
		P1	P2	P3	P4	P5	P6	P7	P8	1	2	3	P9	P10	P11
3-6450120-3	D C B A	PM	PM	PM	PM	PM	PM	PM	PM	J	J	J	PM	PM	PM
										K	K	K			
										N	N	N			
8P + 12S + 3ACP		HD													HD



PART NUMBER	ROWS	POWER						SIGNAL						POWER									
		P1	P2	P3	P4	P5	P6	1	2	3	4	5	6	P7	P8	P9	P10	P11	P12				
2-6450120-7	D C B A	PM	PM	PM	PM	PM	PM	J	J	J	J	J	J	J	J	PM	PM	PM	PM	PM	PM		
								K	K	K	K	K	K	K	K								
								N	N	N	N	N	N	N	N								
6P + 24S + 6P		HD																					HD



THIS DRAWING IS A CONTROLLED DOCUMENT. DWG: R.GRZYBOWSKI 02FEB05
 CHK: M.PERCHERKE 02FEB05
 APVD: M.PERCHERKE 02FEB05

TE Connectivity

RIGHT ANGLE HEADER W/GUIDES ASSEMBLY MULTI-BEAM XL

SIZE: CAGE CODE DRAWING NO: RESTRICTED TO: A100779C=6450120

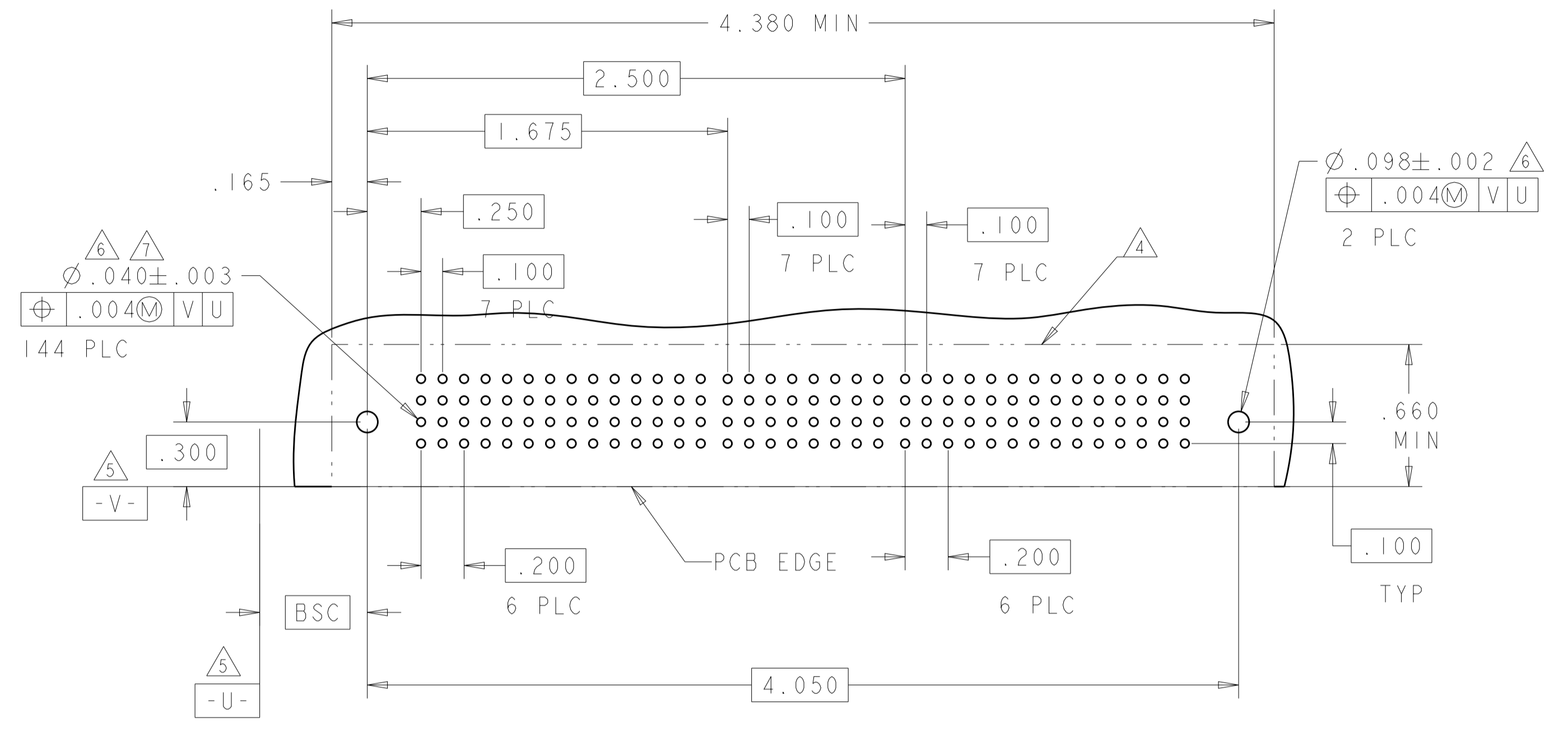
SCALE: 4:1 SHEET 8 OF 24 REV: M2

TOLERANCES UNLESS OTHERWISE SPECIFIED:
 DIMENSIONS: INCHES
 0 PLC ±.01
 1 PLC ±.01
 2 PLC ±.01
 3 PLC ±.01
 4 PLC ±.005
 5 PLC ±.005
 ANGLES ±.0020

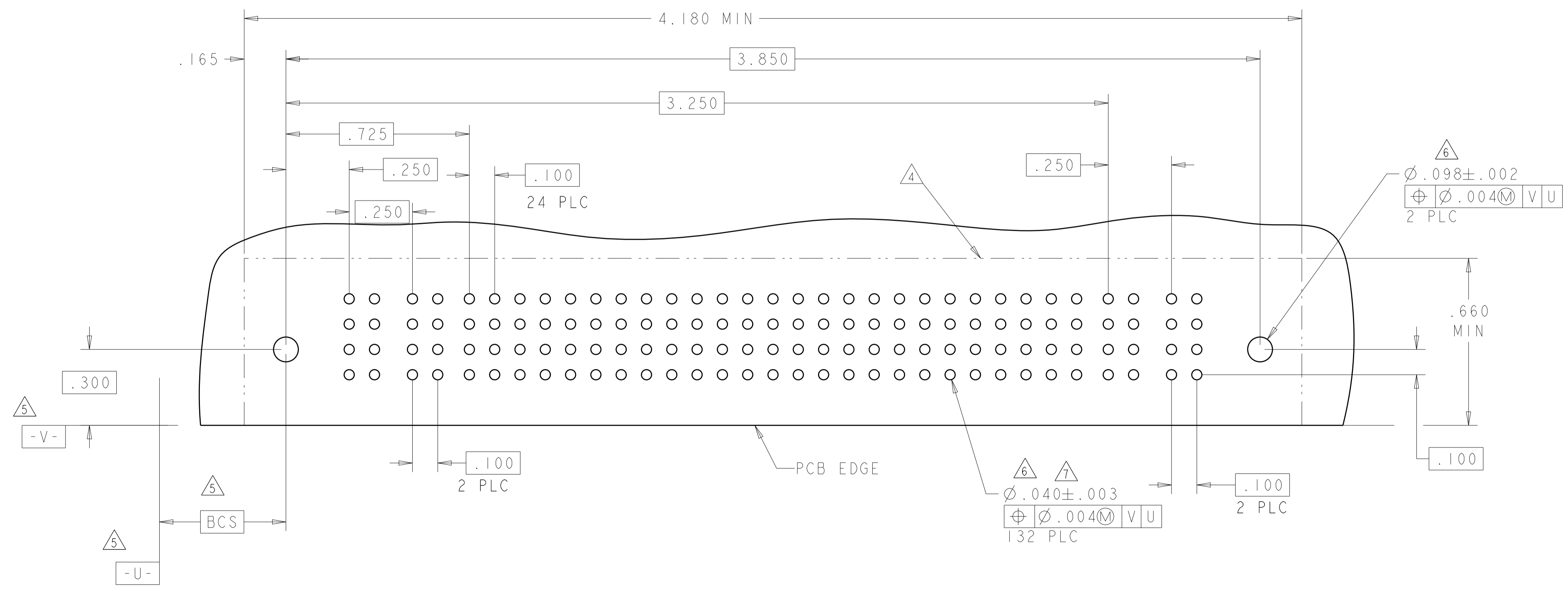
MATERIAL: FINISH:

LOC	DIST	REVISIONS			
P	LTN	DESCRIPTION	DATE	DMN	APVD
ES	00	SEE SHEET 1			

PART NUMBER	ROWS	POWER						SIGNAL								POWER						
		P1	P2	P3	P4	P5	P6	P7	1	2	3	4	5	6	7	8	P8	P9	P10	P11	P12	P13
3-6450120-0	D	PM	PM	PM	PM	PM	PM	J	J	J	J	J	J	J	J	PM	PM	PM	PM	PM	PM	
	C							K	K	K	K	K	K	K	K							K
	B							N	N	N	N	N	N	N	N							N
A	A	S	S	S	S	S	S	S	S	S	S	S	S	S	HD							
7HDP + 32S + 7HDP																						



PART NUMBER	ROWS	POWER		SIGNAL																						POWER					
		P1	P2	1	2	3	4	5	6	7	8	9	10	11	12	13	14	15	16	17	18	19	20	21	22	23	24	25	P3	P4	
3-6450120-6	D	PM	PM	J	J	J	J	J	J	J	J	J	J	J	J	J	J	J	J	J	J	J	J	J	J	J	J	J	J	PM	PM
	C			K	K	K	K	K	K	K	K	K	K	K	K	K	K	K	K	K	K	K	K	K	K	K	K	K	K		
	B			N	N	N	N	N	N	N	N	N	N	N	N	N	N	N	N	N	N	N	N	N	N	N	N	N	N		
A	A	S	S	S	S	S	S	S	S	S	S	S	S	S	S	S	S	S	S	S	S	S	S	S	S	S	S	S	HD		
2P + 100S + 2P																															



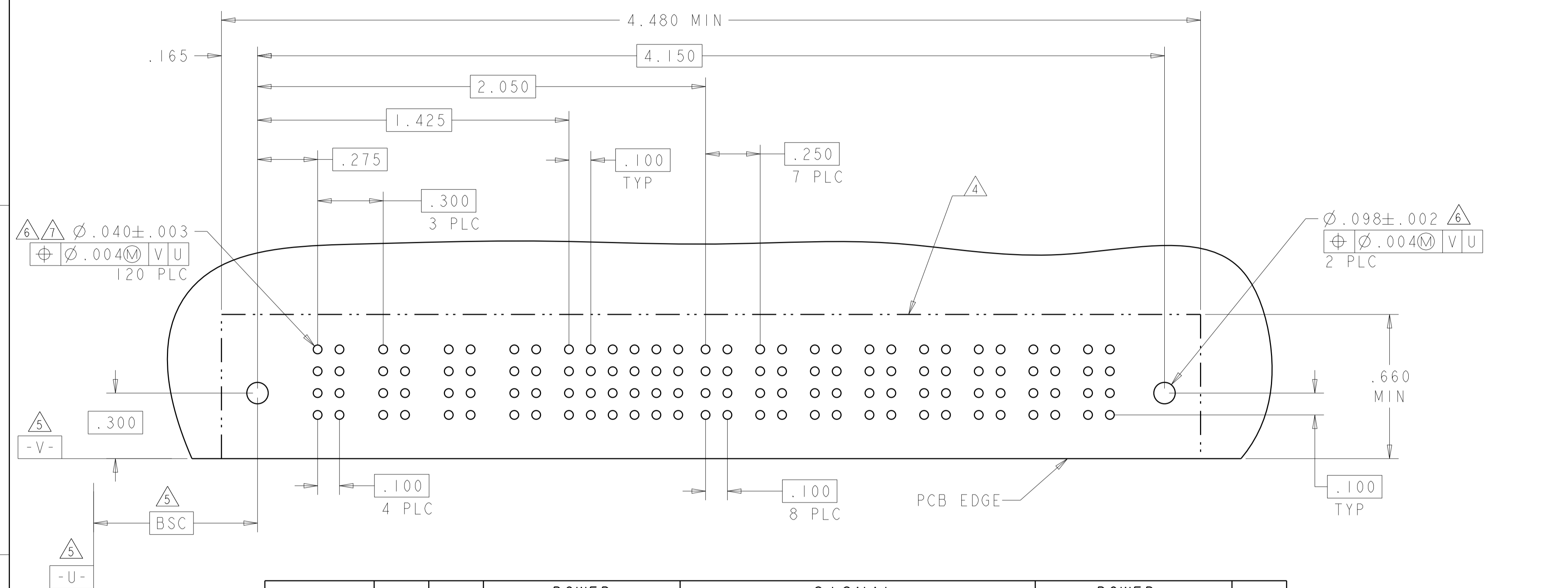
THIS DRAWING IS A CONTROLLED DOCUMENT.

DIMENSIONS: INCHES	TOLERANCES UNLESS OTHERWISE SPECIFIED:	DMN: R. GRZYBOWSKI 02FEB05	CHK: M. PERCHERKE 02FEB05	APVD: M. PERCHERKE 02FEB05	NAME: RIGHT ANGLE HEADER W/GUIDES ASSEMBLY MULTI-BEAM XL
0 PLC ±	1 PLC ±.01	PRODUCT SPEC: 108-1973	APPLICATION SPEC: 114-13038	WEIGHT: -	RESTRICTED TO: -
3 PLC ±.005	4 PLC ±.0020	FINISH: -	SCALE: 4:1	SHEET: 9 of 24	REV: M2
MATERIAL: -	FINISH: -	CUSTOMER DRAWING	SCALE: 4:1	SHEET: 9 of 24	REV: M2

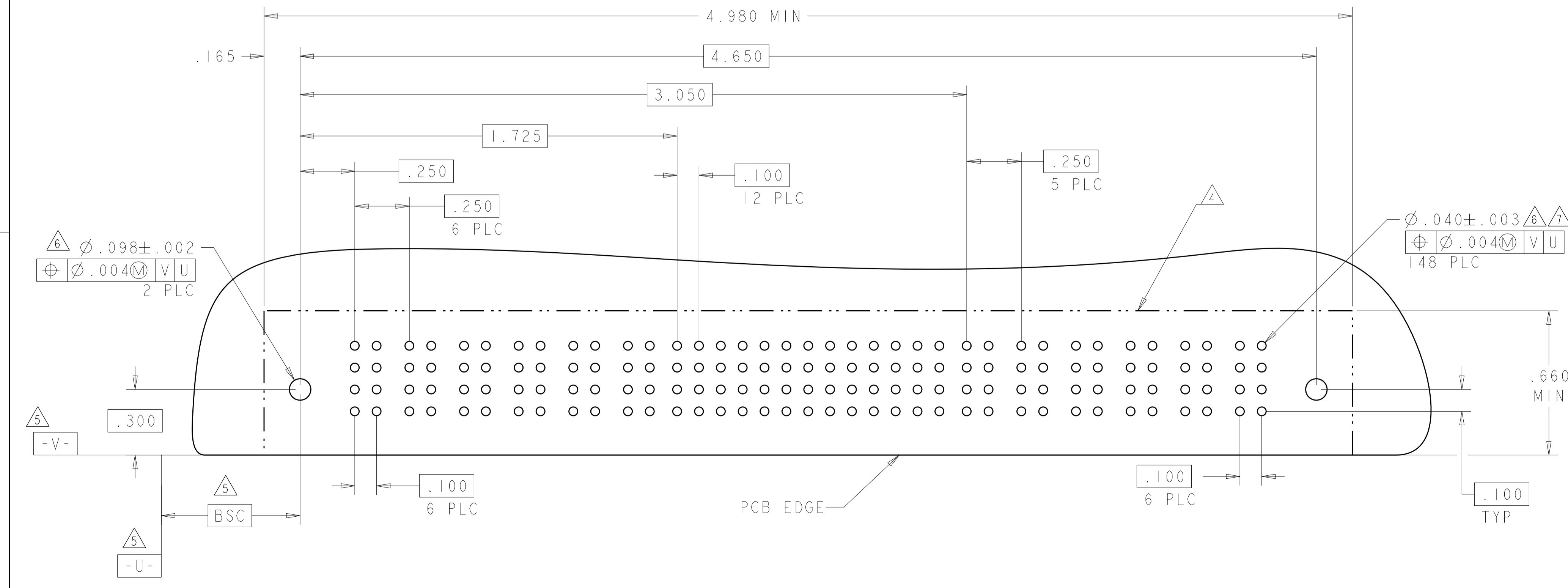
STC TE Connectivity

LOC	DIST	REVISIONS			
P	LTH	DESCRIPTION	DATE	DMN	APVD
ES	00	SEE SHEET 1			

PART NUMBER	ROWS	POWER				SIGNAL						POWER										
		P1	P2	P3	P4	1	2	3	4	5	6	P5	P6	P7	P8	P9	P10	P11	P12			
4-6450120-0	D C B A	PM	PM	PM	PM	J	J	J	J	J	J	PM	PM	PM	PM	PM	PM	PM	PM	PM	PM	PM
						K	K	K	K	K	K											
						N	N	N	N	N	N											
						S	S	S	S	S	S											
4ACP + 24S + 8P																						



PART NUMBER	ROWS	POWER						SIGNAL													POWER							
		P1	P2	P3	P4	P5	P6	1	2	3	4	5	6	7	8	9	10	11	12	13	P7	P8	P9	P10	P11	P12		
3-6450120-5	D C B A	PM	PM	PM	PM	PM	J	J	J	J	J	J	PM	PM	PM	PM	PM	PM	PM	PM	PM	PM	PM	PM	PM	PM	PM	PM
							K	K	K	K	K	K																
							N	N	N	N	N	N																
							S	S	S	S	S	S																
6P + 52S + 6P																												



THIS DRAWING IS A CONTROLLED DOCUMENT. DMN: R.GRZYBOWSKI 02FEB05
 CHK: M.PERCHEK 02FEB05
 APVD: M.PERCHEK 02FEB05

STE TE Connectivity

NAME: RIGHT ANGLE HEADER W/GUIDES ASSEMBLY MULTI-BEAM XL

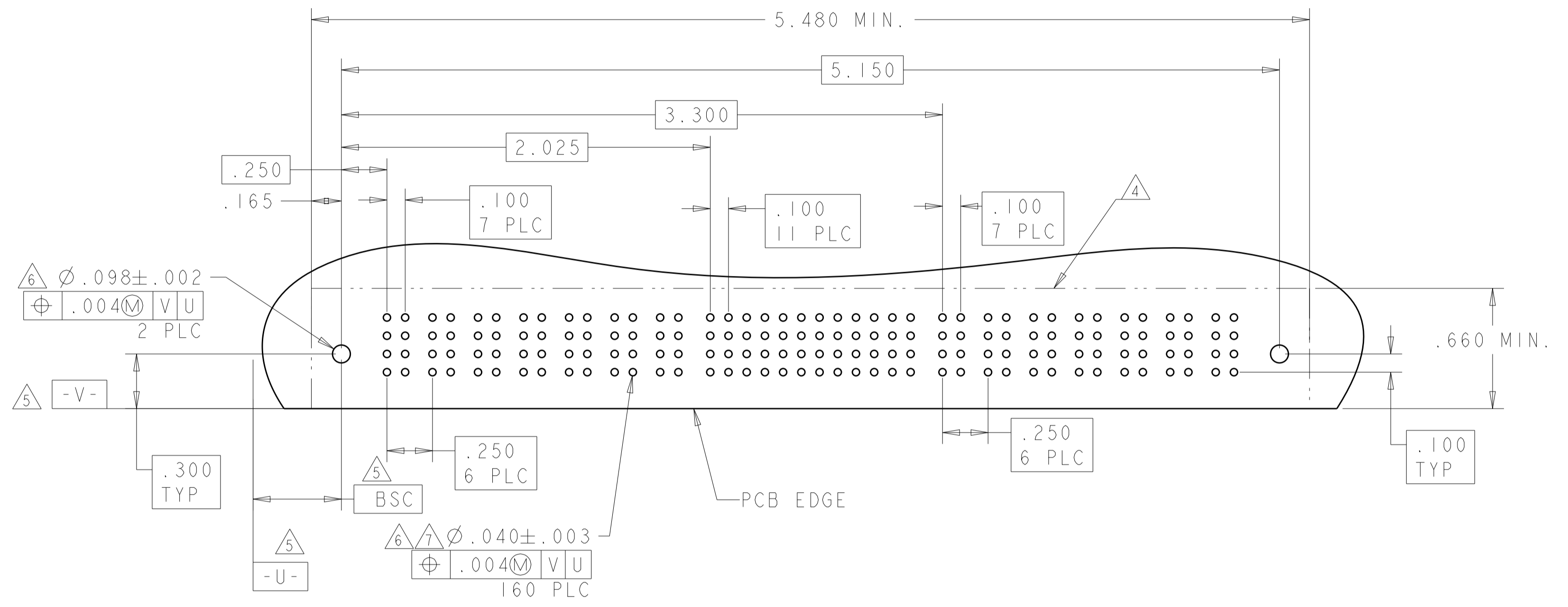
PRODUCT SPEC: 108-1973
 APPLICATION SPEC: 114-13038
 WEIGHT: -
 CUSTOMER DRAWING

DIMENSIONS: INCHES
 TOLERANCES UNLESS OTHERWISE SPECIFIED:
 0 PLC ±.
 1 PLC ±.01
 2 PLC ±.01
 3 PLC ±.005
 4 PLC ±.002
 ANGLES ±.2°

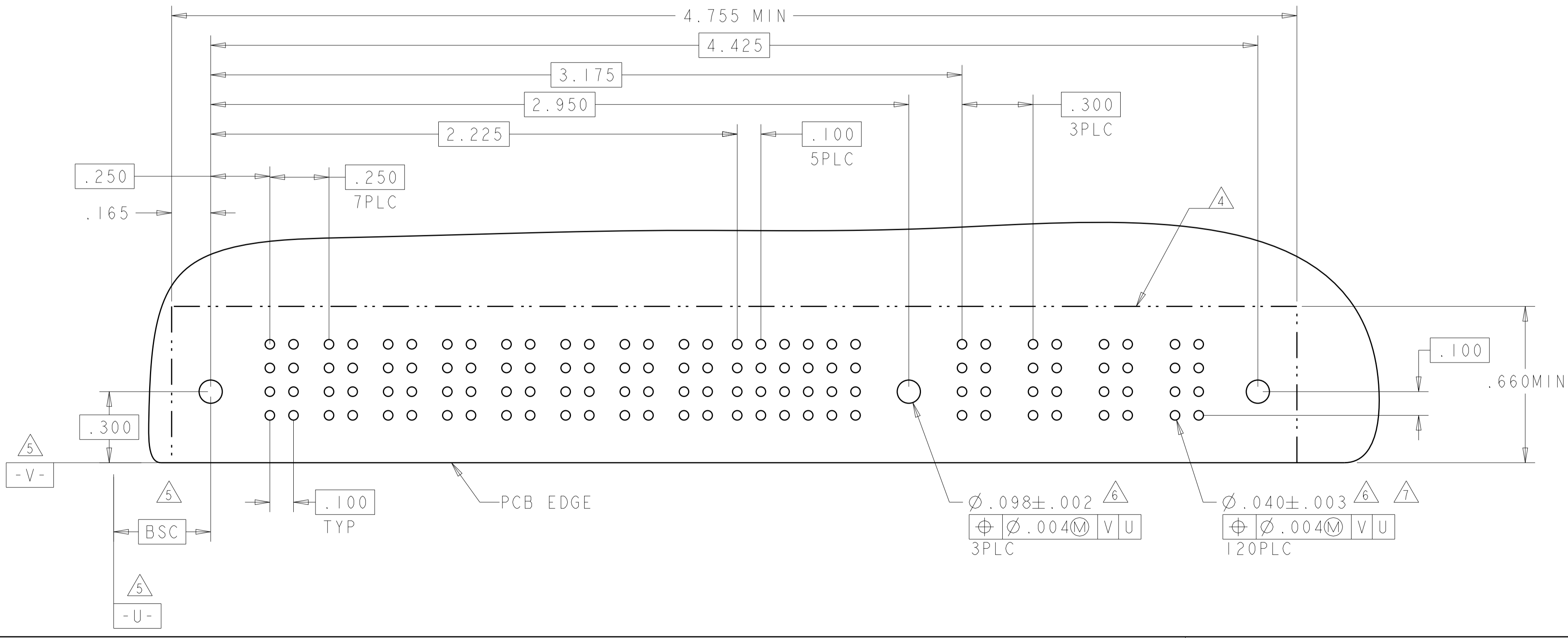
SCALE: 4:1 SHEET 10 OF 24 REV: M2

LOC		DIST		REVISIONS			
ES	00	P	LYN	DESCRIPTION	DATE	DWN	APVD
-	-	-	-	SEE SHEET 1	-	-	-

PART NUMBER	ROWS	POWER						SIGNAL												POWER																							
		P1	P2	P3	P4	P5	P6	P7	1	2	3	4	5	6	7	8	9	10	11	12	P8	P9	P10	P11	P12	P13	P14																
3-6450120-4	DCBA	PM	PM	PM	PM	PM	PM	J	J	J	J	J	J	J	J	J	J	J	J	J	J	J	J	J	J	J	J	J	PM	PM	PM	PM	PM	PM									
								K	K	K	K	K	K	K	K	K	K	K	K	K	K	K	K	K	K	K	K	K							K	K	K	K	K	K	K		
								N	N	N	N	N	N	N	N	N	N	N	N	N	N	N	N	N	N	N	N	N							N	N	N	N	N	N	N	N	N
								S	S	S	S	S	S	S	S	S	S	S	S	S	S	S	S	S	S	S	S	S							S	S	S	S	S	S	S	S	S
7P + 48S + 7P		HD		HD		HD		HD		HD		HD		HD		HD		HD		HD		HD		HD		HD		HD															



PART NUMBER	ROWS	POWER								SIGNAL						POWER																													
		P1	P2	P3	P4	P5	P6	P7	P8	1	2	3	4	5	6	P9	P10	P11	P12																										
4-6450120-2	DCBA	PM	PM	PM	PM	PM	PM	PM	PM	J	J	J	J	J	J	J	J	J	J	J	J	J	J	J	J	J	J	J	J	J	J	J	J	J	PM	PM	PM	PM							
										K	K	K	K	K	K	K	K	K	K	K	K	K	K	K	K	K	K	K	K	K	K	K	K	K					K	K	K	K	K	K	
										N	N	N	N	N	N	N	N	N	N	N	N	N	N	N	N	N	N	N	N	N	N	N	N	N					N	N	N	N	N	N	N
										S	S	S	S	S	S	S	S	S	S	S	S	S	S	S	S	S	S	S	S	S	S	S	S	S					S	S	S	S	S	S	S
8P + 24S + 1M + 4ACP		HD		HD		HD		HD		HD		HD		HD		HD		HD		HD		HD		HD		HD		HD		HD		HD													



THIS DRAWING IS A CONTROLLED DOCUMENT. DWN: R.GRZYBOWSKI 02FEB05
 CHK: M.PERCHEK 02FEB05
 APVD: M.PERCHEK 02FEB05

STC TE Connectivity

NAME: RIGHT ANGLE HEADER W/GUIDES ASSEMBLY MULTI-BEAM XL

PRODUCT SPEC: 108-1973
 APPLICATION SPEC: 114-13038

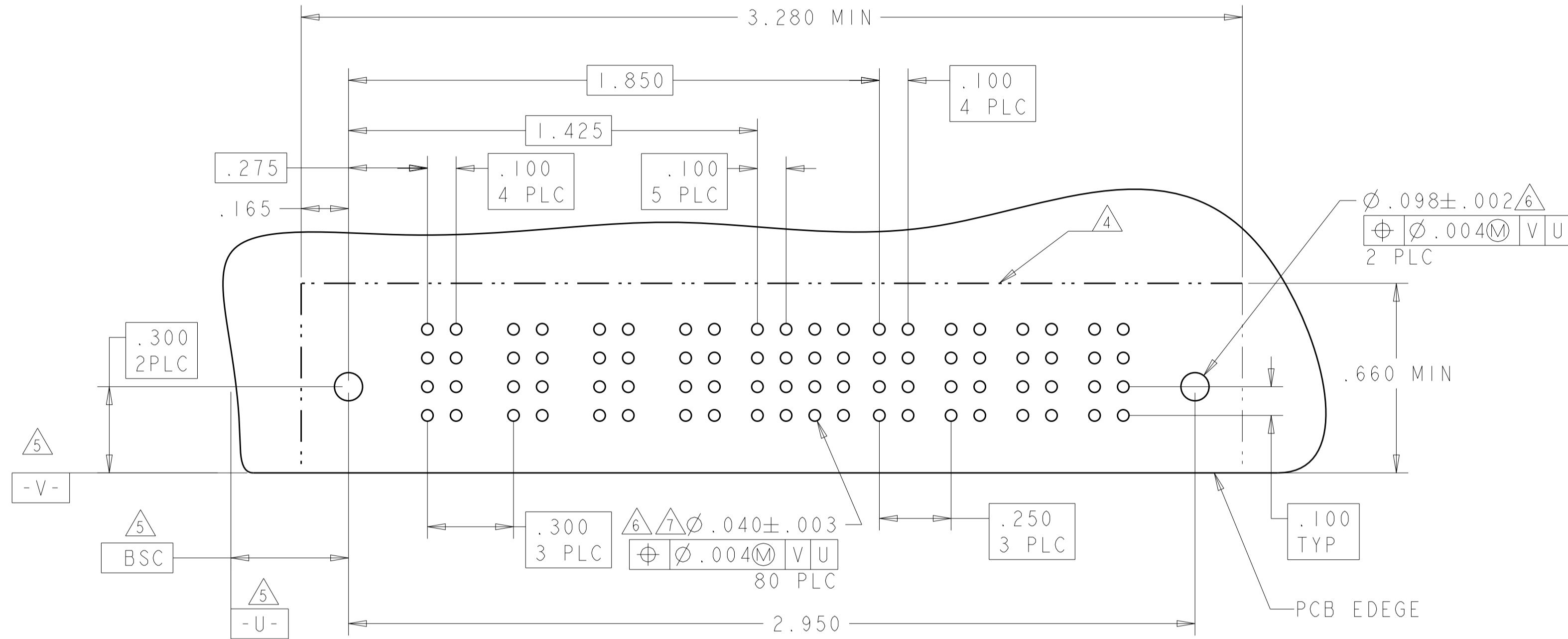
SIZE: A1 CAGE CODE: 6450120 DRAWING NO: 100779

RESTRICTED TO: M2

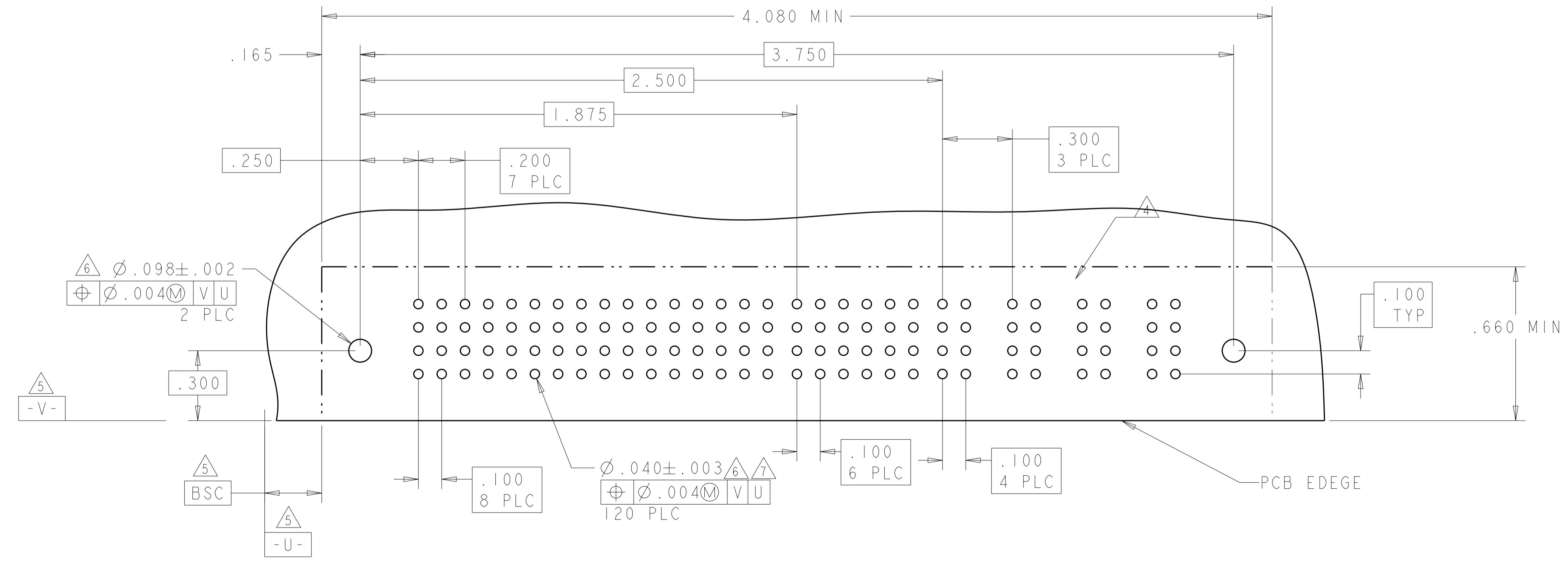
CUSTOMER DRAWING SCALE: 4:1 SHEET 11 OF 24 REV: M2

LOC	DIST	REVISIONS			
P	LTN	DESCRIPTION	DATE	DWN	APVD
-	-	SEE SHEET 1	-	-	-

PART NUMBER	ROWS	POWER				SIGNAL				POWER			
		P1	P2	P3	P4	1	2	3	4	P5	P6	P7	P8
4-6450120-3	D C B A	PM	PM	PM	PM	J	J	J	J	PM	PM	PM	PM
						K	K	K	K				
						N	N	N	N				
						S	S	S	S				
4ACP + 16S + 4P													



PART NUMBER	ROWS	POWER								SIGNAL						POWER			
		P1	P2	P3	P4	P5	P6	P7	P8	1	2	3	4	5	6	P9	P10	P11	P12
4-6450120-4	D C B A	PM	PM	PM	PM	PM	PM	PM	PM	J	J	J	J	J	J	PM	PM	PM	PM
										K	K	K	K	K	K				
										N	N	N	N	N	N				
										S	S	S	S	S	S				
8P + 24S + 4ACP																			



THIS DRAWING IS A CONTROLLED DOCUMENT. DWN: R. GRZYBOWSKI 02FEB05
 CHK: M. PERCHERKE 02FEB05
 APVD: M. PERCHERKE 02FEB05

STE TE Connectivity

NAME: RIGHT ANGLE HEADER W/GUIDES ASSEMBLY MULTI-BEAM XL

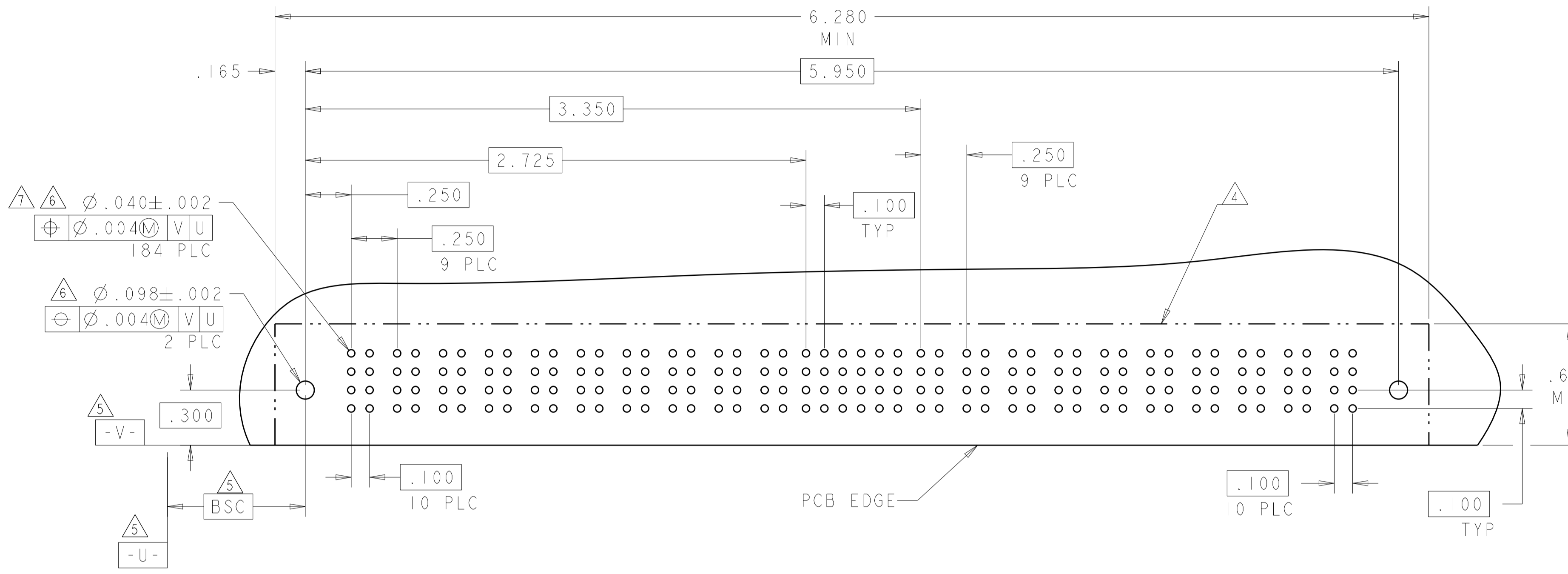
PRODUCT SPEC: 108-1973
 APPLICATION SPEC: 114-13038

SIZE: A1 CAGE CODE: 6450120 DRAWING NO: 100779
 RESTRICTED TO: M2

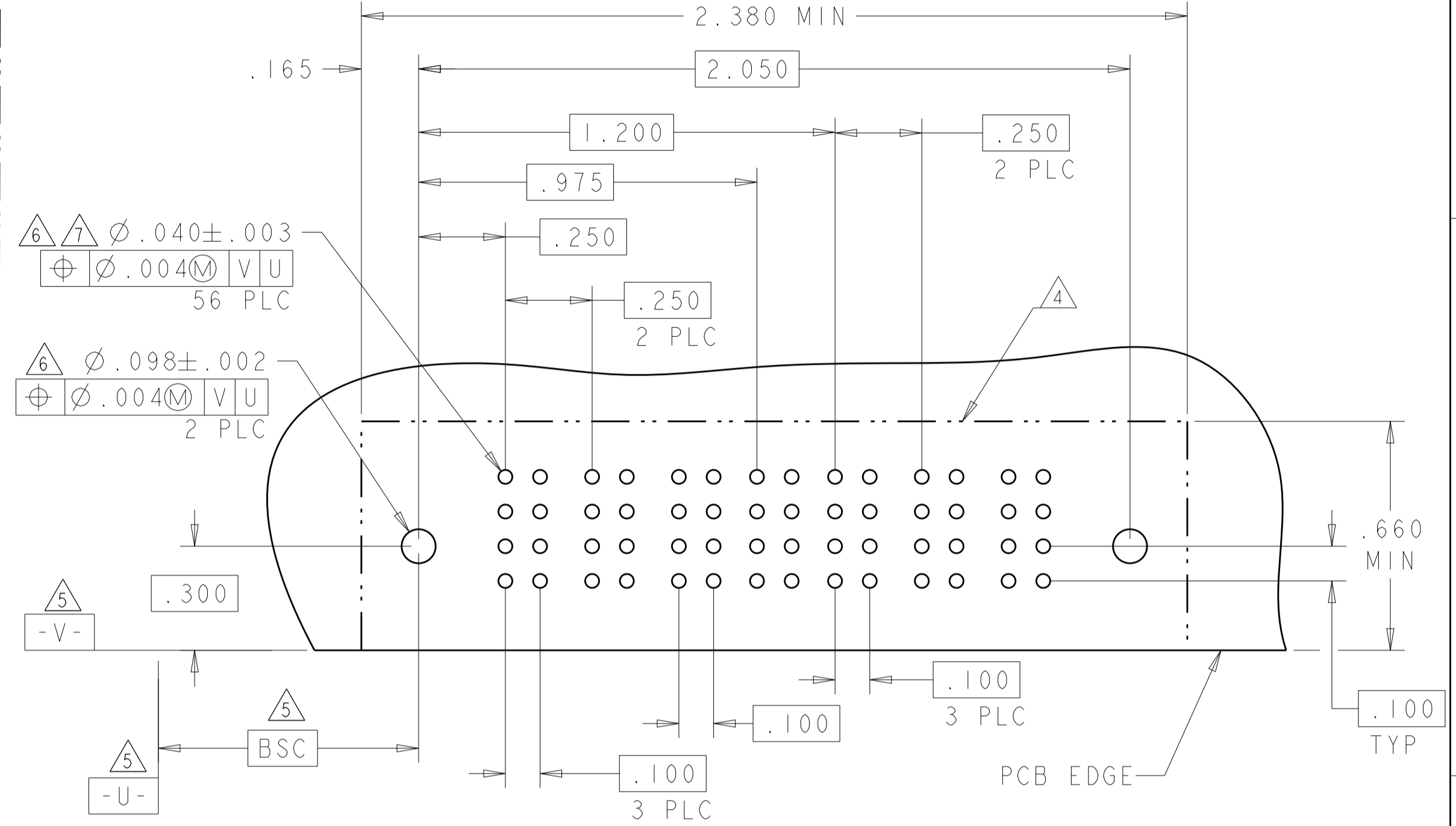
MATERIAL: - FINISH: - WEIGHT: -
 CUSTOMER DRAWING SCALE: 4:1 SHEET 12 OF 24 REV: M2

LOC	DIST	REVISIONS					
ES	00	P	LTN	DESCRIPTION	DATE	OWN	APVD
				SEE SHEET 1			

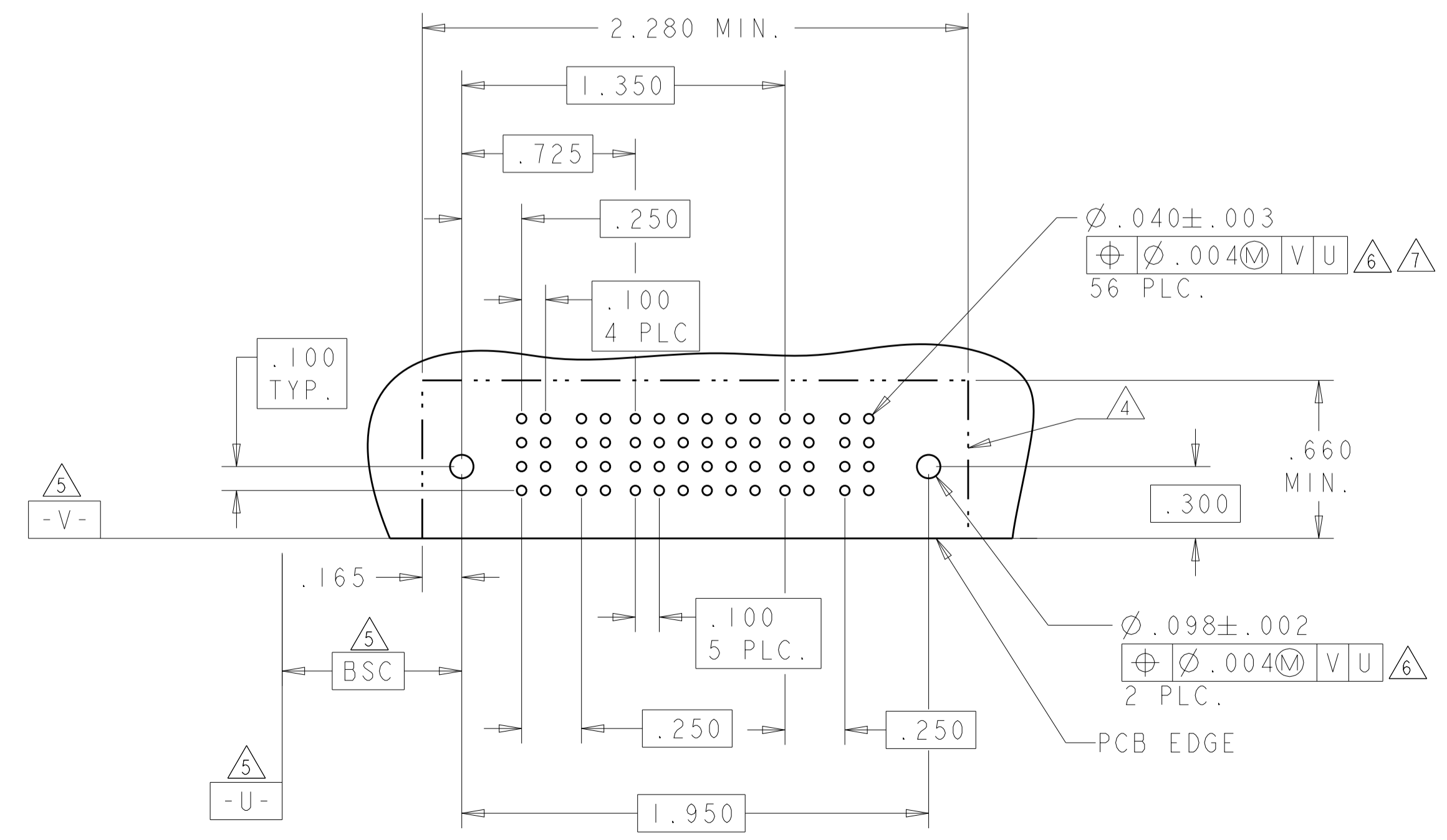
PART NUMBER	ROWS	POWER									SIGNAL						POWER								
		P1	P2	P3	P4	P5	P6	P7	P8	P9	P10	1	2	3	4	5	6	P11	P12	P13	P14	P15	P16	P17	P18
4-6450120-5	D C B A	[Diagram showing pin locations and labels J, K, N, S]																							
		[Diagram showing pin locations and labels J, K, N, S]																							
		[Diagram showing pin locations and labels J, K, N, S]																							
10P + 24S + 10P																									



PART NUMBER	ROWS	POWER			SIGNAL		POWER			
		P1	P2	P3	1	2	P4	P5	P6	
4-6450120-6	D C B A	[Diagram showing pin locations and labels J, K, N, S]								
		[Diagram showing pin locations and labels J, K, N, S]								
		[Diagram showing pin locations and labels J, K, N, S]								
3P + 8S + 3P										



PART NUMBER	ROWS	POWER		SIGNAL						POWER	
		P1	P2	1	2	3	4	5	6	P3	P4
4-6450120-7	D C B A	[Diagram showing pin locations and labels J, K, N, S]									
		[Diagram showing pin locations and labels J, K, N, S]									
		[Diagram showing pin locations and labels J, K, N, S]									
2P + 24S + 2P											



THIS DRAWING IS A CONTROLLED DOCUMENT. OWN: R. GRZYBOWSKI 02FEB05
 CHK: M. PERCHERKE 02FEB05
 APVD: M. PERCHERKE 02FEB05

STE TE Connectivity

NAME: RIGHT ANGLE HEADER W/GUIDES ASSEMBLY MULTI-BEAM XL

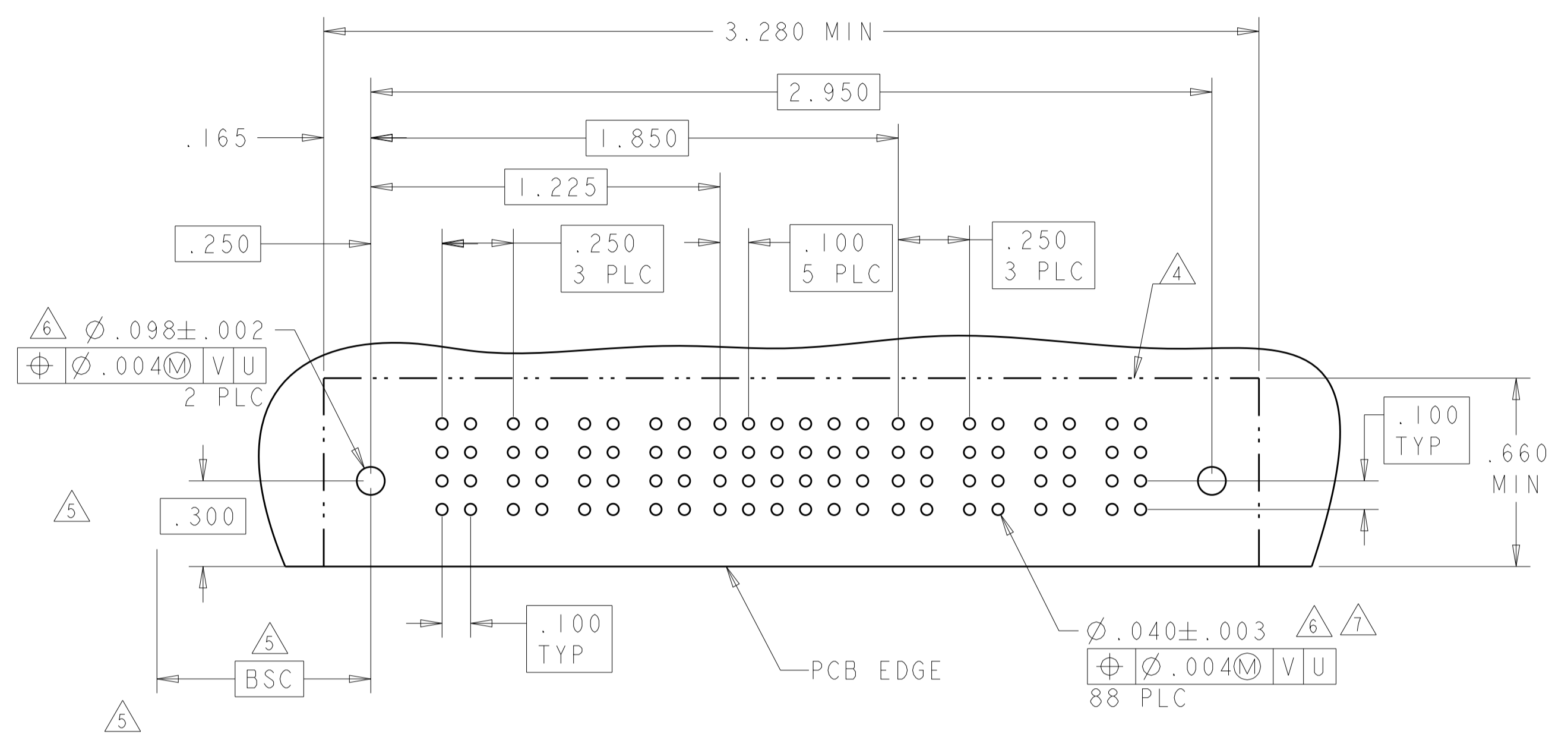
PRODUCT SPEC: 108-1973
 APPLICATION SPEC: 114-13038

SIZE: A1 CAGE CODE: 6450120 DRAWING NO: 100779
 WEIGHT: 13 OF 24 SHEET

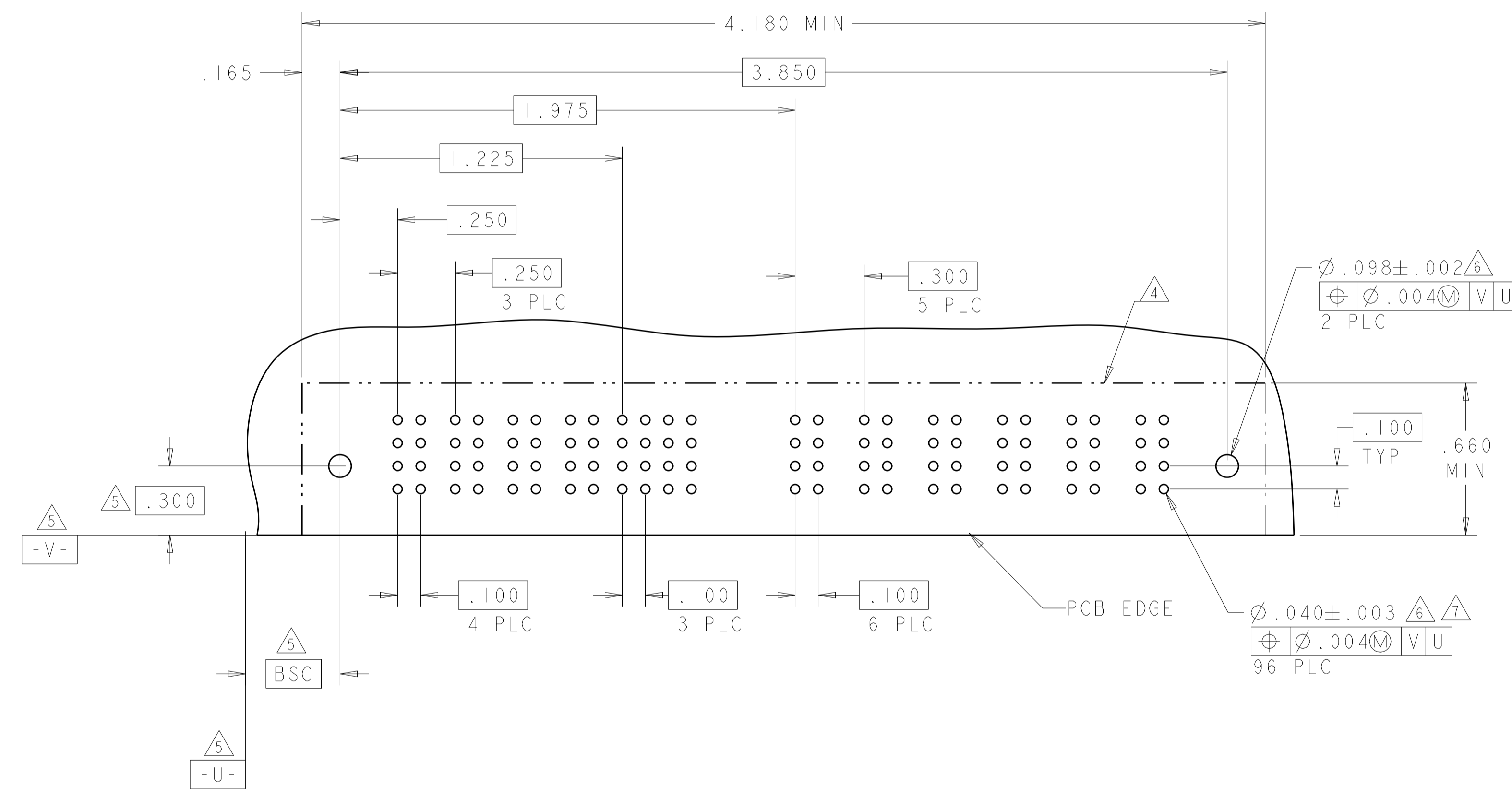
SCALE: 4:1 SHEET 13 OF 24 REV: M2

LOC	DIST	REVISIONS			
P	LTN	DESCRIPTION	DATE	DMN	APVD
ES	00	SEE SHEET 1	-	-	-

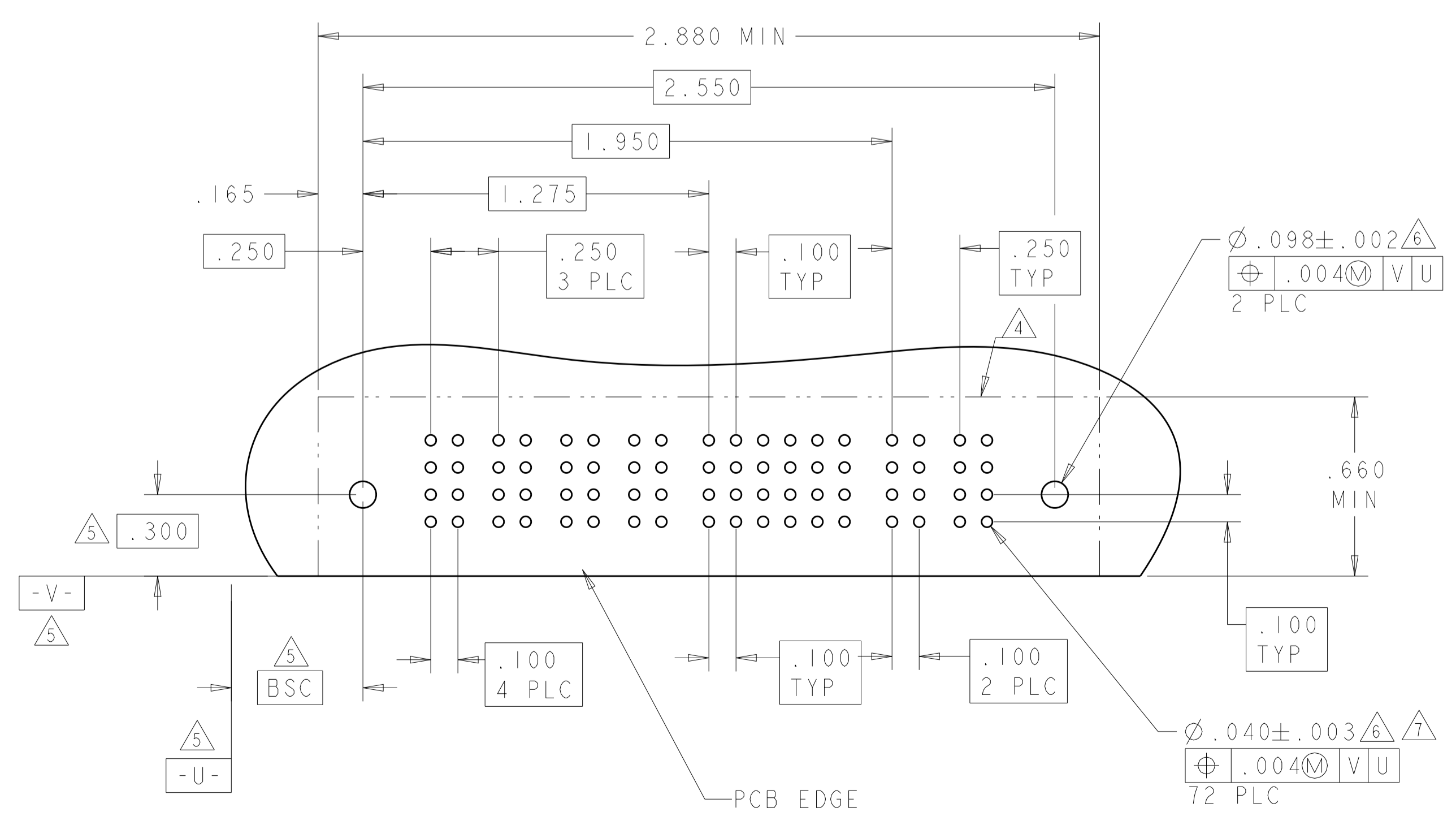
PART NUMBER	ROWS	POWER				SIGNAL						POWER			
		P1	P2	P3	P4	1	2	3	4	5	6	P5	P6	P7	P8
4-6450120-8	D	PM	PM	PM	PM	J	J	J	J	J	J	PM	PM	PM	PM
	C					K	K	K	K	K					
	B					N	N	N	N	N					
	A					S	S	S	S	S					
4P + 24S + 4P															



PART NUMBER	ROWS	POWER				SIGNAL				POWER						
		P1	P2	P3	P4	1	2	3	4	P5	P6	P7	P8	P9	P10	P11
5-6450120-0	D	PM	PM	PM	PM	J	J	J	J	PM	PM	PM	PM	PM	PM	
	C					K	K	K	K							
	B					N	N	N	N							
	A					S	S	S	S							
4P + 16S + 7ACP																



PART NUMBER	ROWS	POWER				SIGNAL						POWER	
		P1	P2	P3	P4	1	2	3	4	5	6	P5	P6
2-6450120-5	D	PM	PM	PM	PM	J	J	J	J	J	J	PM	PM
	C					K	K	K	K	K			
	B					N	N	N	N	N			
	A					S	S	S	S	S			
4P + 24S + 2P													



THIS DRAWING IS A CONTROLLED DOCUMENT.

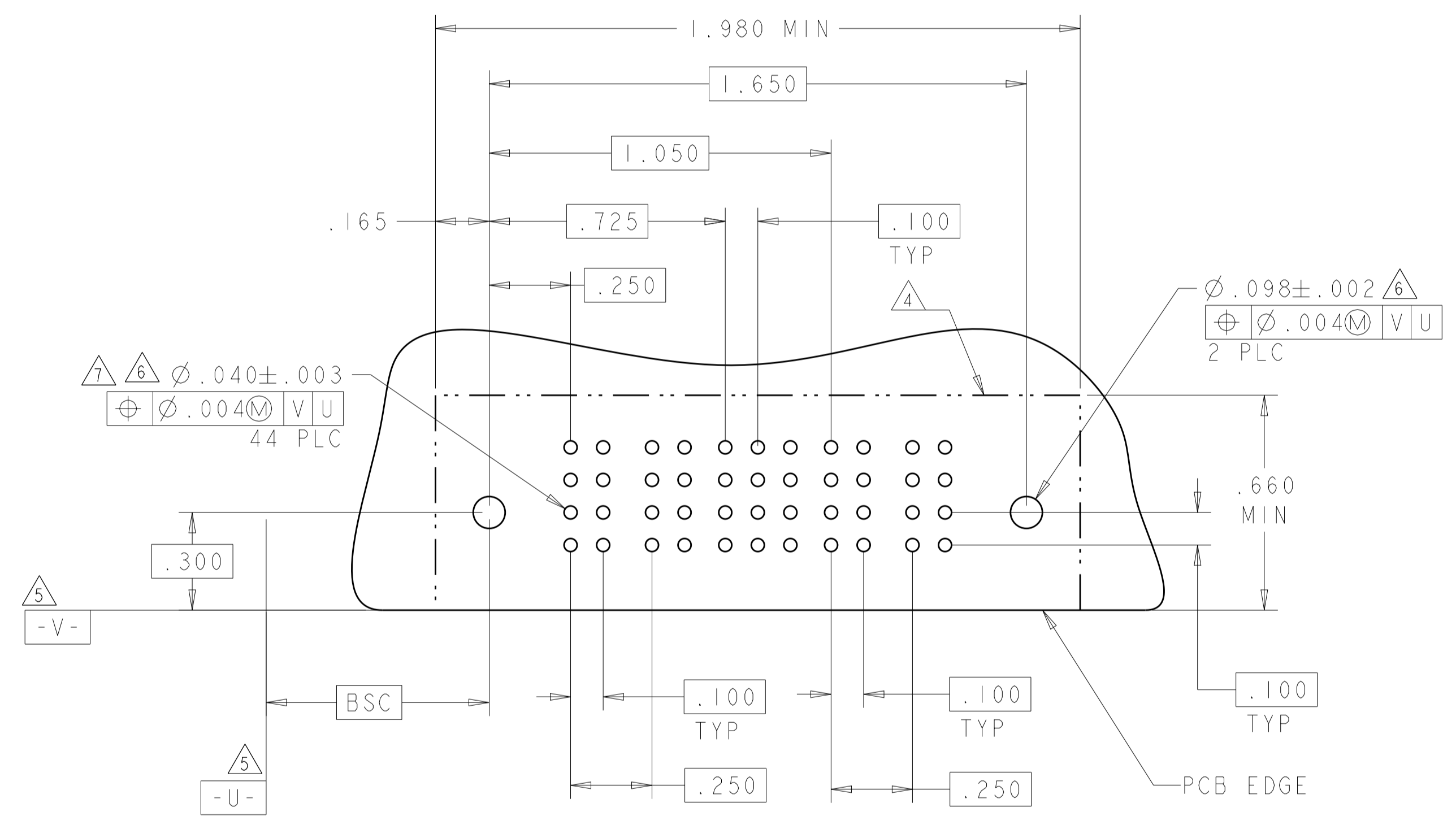
DIMENSIONS: INCHES	TOLERANCES UNLESS OTHERWISE SPECIFIED:	DMN: R. GRZYBOWSKI 02FEB05	CHK: M. PERCHERKE 02FEB05	APVD: M. PERCHERKE 02FEB05	NAME: RIGHT ANGLE HEADER W/GUIDES ASSEMBLY MULTI-BEAM XL
0 PLC ±.01 1 PLC ±.01 2 PLC ±.01 3 PLC ±.01 4 PLC ±.0020 ANGLES ±.020 FINISH		PRODUCT SPEC: 108-1973 APPLICATION SPEC: 114-13038 WEIGHT:		SIZE: A1 CAGE CODE: 100779 DRAWING NO: 6450120 SCALE: 4:1 SHEET: 14 OF 24 REV: M2	

MATERIAL: -

CUSTOMER DRAWING

LOC		DIST		REVISIONS			
ES	00	P	LTN	DESCRIPTION	DATE	DMN	APVD
		-		SEE SHEET 1			

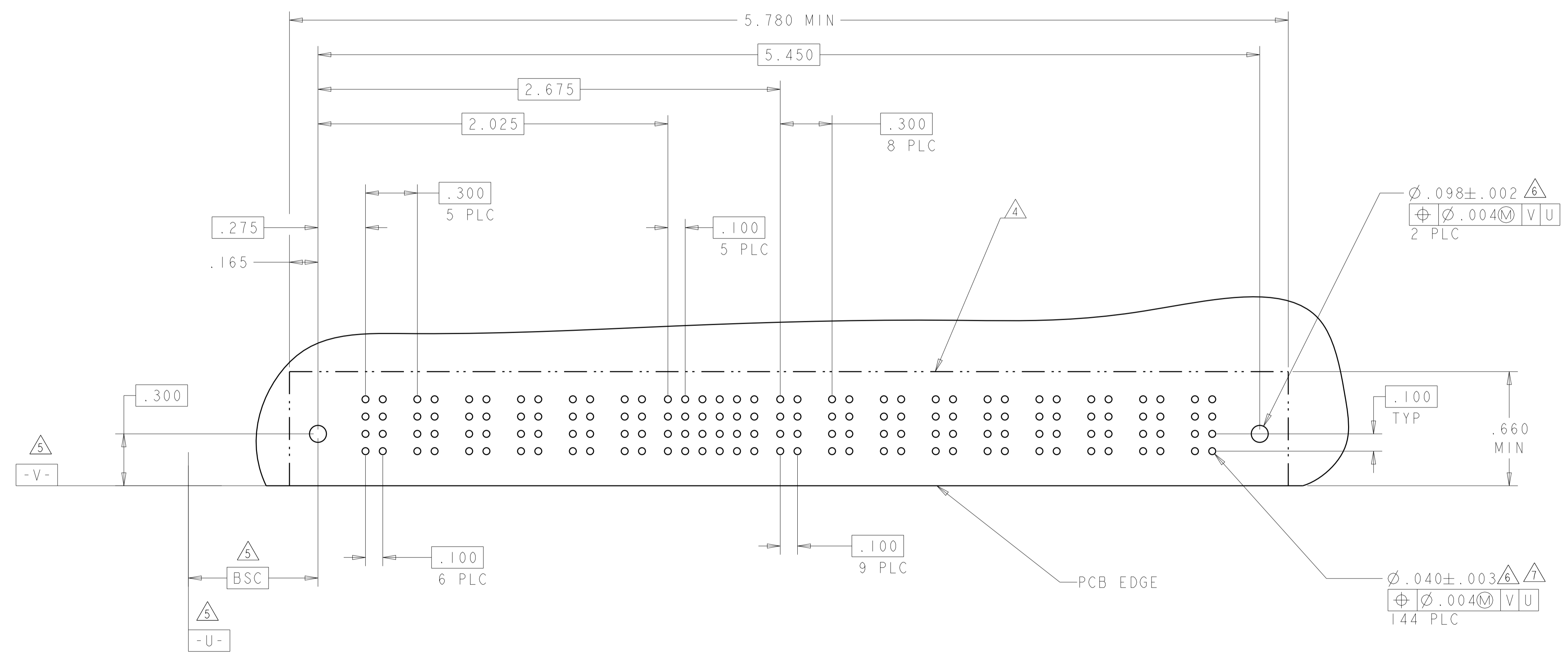
PART NUMBER	ROWS	POWER		SIGNAL			POWER	
		P1	P2	1	2	3	P3	P4
4-6450120-9	D			J	J	J		
	C			K	K	K		
	B			N	N	N		
	A			S	S	S		
2P + 12S + 2P								



THIS DRAWING IS A CONTROLLED DOCUMENT.		DMN R. GRZYBOWSKI 02FEB05	TE Connectivity	
DIMENSIONS: INCHES		CHK M. PERCHERKE 02FEB05		
TOLERANCES UNLESS OTHERWISE SPECIFIED:		APVD M. PERCHERKE 02FEB05	NAME RIGHT ANGLE HEADER W/GUIDES ASSEMBLY MULTI-BEAM XL	
0 PLC ±. 1 PLC ±. 2 PLC ±.01 3 PLC ±.005 4 PLC ±.0020 ANGLES ±.2°		PRODUCT SPEC 108-1973	SIZE A100779C=6450120	
MATERIAL		APPLICATION SPEC 114-13038	RESTRICTED TO	
FINISH		WEIGHT	SCALE 4:1 SHEET 15 OF 24 REV M2	
		CUSTOMER DRAWING		

LOC		DIST		REVISIONS			
P	LTN	DESCRIPTION	DATE	DMN	APVD		
-	-	SEE SHEET 1	-	-	-		

PART NUMBER	ROWS	POWER						SIGNAL						POWER										
		P1	P2	P3	P4	P5	P6	1	2	3	4	5	6	P7	P8	P9	P10	P11	P12	P13	P14	P15		
5-6450120-2	D C B A	[HD]	[]	[PM]	[PM]	[PM]	[]	[PM]	J	J	[]	J	E	[]	[]	[PM]	[PM]	[PM]	[]	[PM]	[PM]	[PM]	[]	[HD]
			[]	[]	[]	[]	[]	[]	K	K	[]	K	K	[]	[]	[]	[]	[]	[]	[]	[]	[]		
			[]	[]	[]	[]	[]	[]	N	N	[]	N	N	[]	[]	[]	[]	[]	[]	[]	[]	[]		
			[]	[]	[]	[]	[]	[]	S	S	[]	S	H	[]	[]	[]	[]	[]	[]	[]	[]	[]		
6P + 24S + 9P																								



THIS DRAWING IS A CONTROLLED DOCUMENT.

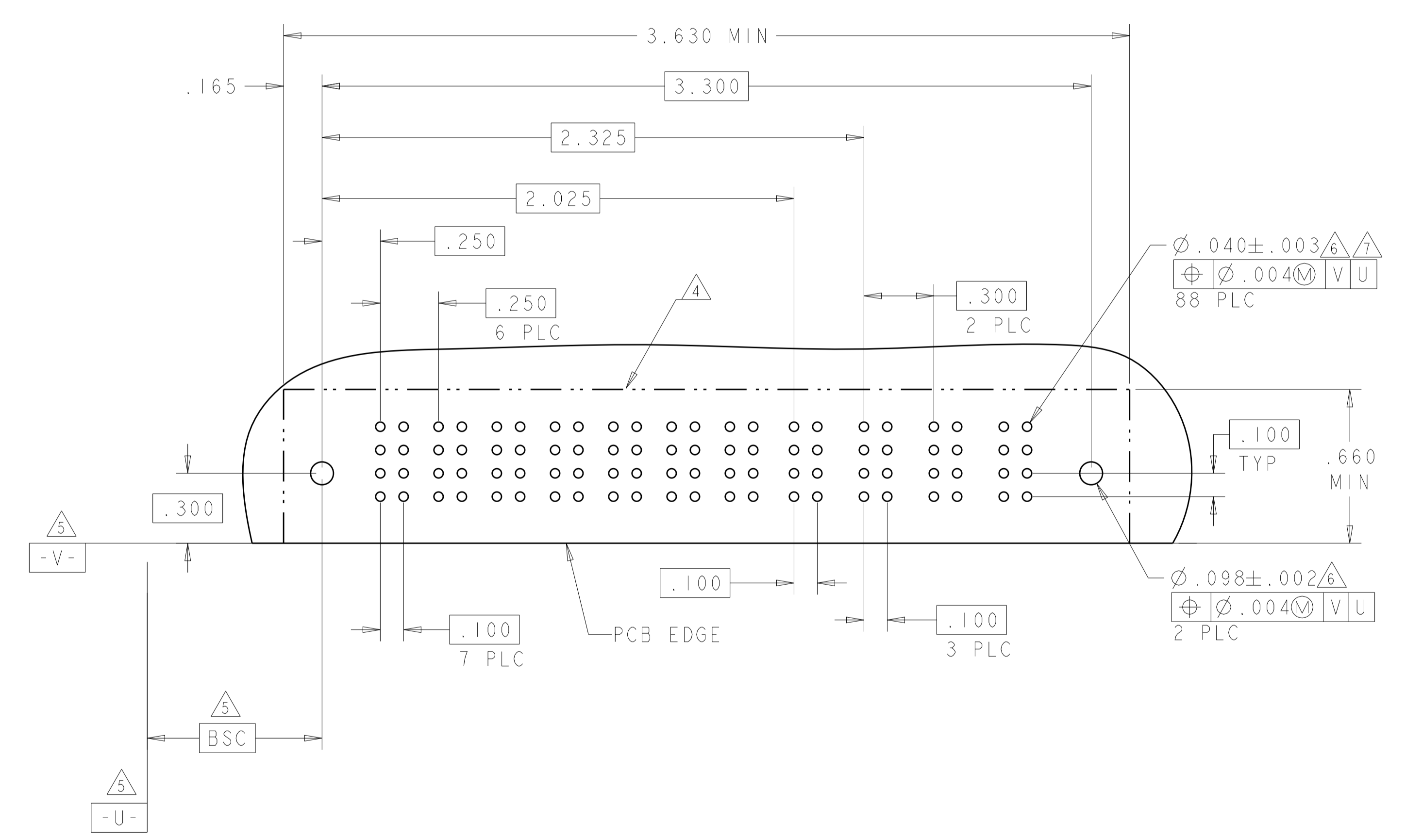
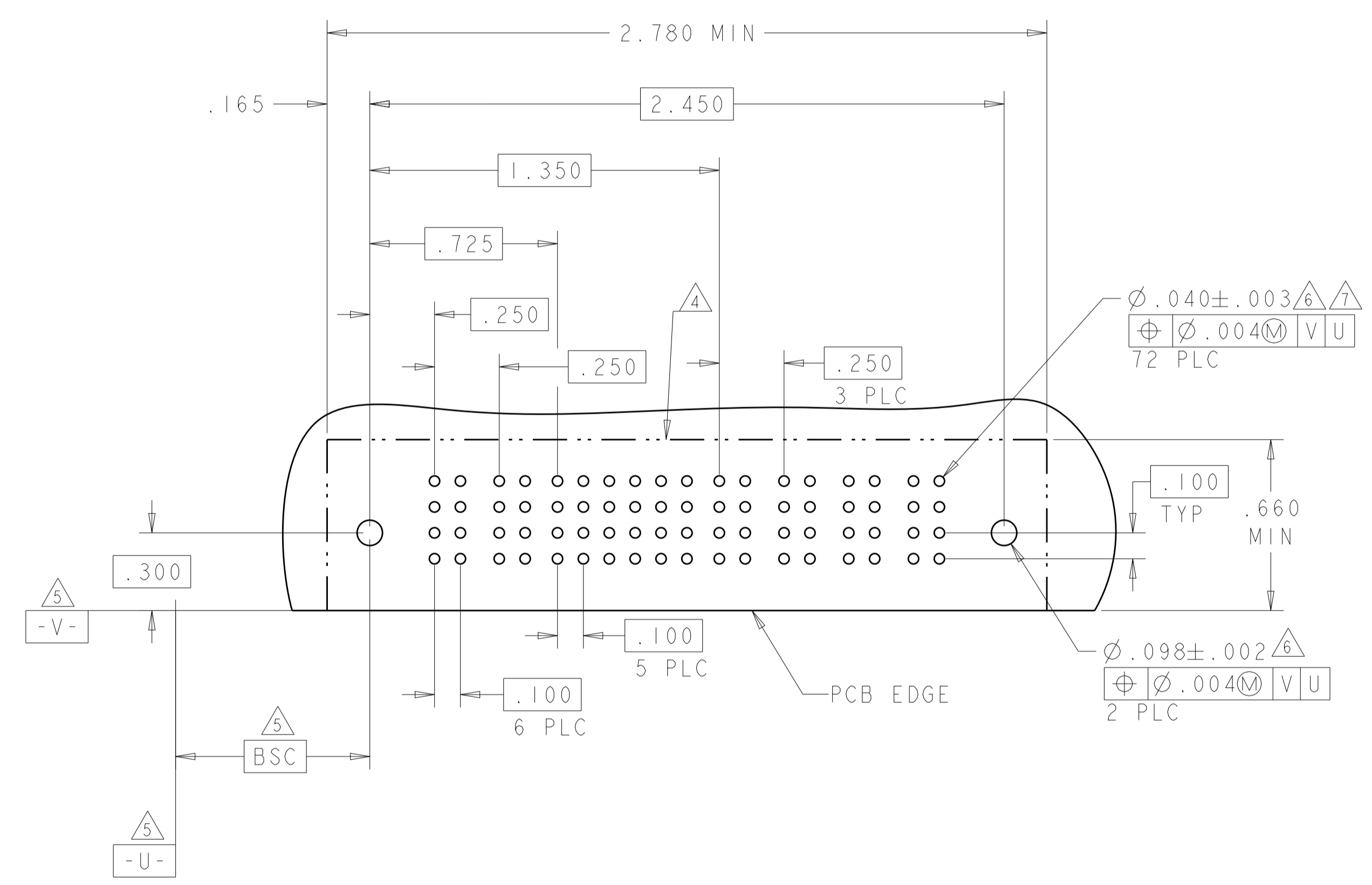
DIMENSIONS: INCHES	TOLERANCES UNLESS OTHERWISE SPECIFIED: 0 PLC ±. 1 PLC ±.01 2 PLC ±.01 3 PLC ±.005 4 PLC ±.0020 ANGLES ±.02°	DMN: R. GRZYBOWSKI 02FEB05 CHK: M. PERCHERKE 02FEB05 APVD: M. PERCHERKE 02FEB05	NAME: RIGHT ANGLE HEADER W/GUIDES ASSEMBLY MULTI-BEAM XL
MATERIAL: -	FINISH: -	PRODUCT SPEC: 108-1973 APPLICATION SPEC: 114-13038 WEIGHT: -	SIZE: A1 CAGE CODE: 00779 DRAWING NO: C=6450120
CUSTOMER DRAWING		SCALE: 4:1	SHEET 16 OF 24 REV: M2

4805 (3/11)

LOC	DIST	REVISIONS			
P	LTN	DESCRIPTION	DATE	DMN	APVD
-	-	SEE SHEET 1	-	-	-

PART NUMBER	ROWS	POWER		SIGNAL						POWER			
		P1	P2	1	2	3	4	5	6	P3	P4	P5	P6
5-6450120-3	D	PM	PM	J	J	J	J	J	J	PM	PM	PM	PM
	C			K	K	K	K	K	K				
	B			N	N	N	N	N	N				
	A			S	S	S	S	S	S				
2P + 24S + 4P													

PART NUMBER	ROWS	POWER							SIGNAL		POWER		
		P1	P2	P3	P4	P5	P6	P7	I	J	P8	P9	P10
5-6450120-5	D	PM	PM	PM	PM	PM	PM	PM	J	J	PM	PM	PM
	C								K	K			
	B								N	N			
	A								S	S			
7P + 8S + 3ACP													



THIS DRAWING IS A CONTROLLED DOCUMENT.

DIMENSIONS: INCHES	TOLERANCES UNLESS OTHERWISE SPECIFIED: 0 PLC ±. 2 PLC ±.01 3 PLC ±.005 4 PLC ±.0020 ANGLES ±.7°	FINISH	OWN: R. GRZYBOWSKI 02FEB05 CHK: M. PERCHERKE 02FEB05 APVD: M. PERCHERKE 02FEB05	NAME: RIGHT ANGLE HEADER W/GUIDES ASSEMBLY MULTI-BEAM XL
MATERIAL	FINISH	WEIGHT	PRODUCT SPEC: 108-1973 APPLICATION SPEC: 114-13038	SIZE: A100779 C=6450120
CUSTOMER DRAWING			SCALE: 4:1	SHEET 17 OF 24 REV: M2

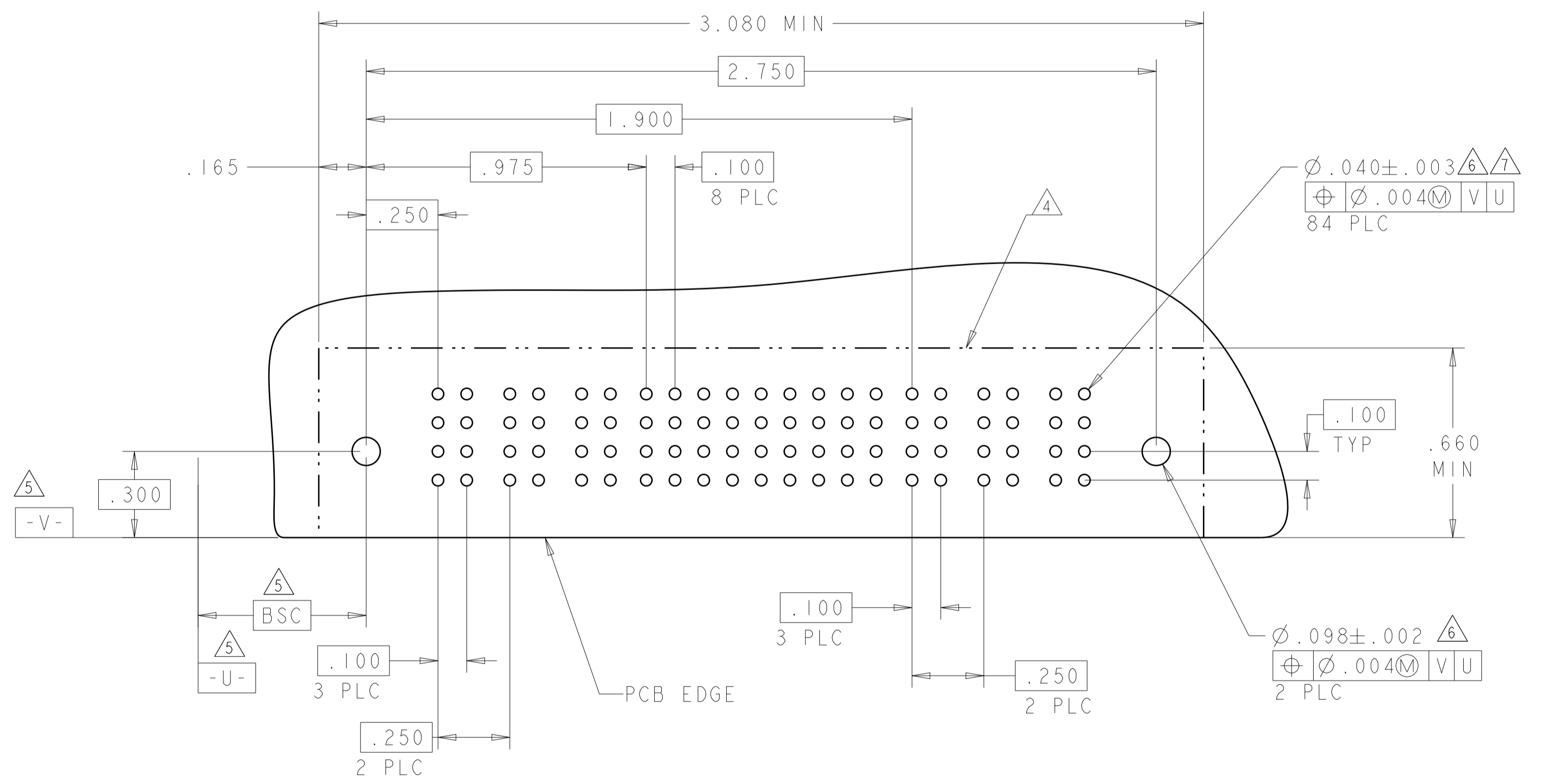
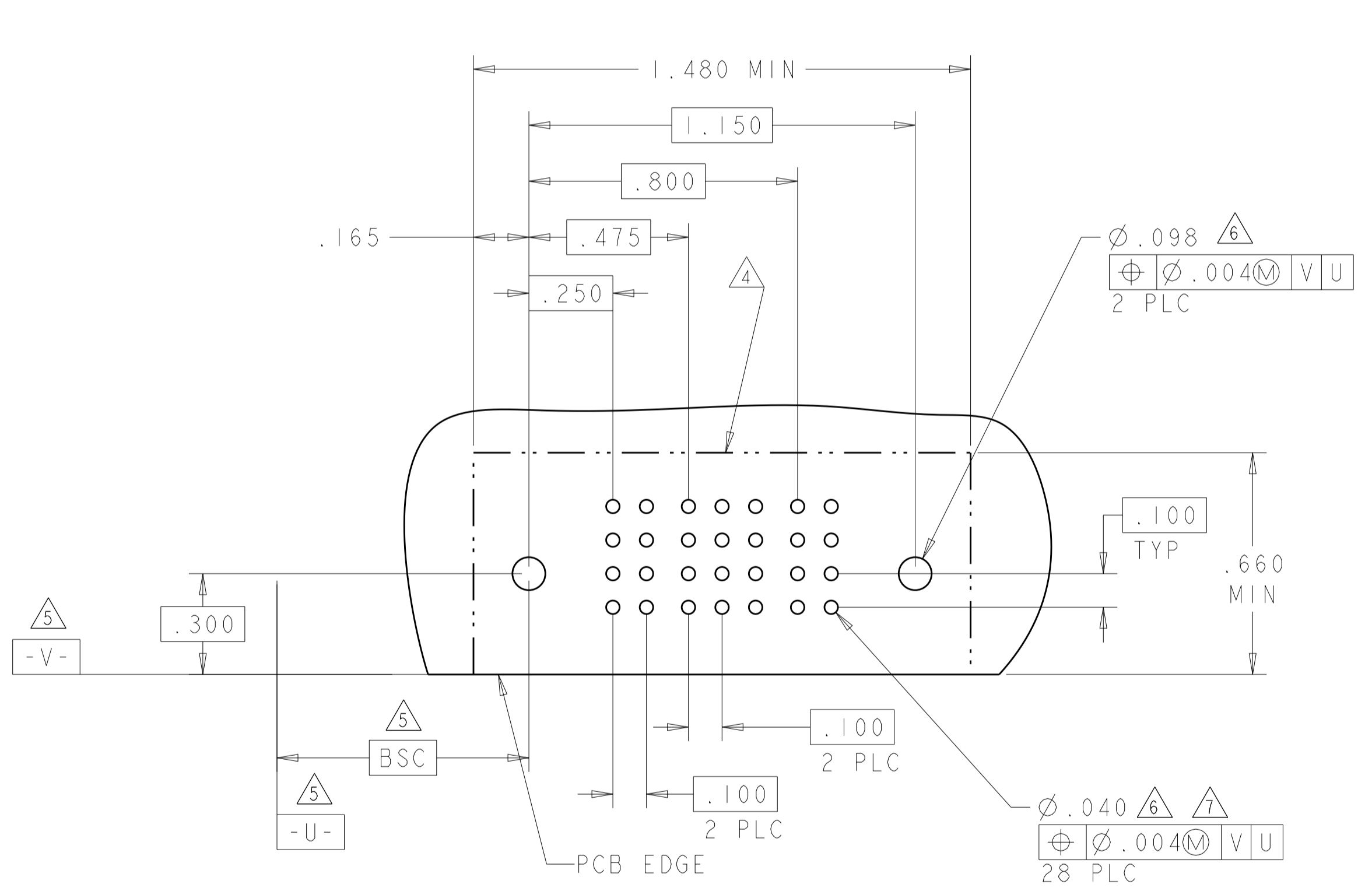
4805 (3/11)

LOC	DIST	REV	LTN	DESCRIPTION	DATE	DWN	APVD
ES	00			SEE SHEET 1			

PART NUMBER	ROWS	POWER			SIGNAL			POWER		
		P1	1	2	3	P2				
6-6450120-9	D	PM	J	J	E	PM				
	C		K	K	K					
	B		N	N	N					
	A		H	S	S					
IP + 12S + IP		HD				HD				

PART NUMBER	ROWS	POWER			SIGNAL									POWER					
		P1	P2	P3	1	2	3	4	5	6	7	8	9	P4	P5	P6			
5-6450120-7	D	PM	PM	PM	J	J	J	J	J	J	J	J	J	J	J	PM	PM	PM	
	C				K	K	K	K	K	K	K	K	K	K	K				
	B				N	N	N	N	N	N	N	N	N	N	N				N
	A				S	S	S	S	S	S	S	S	S	S	S				S
3P + 36S + 3P		HD													HD				

PART NUMBER	ROWS	POWER			SIGNAL			POWER		
		P1	1	2	3	P2				
5-6450120-6	D	PM	J	J	J	PM				
	C		K	K	K					
	B		N	N	N					
	A		S	S	S					
IP + 12S + IP		HD				HD				

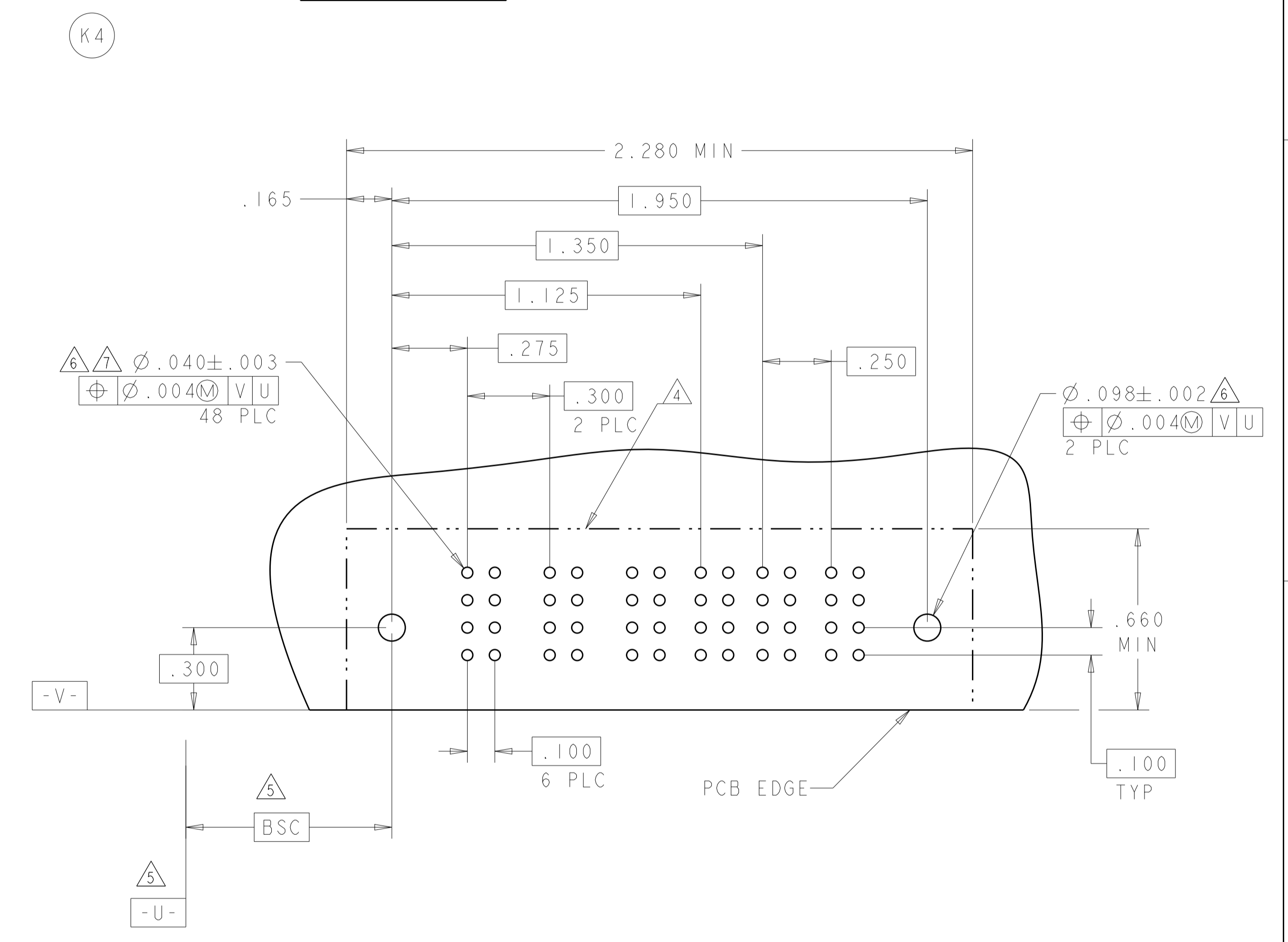
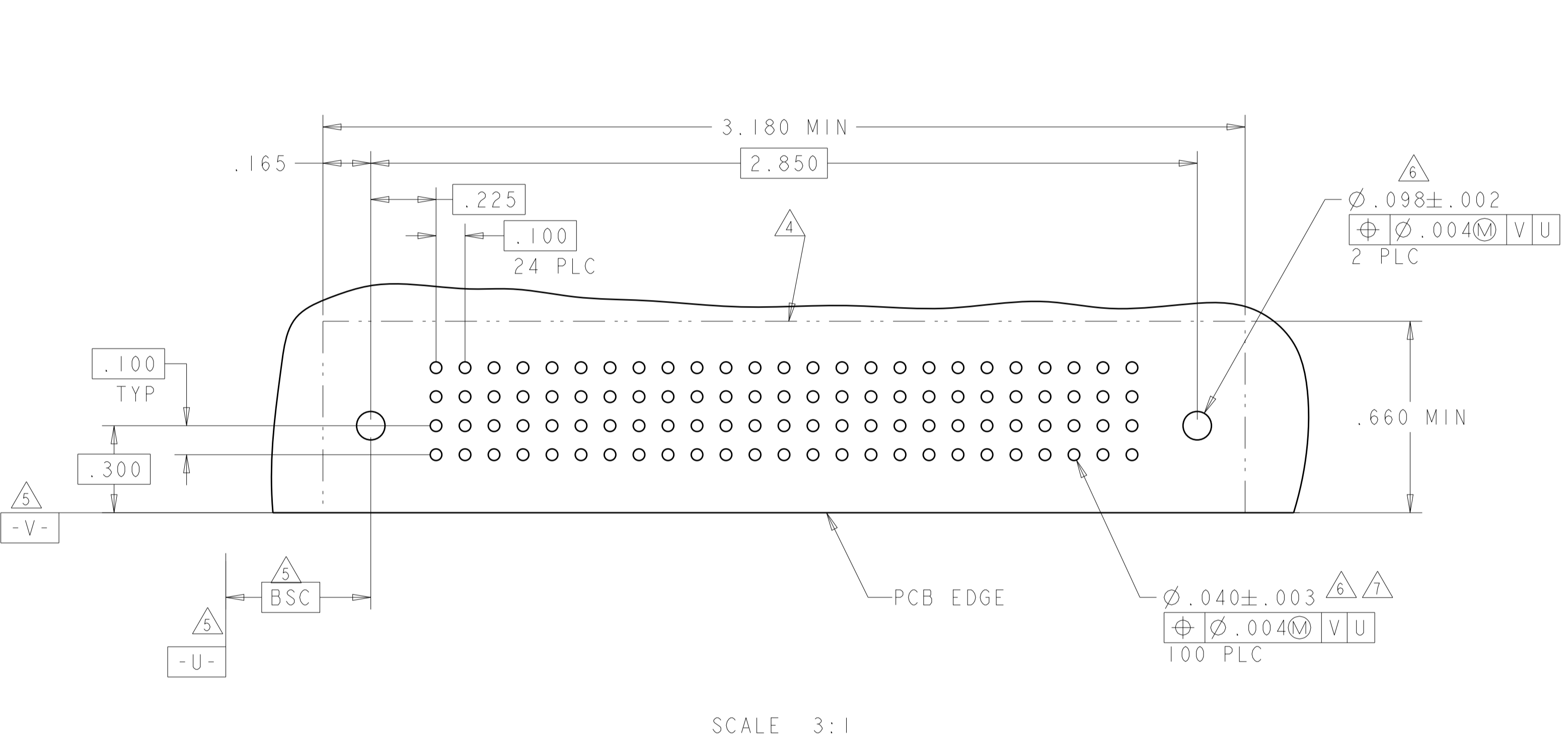


THIS DRAWING IS A CONTROLLED DOCUMENT.		DWN: R. GRZYBOWSKI 02FEB05	TE Connectivity	
DIMENSIONS: INCHES		CHK: M. PERCHERKE 02FEB05		
TOLERANCES UNLESS OTHERWISE SPECIFIED:		APVD: M. PERCHERKE 02FEB05	NAME: RIGHT ANGLE HEADER W/GUIDES ASSEMBLY MULTI-BEAM XL	
0 PLC ±.01	1 PLC ±.01	PRODUCT SPEC: 108-1973	SIZE: CAGE CODE: DRAWING NO: A100779C=6450120	
2 PLC ±.01	3 PLC ±.005	APPLICATION SPEC: 114-13038	RESTRICTED TO: -	
4 PLC ±.0020	ANGLES ±.7°	WEIGHT: -	SCALE: 4:1 SHEET 18 OF 24 REV: M2	
MATERIAL: -	FINISH: -	CUSTOMER DRAWING		

LOC	DIST	REV	DATE	APPV
ES	00			
DESCRIPTION			DATE	APPV
SEE SHEET 1				

PART NUMBER	ROWS	SIGNAL																								
		1	2	3	4	5	6	7	8	9	10	11	12	13	14	15	16	17	18	19	20	21	22	23	24	25
5-6450120-8	D	J	J	J	J	J	J	J	J	J	J	J	J	J	J	J	J	J	J	J	J	J	J	J	J	J
	C	K	K	K	K	K	K	K	K	K	K	K	K	K	K	K	K	K	K	K	K	K	K	K	K	K
	B	N	N	N	N	N	N	N	N	N	N	N	N	N	N	N	N	N	N	N	N	N	N	N	N	N
A	S	S	S	S	S	S	S	S	S	S	S	S	S	S	S	S	S	S	S	S	S	S	S	S	S	
100S		HD																								HD

PART NUMBER	ROWS	POWER			SIGNAL		POWER	
		P1	P2	P3	1	2	P4	P5
5-6450120-9	D	PM	PM	PM	J	J	PM	PM
	C				K	K		
	B				N	N		
A				H	S			
3ACP + 8S + 2P		HD				HD		



THIS DRAWING IS A CONTROLLED DOCUMENT.

DIMENSIONS:	TOLERANCES UNLESS OTHERWISE SPECIFIED:	OWN: R. GRZYBOWSKI 02FEB05	CHK: M. PERCHERKE 02FEB05	APVD: M. PERCHERKE 02FEB05	NAME: R. GRZYBOWSKI
INCHES	0 PLC ± .01 2 PLC ± .01 3 PLC ± .01 4 PLC ± .005 ANGLES ± .0020	PRODUCT SPEC: 108-1973	APPLICATION SPEC: 114-13038	WEIGHT: -	RESTRICTED TO: -
MATERIAL: -	FINISH: -	SIZE: A1	CAGE CODE: 6450120	SCALE: 4:1	SHEET 19 OF 24
CUSTOMER DRAWING		TE Connectivity			REV: M2

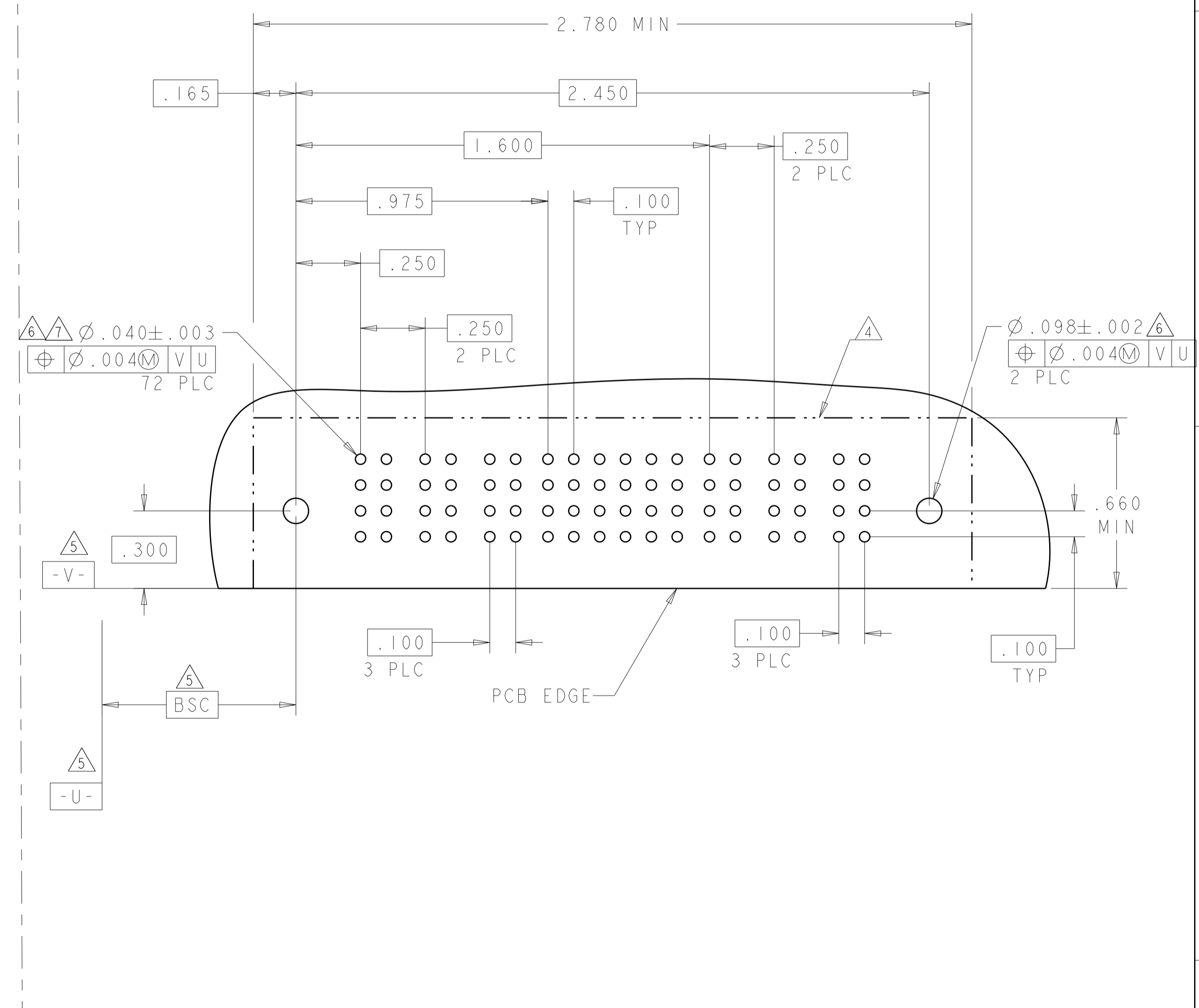
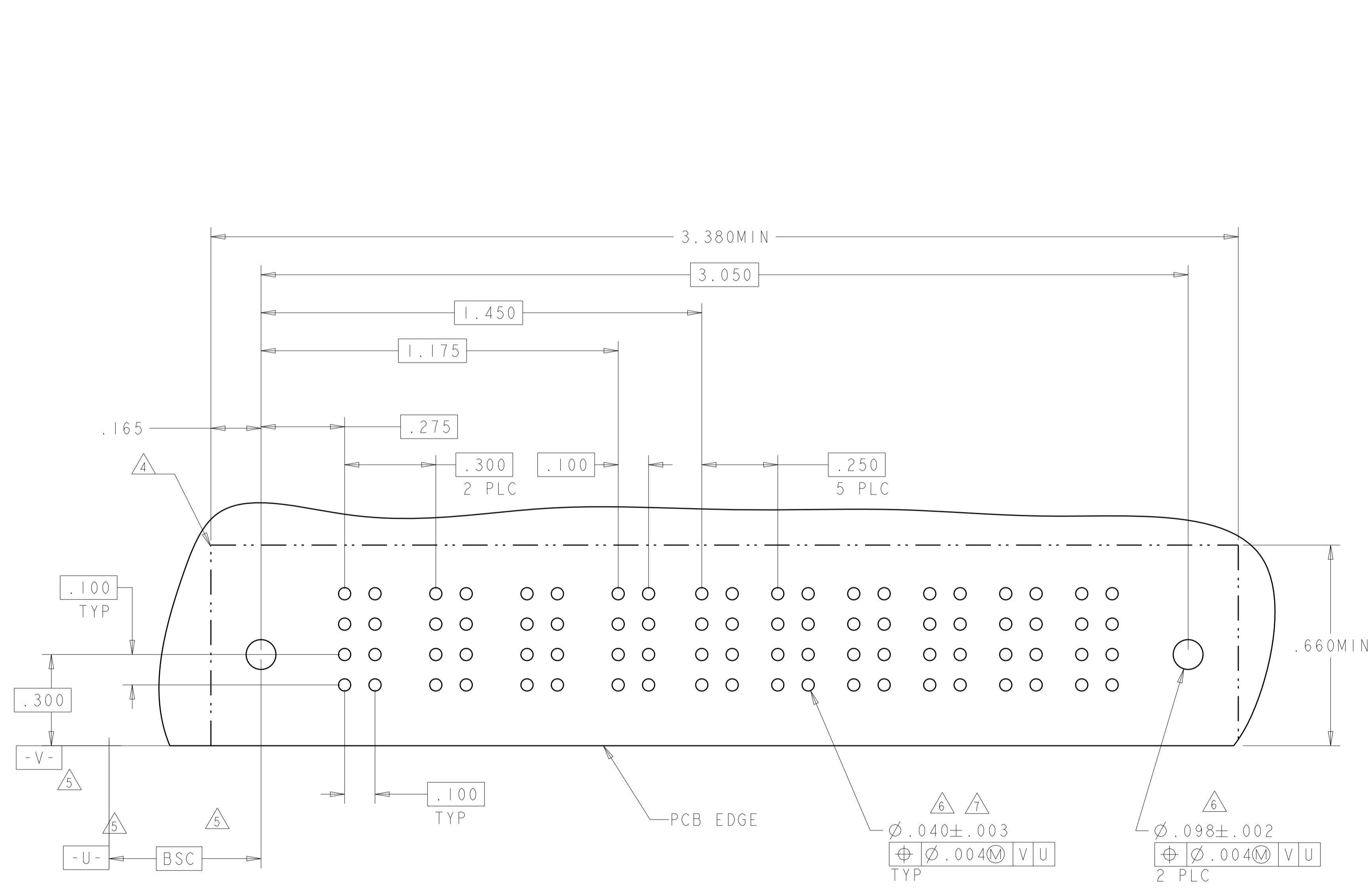
LOC		DIST		REVISIONS			
ES	00	P	LTN	DESCRIPTION	DATE	DWN	APVD
-	-	-	-	SEE SHEET 1	-	-	-

PART NUMBER	ROWS	POWER			SIGNAL		POWER					
		P1	P2	P3	1	2	P4	P5	P6	P7	P8	P9
6-6450120-0	D	PM	PM	PM	J	J	PM	PM	PM	PM	PM	PM
	C				K	K						
	B				N	N						
	A				H	S						

3ACP + 8S + 6P

PART NUMBER	ROWS	POWER			SIGNAL						POWER		
		P1	P2	P3	1	2	3	4	5	6	P4	P5	P6
6-6450120-1	D	PM	PM	PM	J	J	J	J	J	J	PM	PM	PM
	C				K	K	F	F	K	K			
	B				N	N	G	G	N	N			
	A				S	S	S	S	S	S			

3P + 24S + 3P



THIS DRAWING IS A CONTROLLED DOCUMENT.		OWN R. GRZYBOWSKI	02FEB05	TE Connectivity
DIMENSIONS: INCHES		CHK M. PERCHERKE	02FEB05	
		APVD M. PERCHERKE	02FEB05	NAME RIGHT ANGLE HEADER W/GUIDES ASSEMBLY MULTI-BEAM XL
MATERIAL		PRODUCT SPEC	108-1973	SIZE
FINISH		APPLICATION SPEC	114-13038	CAGE CODE
		WEIGHT		DRAWING NO
		CUSTOMER DRAWING		A100779
		SCALE	4:1	SHEET 20 OF 24
		REV	M2	

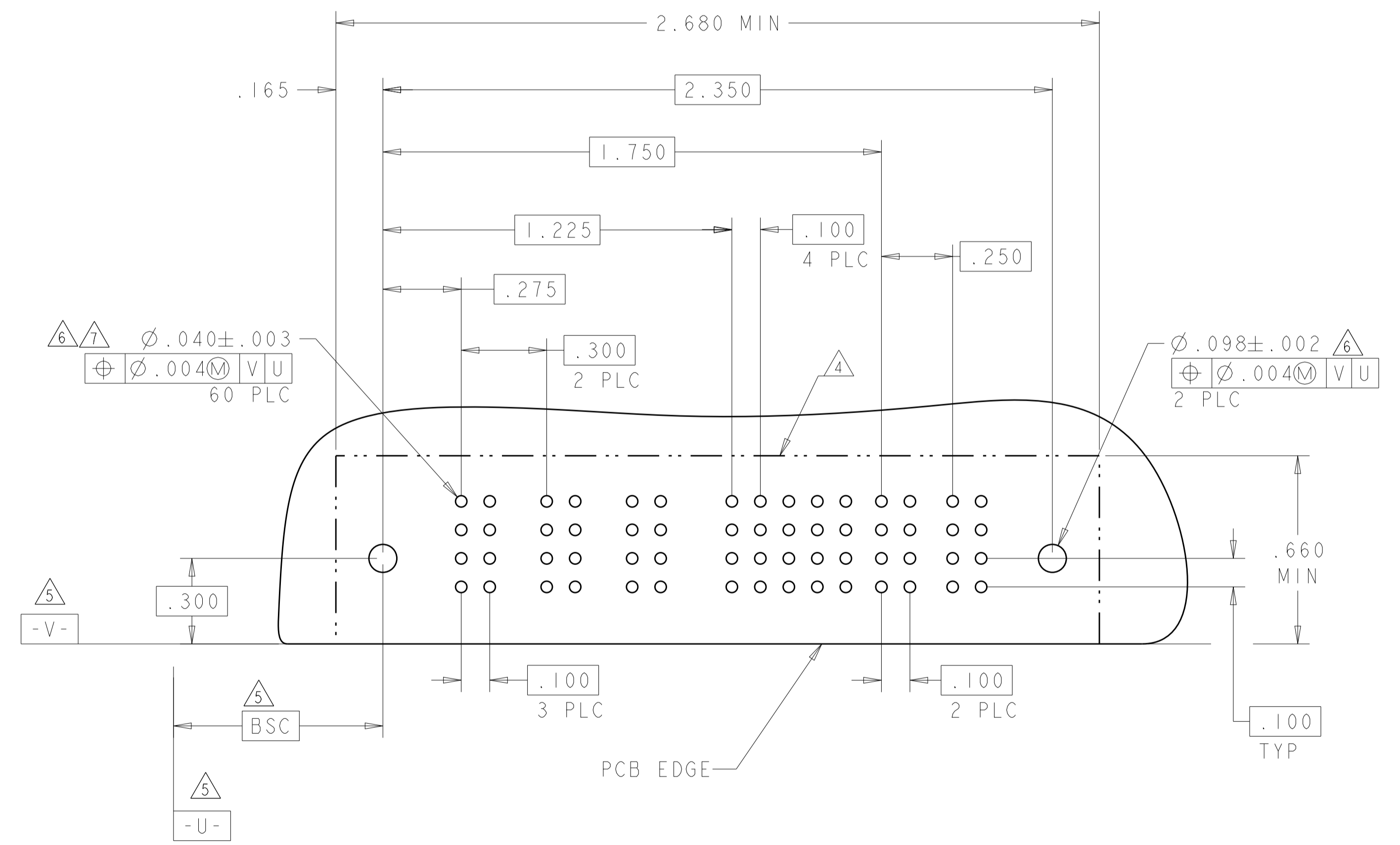
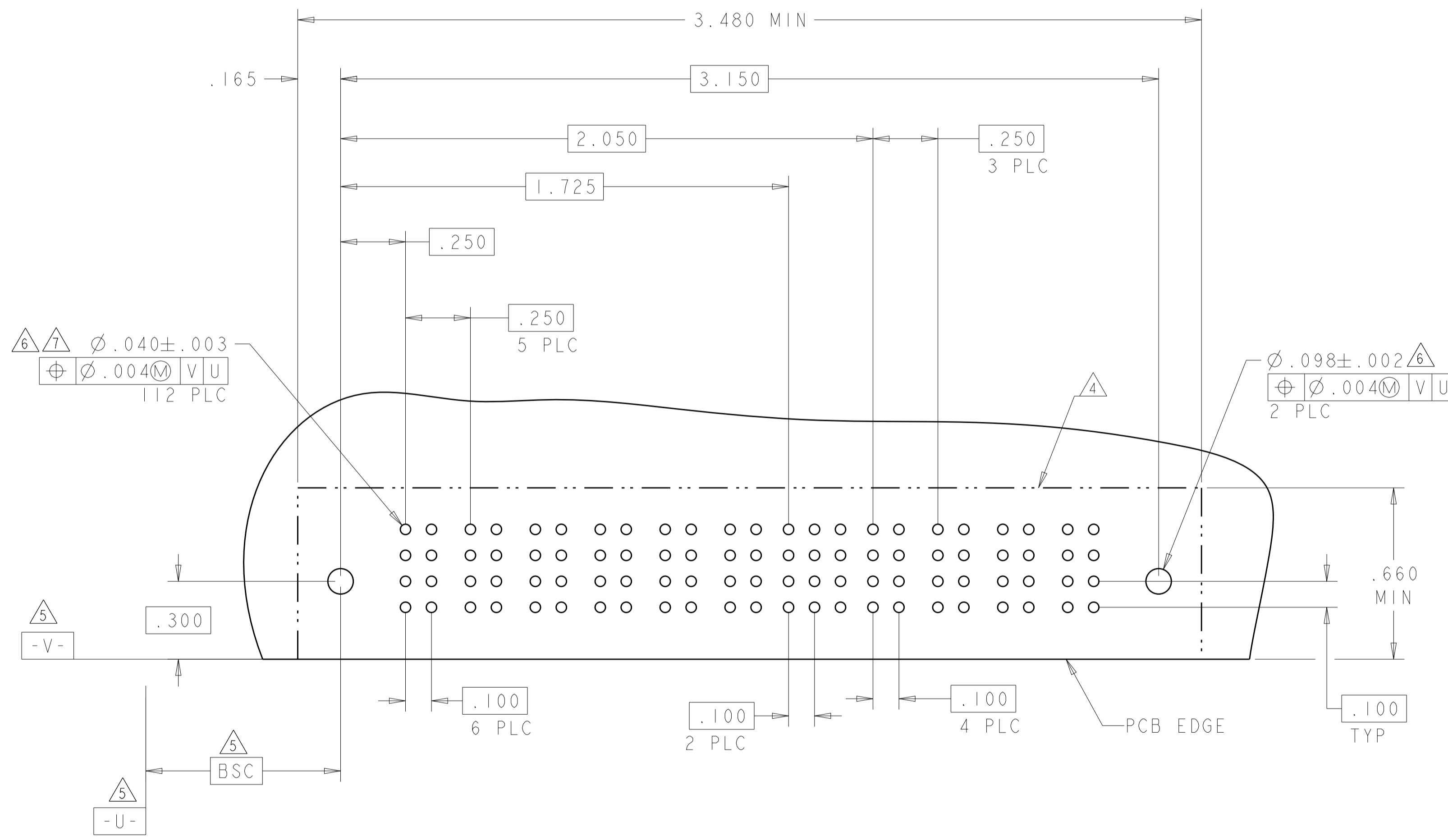
LOC	DIST	REV	DATE	BY	APPD
ES	00				

REVISIONS		DATE	BY	APPD
-	SEE SHEET 1	-	-	-

PART NUMBER	ROWS	POWER						SIGNAL			POWER			
		P1	P2	P3	P4	P5	P6	1	2	3	P7	P8	P9	P10
6-6450120-4	D C B A	PM	PM	PM	PM	PM	PM	J	J	E	PM	PM	PM	PM
								K	K	F				
								N	N	N				
6P + 12S + 4P		HD		HD										

PART NUMBER	ROWS	POWER			SIGNAL						POWER	
		P1	P2	P3	1	2	3	4	5	6	P4	P5
6-6450120-5	D C B A	PM	PM	PM	J	J	J	J	J	J	PM	PM
					K	K	K	K	K			
					N	N	N	N	N			
3ACP + 24S + 2P		HD		HD								

NO CONTACTS LOADED



THIS DRAWING IS A CONTROLLED DOCUMENT.

DIMENSIONS:	TOLERANCES UNLESS OTHERWISE SPECIFIED:	OWN: R. GRZYBOWSKI 02FEB05	CHK: M. PERCHERKE 02FEB05	APVD: M. PERCHERKE 02FEB05	NAME: RIGHT ANGLE HEADER W/GUIDES ASSEMBLY MULTI-BEAM XL
INCHES	0 PLC ±.01 1 PLC ±.01 2 PLC ±.01 3 PLC ±.005 4 PLC ±.002 ANGLES ±.2°	PRODUCT SPEC: 108-1973	APPLICATION SPEC: 114-13038	WEIGHT: -	SIZE: A1
MATERIAL: -	FINISH: -	CAGE CODE: -	DRAWING NO: 6450120	SCALE: 4:1	SHEET 21 OF 24
CUSTOMER DRAWING				REV: M2	

STE TE Connectivity

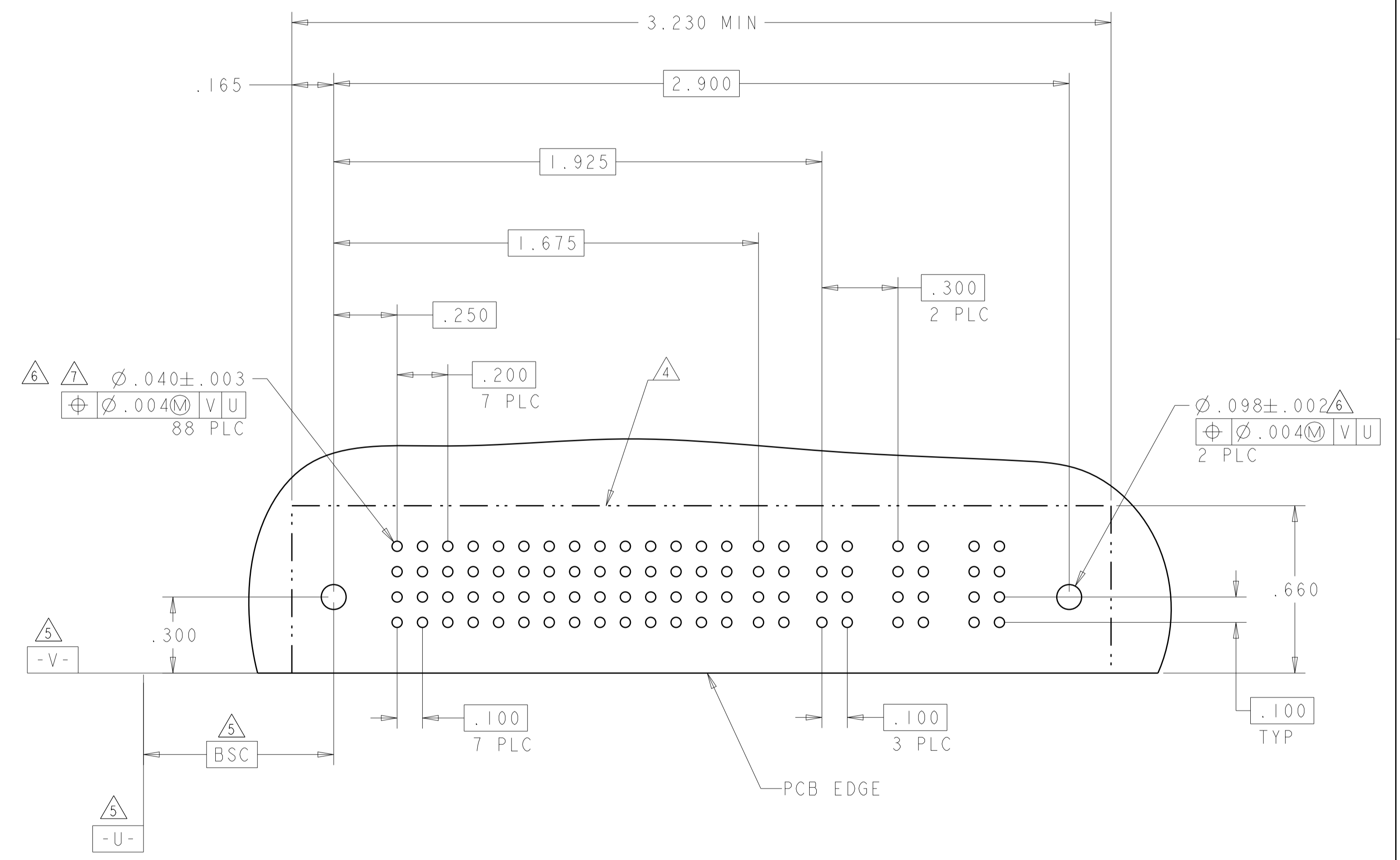
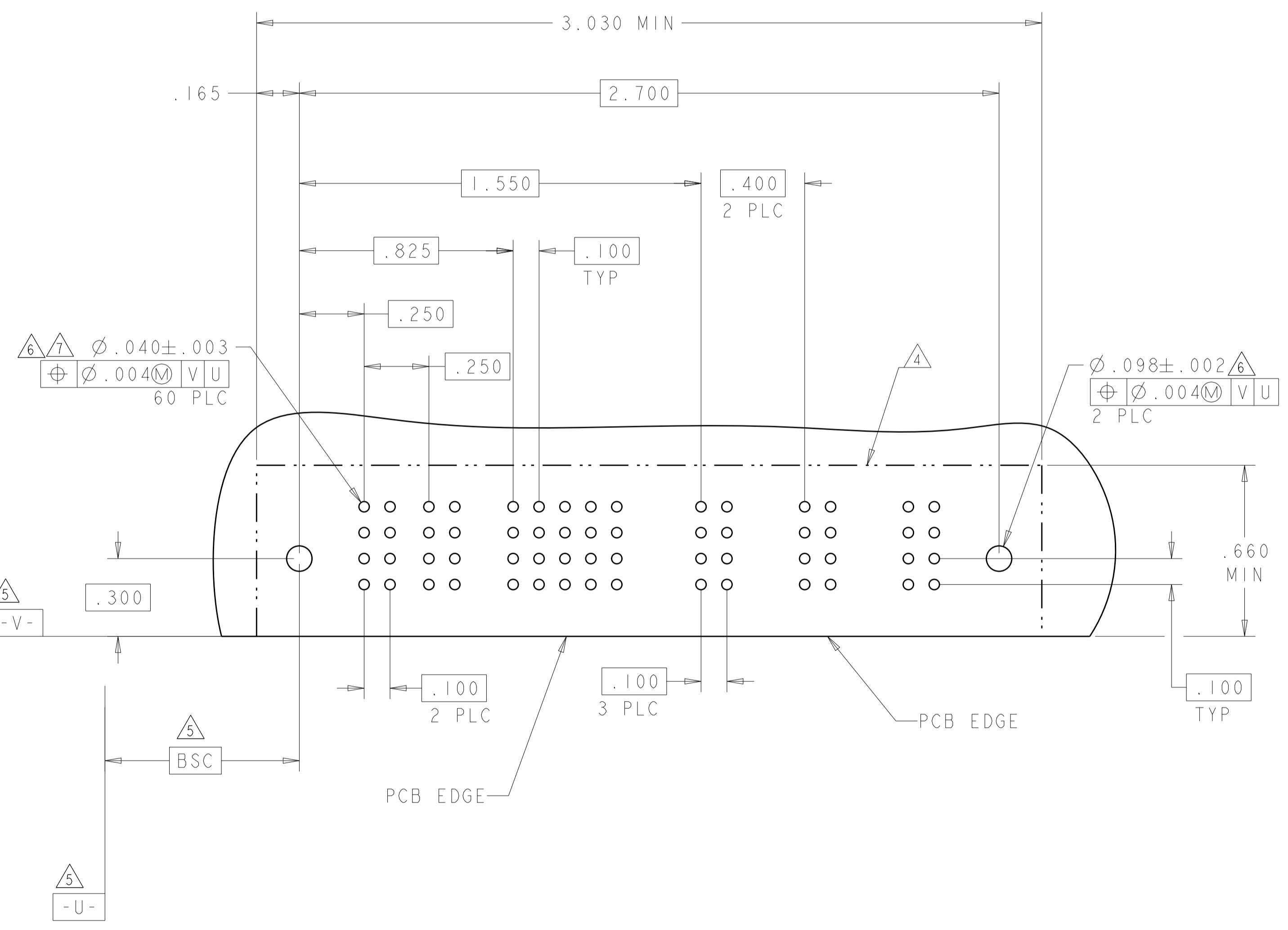
LOC		DIST		REVISIONS			
ES	00	P	LTN	DESCRIPTION	DATE	DMN	APVD
		-		SEE SHEET 1			

PART NUMBER	ROWS	POWER		SIGNAL						POWER					
		P1	P2	1	2	3	4	5	6	P3	P4	P5	P6	P7	P8
6-6450120-6	D	PM	PM	J	J	J	J	J		PM	PM	PM	PM	PM	PM
	C			K	K	K	K	K							
	B			N	N	N	N	N							
A	S	S	S	S	S										
2P + 24S + 6P		HD								HD					

NO CONTACTS LOADED

PART NUMBER	ROWS	POWER							SIGNAL		POWER		
		P1	P2	P3	P4	P5	P6	P7	1	2	P8	P9	P10
6-6450120-7	D	PM	PM	PM	PM	PM	PM	PM	E	E	PM	PM	PM
	C								F	F			
	B								G	G			
	A								H	H			
7HDP + 8S + 3ACP		HD									HD		

(L5)



THIS DRAWING IS A CONTROLLED DOCUMENT.

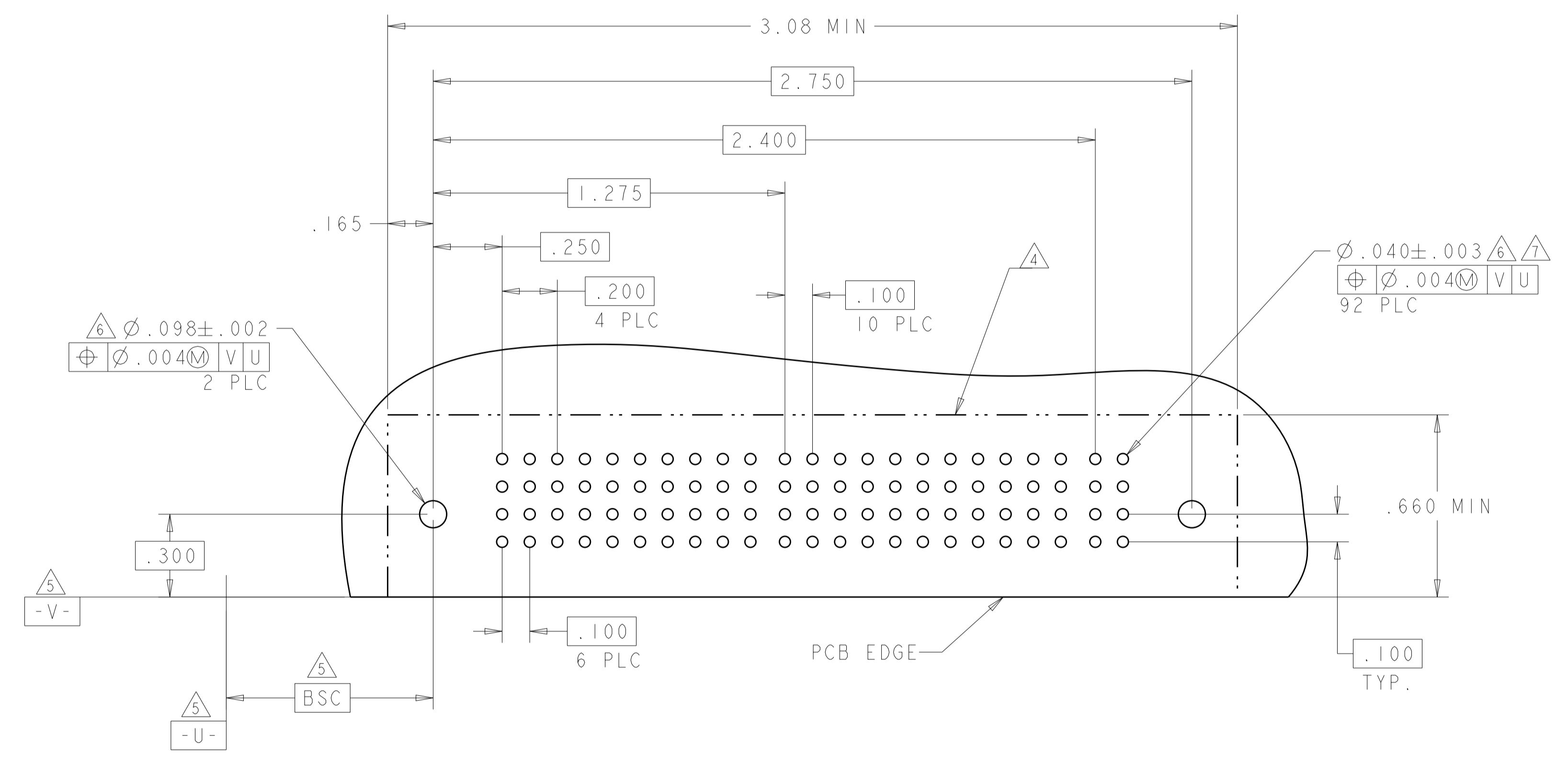
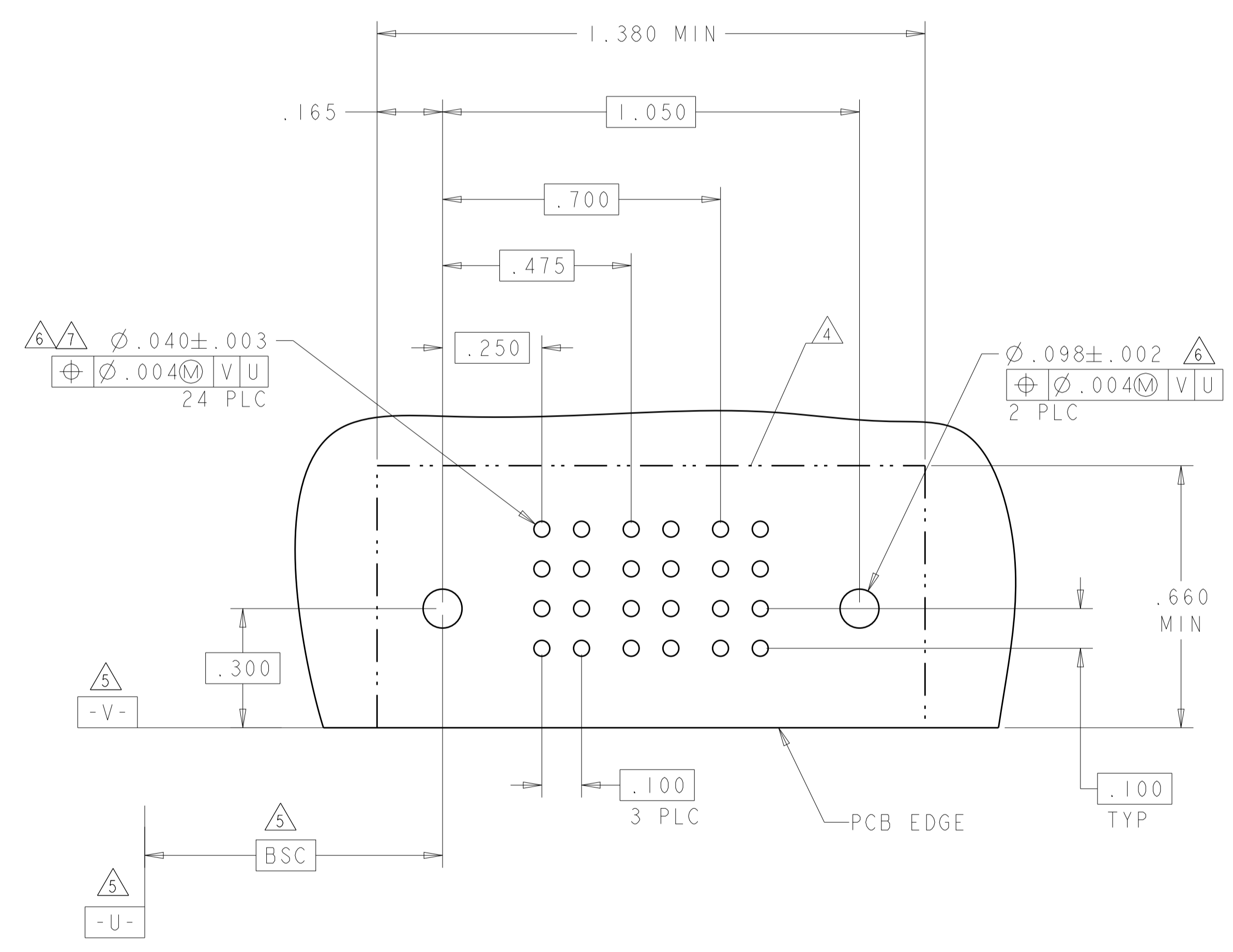
DIMENSIONS:	TOLERANCES UNLESS OTHERWISE SPECIFIED:	DMN: R. GRZYBOWSKI 02FEB05	CHK: M. PERCHERKE 02FEB05	APVD: M. PERCHERKE 02FEB05	NAME: RIGHT ANGLE HEADER W/GUIDES ASSEMBLY MULTI-BEAM XL
INCHES	0 PLC ±.01 1 PLC ±.01 2 PLC ±.01 3 PLC ±.005 4 PLC ±.002 ANGLES ±.020	PRODUCT SPEC: 108-1973	APPLICATION SPEC: 114-13038	WEIGHT: -	SIZE: A1
MATERIAL: -	FINISH: -	CAGE CODE: 6450120	SCALE: 4:1	SHEET: 22	REV: M2

CUSTOMER DRAWING

LOC		DIST		REVISONS			
ES	00	P	LTN	DESCRIPTION	DATE	DMN	APVD
		-		SEE SHEET 1			

PART NUMBER	ROWS	POWER		SIGNAL		POWER	
		P1	P2	1	2	P1	P2
6-6450120-8	D	PM	PM	J	J	PM	PM
	C			K	K		
	B			N	N		
	A			S	S		
IP + 8S + IP		HD				HD	

PART NUMBER	ROWS	POWER					SIGNAL											POWER
		P1	P2	P3	P4	P5	1	2	3	4	5	6	7	8	9	10	11	P6
7-6450120-0	D	PM	PM	PM	PM	J	J	J	J	J	J	K	F	F	F	F	F	PM
	C					G	N	N	N	N	K	F	F	F	F			
	B					H	H	H	H	H	S	S	H	H	H	H		
	A																	
5P + 44S + IP		HD																HD

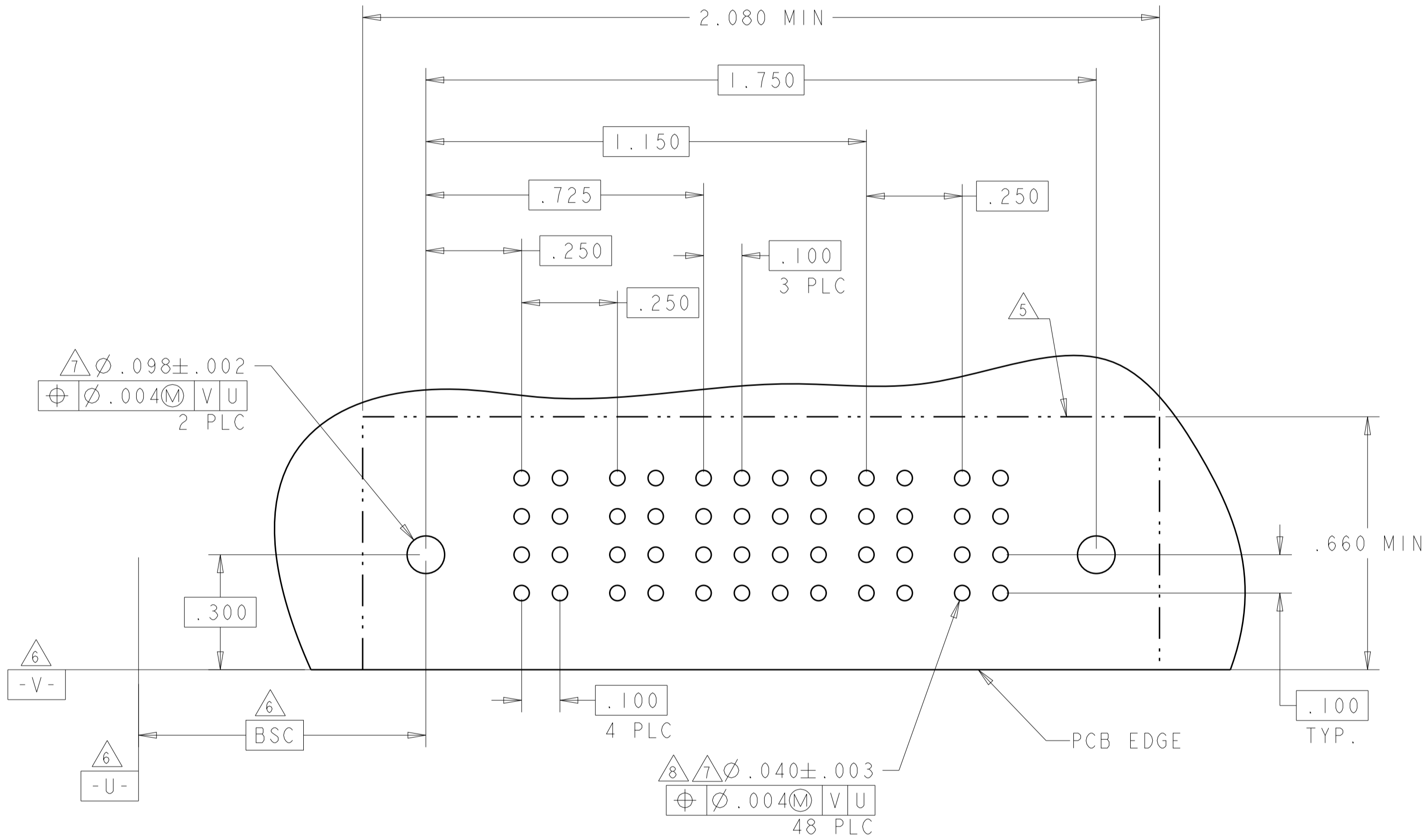


THIS DRAWING IS A CONTROLLED DOCUMENT.

DIMENSIONS:	TOLERANCES UNLESS OTHERWISE SPECIFIED:	OWN: R. GRZYBOWSKI 02FEB05	CHK: M. PERCHERKE 02FEB05	TE Connectivity
INCHES	0 PLC ± 2 PLC ±.01 3 PLC ±.005 4 PLC ±.0020 ANGLES ±.2°	APVD: M. PERCHERKE 02FEB05	NAME: RIGHT ANGLE HEADER W/GUIDES ASSEMBLY MULTI-BEAM XL	
MATERIAL:	FINISH:	PRODUCT SPEC: 108-1973	APPLICATION SPEC: 114-13038	SIZE: A1
		WEIGHT:	CAGE CODE: 6450120	RESTRICTED TO:
		CUSTOMER DRAWING		SCALE: 4:1 SHEET 23 OF 24 REV: M2

LOC	DIST	REV	DATE	BY	APPV
ES	00				
		REVISIONS			
		DESCRIPTION	DATE	BY	APPV
		SEE SHEET 1	-	-	-

PART NUMBER	ROWS	POWER		SIGNAL				POWER	
		P1	P2	1	2	3	4	P3	P4
7-6450120-1	D	PM	PM	E	E	E	E	PM	PM
	C			F	F	F	F		
	B			N	N	N	N		
	A			H	H	H	H		
2P + 16S + 2P		HD						HD	



THIS DRAWING IS A CONTROLLED DOCUMENT.		OWN: R. GRZYBOWSKI 02FEB05	 TE Connectivity
DIMENSIONS: INCHES		CHK: M. PERCZERKE 02FEB05	
TOLERANCES UNLESS OTHERWISE SPECIFIED:		APVD: M. PERCZERKE 02FEB05	NAME: RIGHT ANGLE HEADER W/GUIDES ASSEMBLY MULTI-BEAM XL
0 PLC ±.01	1 PLC ±.01	PRODUCT SPEC: 108-1973	SIZE: CAGE CODE DRAWING NO: A100779C=6450120
2 PLC ±.01	3 PLC ±.005	APPLICATION SPEC: 114-13038	RESTRICTED TO: -
4 PLC ±.0020	ANGLES ±.2°	WEIGHT: -	SCALE: 4:1 SHEET 24 OF 24 REV: M2
MATERIAL: -	FINISH: -	CUSTOMER DRAWING	