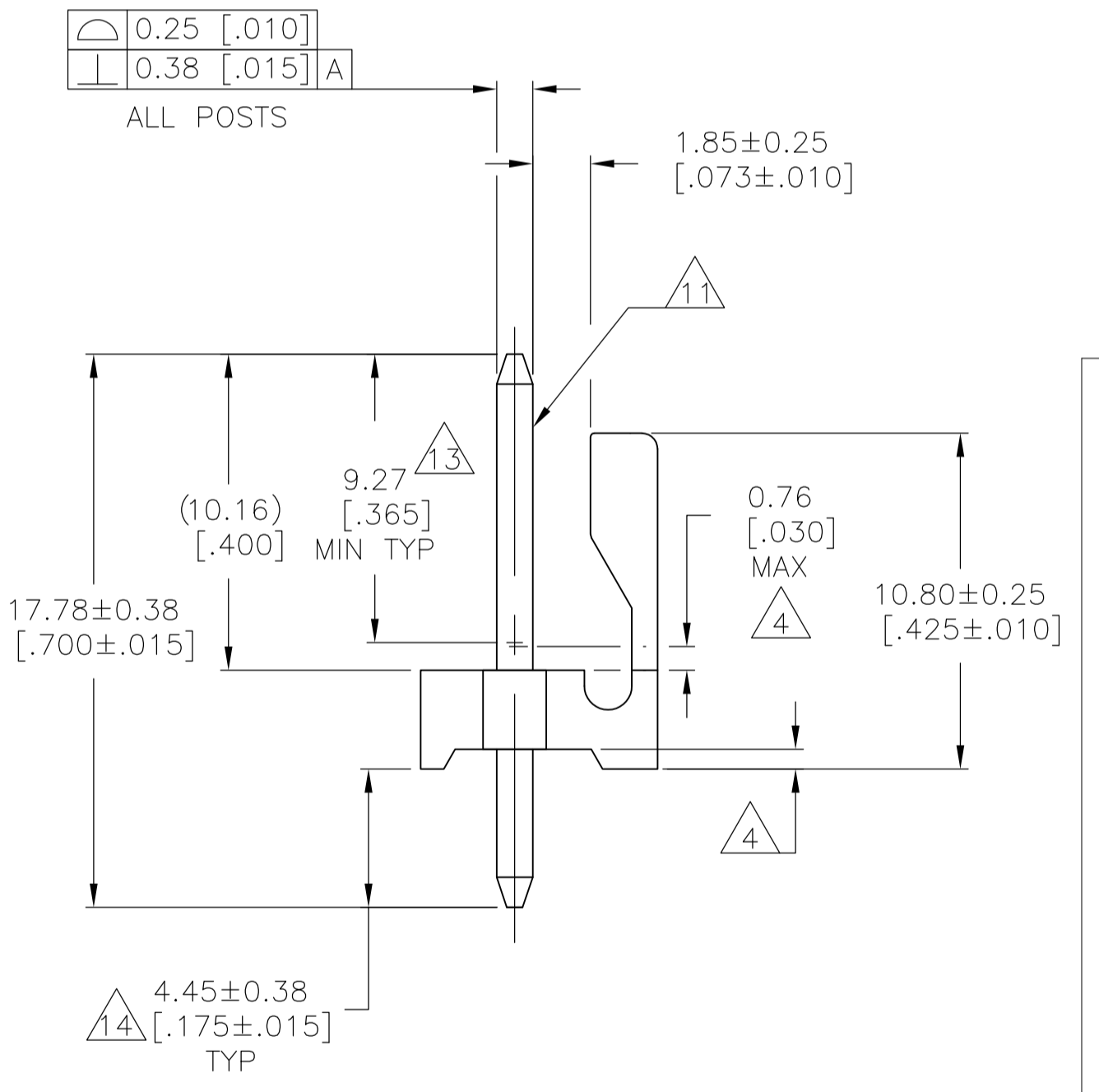
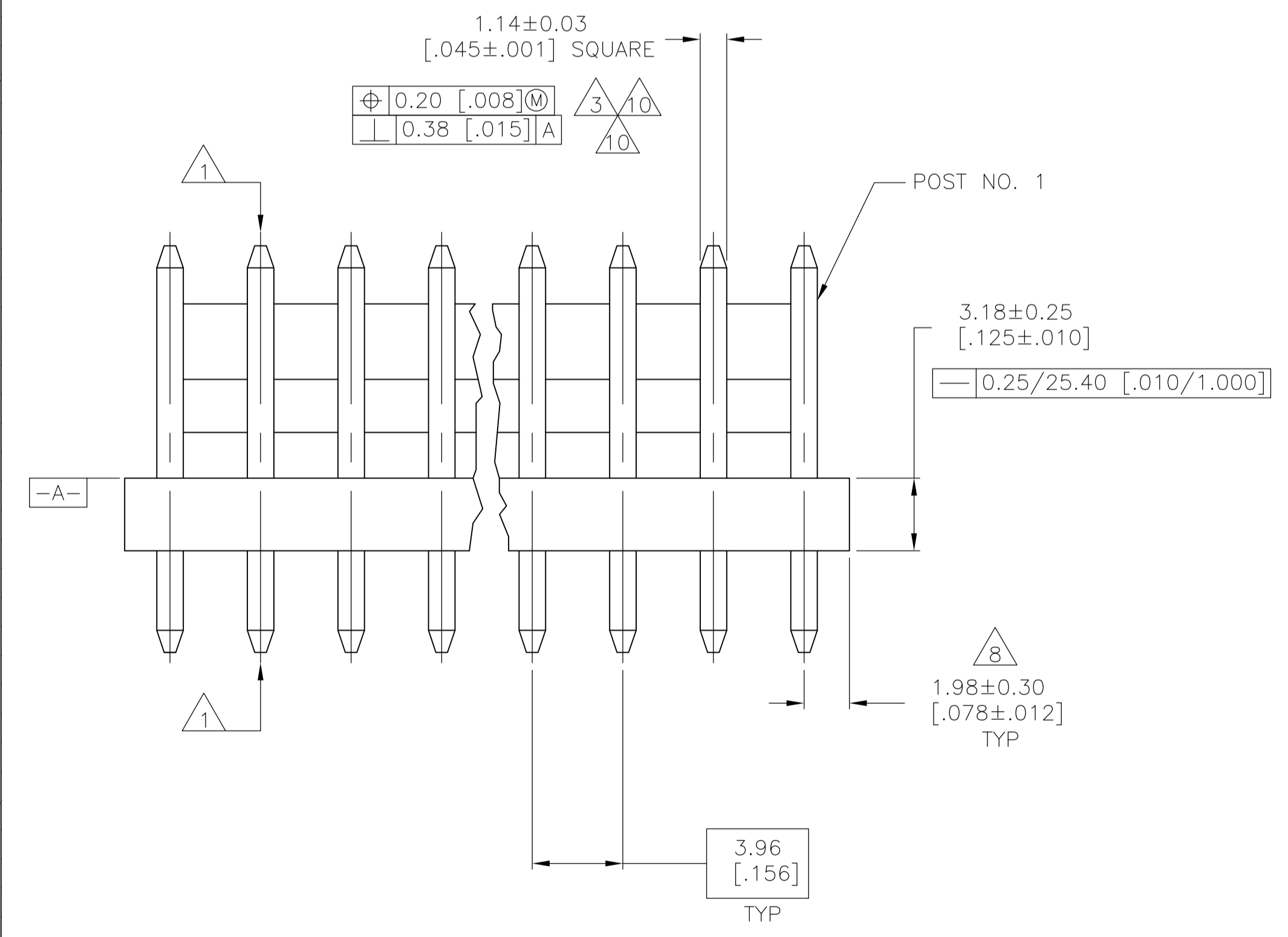


RECOMMENDED MOUNTING HOLE PATTERN FOR .109±0.016 THICK P.C. BOARD



DIM (L)	NO.OF POSN	ASSEMBLY	SUPERSEDED	LEAD	STRAIGHT	COUC	DIM (L)			NO.OF POSN			ASSEMBLY		
							95.10 [3.744]	24	5-644766-4	95.10 [3.744]	24	2-644766-4	91.14 [3.588]	23	5-644766-3
87.17 [3.432]	22	5-644766-2					87.17 [3.432]	22	2-644766-2	87.17 [3.432]	22	2-644766-2			
83.21 [3.276]	21	5-644766-1					83.21 [3.276]	21	2-644766-1	83.21 [3.276]	21	2-644766-1			
79.25 [3.120]	20	5-644766-0					79.25 [3.120]	20	2-644766-0	79.25 [3.120]	20	2-644766-0			
75.29 [2.964]	19	4-644766-9					75.29 [2.964]	19	1-644766-9	75.29 [2.964]	19	1-644766-9			
71.32 [2.808]	18	4-644766-8					71.32 [2.808]	18	1-644766-8	71.32 [2.808]	18	1-644766-8			
67.36 [2.652]	17	4-644766-7					67.36 [2.652]	17	1-644766-7	67.36 [2.652]	17	1-644766-7			
63.40 [2.496]	16	4-644766-6					63.40 [2.496]	16	1-644766-6	63.40 [2.496]	16	1-644766-6			
59.44 [2.340]	15	4-644766-5					59.44 [2.340]	15	1-644766-5	59.44 [2.340]	15	1-644766-5			
55.47 [2.184]	14	4-644766-4					55.47 [2.184]	14	1-644766-4	55.47 [2.184]	14	1-644766-4			
51.51 [2.028]	13	4-644766-3					51.51 [2.028]	13	1-644766-3	51.51 [2.028]	13	1-644766-3			
47.55 [1.872]	12	4-644766-2					47.55 [1.872]	12	1-644766-2	47.55 [1.872]	12	1-644766-2			
43.59 [1.716]	11	4-644766-1					43.59 [1.716]	11	1-644766-1	43.59 [1.716]	11	1-644766-1			
39.62 [1.560]	10	4-644766-0					39.62 [1.560]	10	1-644766-0	39.62 [1.560]	10	1-644766-0			
35.66 [1.404]	9	3-644766-9					35.66 [1.404]	9	644766-9	35.66 [1.404]	9	644766-9			
31.70 [1.248]	8	3-644766-8					31.70 [1.248]	8	644766-8	31.70 [1.248]	8	644766-8			
27.74 [1.092]	7	3-644766-7					27.74 [1.092]	7	644766-7	27.74 [1.092]	7	644766-7			
23.77 [.936]	6	3-644766-6					23.77 [.936]	6	644766-6	23.77 [.936]	6	644766-6			
19.81 [.780]	5	3-644766-5					19.81 [.780]	5	644766-5	19.81 [.780]	5	644766-5			
15.85 [.624]	4	3-644766-4					15.85 [.624]	4	644766-4	15.85 [.624]	4	644766-4			
11.89 [.468]	3	3-644766-3					11.89 [.468]	3	644766-3	11.89 [.468]	3	644766-3			
7.92 [.312]	2	3-644766-2					7.92 [.312]	2	644766-2	7.92 [.312]	2	644766-2			

THIS DRAWING IS A CONTROLLED DOCUMENT. DIMENSIONS: mm [INCHES]. TOLERANCES UNLESS OTHERWISE SPECIFIED: 0 PLC ±, 1 PLC ±, 2 PLC ±, 3 PLC ± 0.13 [.005], 4 PLC ±, ANGLES ±.

APPROVED: S. HOOVER, D. BOSSI, D. BOSSI. NAME: MTA-.156 HEADER ASSEMBLY, FRICTION LOCK, STRAIGHT, .045 SQUARE POST, .000015 GOLD, SPECIAL. SIZE: A1. WEIGHT: -. CUSTOMER DRAWING. SCALE: 5:1. SHEET: 1 OF 1. REV: H2.

STE TE Connectivity