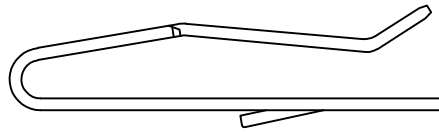
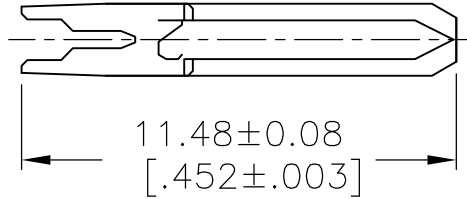


REVISIONS					
P	LTR	DESCRIPTION	DATE	DWN	APVD
	M	REVISED PER ECR-17-018816	05APR2018	BDA	SG



RELEASED FOR PUBLICATION


ALL RIGHTS RESERVED.

THIS DRAWING IS UNPUBLISHED.

© COPYRIGHT - TE Connectivity Ltd.

	TIN	640636-3
SUPERSEDED	TIN-LEAD	640636-1
	FINISH	PART NO

MATERIAL	FINISH
0.3 (.012) THK COPPER ALLOY	MATTE TIN OR BRIGHT TIN-LEAD 0.00203(.000080) MIN THK

DIMENSIONS: mm [INCHES]	DWN BSV	25OCT2005	MATERIAL	-	FINISH	-						
	CHK D. BOSSI	25OCT2005	 TE Connectivity Ltd.									
TOLERANCES UNLESS OTHERWISE SPECIFIED:	APVD D. BOSSI	25OCT2005										
0 PLC ± -	PRODUCT SPEC	-	NAME CONTACT, LOOSE PIECE. 22 AWG WIRE, MTA-100									
1 PLC ± -	APPLICATION SPEC	-										
2 PLC ± -	WEIGHT	-	SIZE	A4	CAGE CODE	00779	DRAWING NO	C-640636	RESTRICTED TO	-		
3 PLC ± -			CUSTOMER DRAWING				SCALE	5:1	SHEET	1 OF 1	REV	M
4 PLC ± -												
ANGLES ± -												