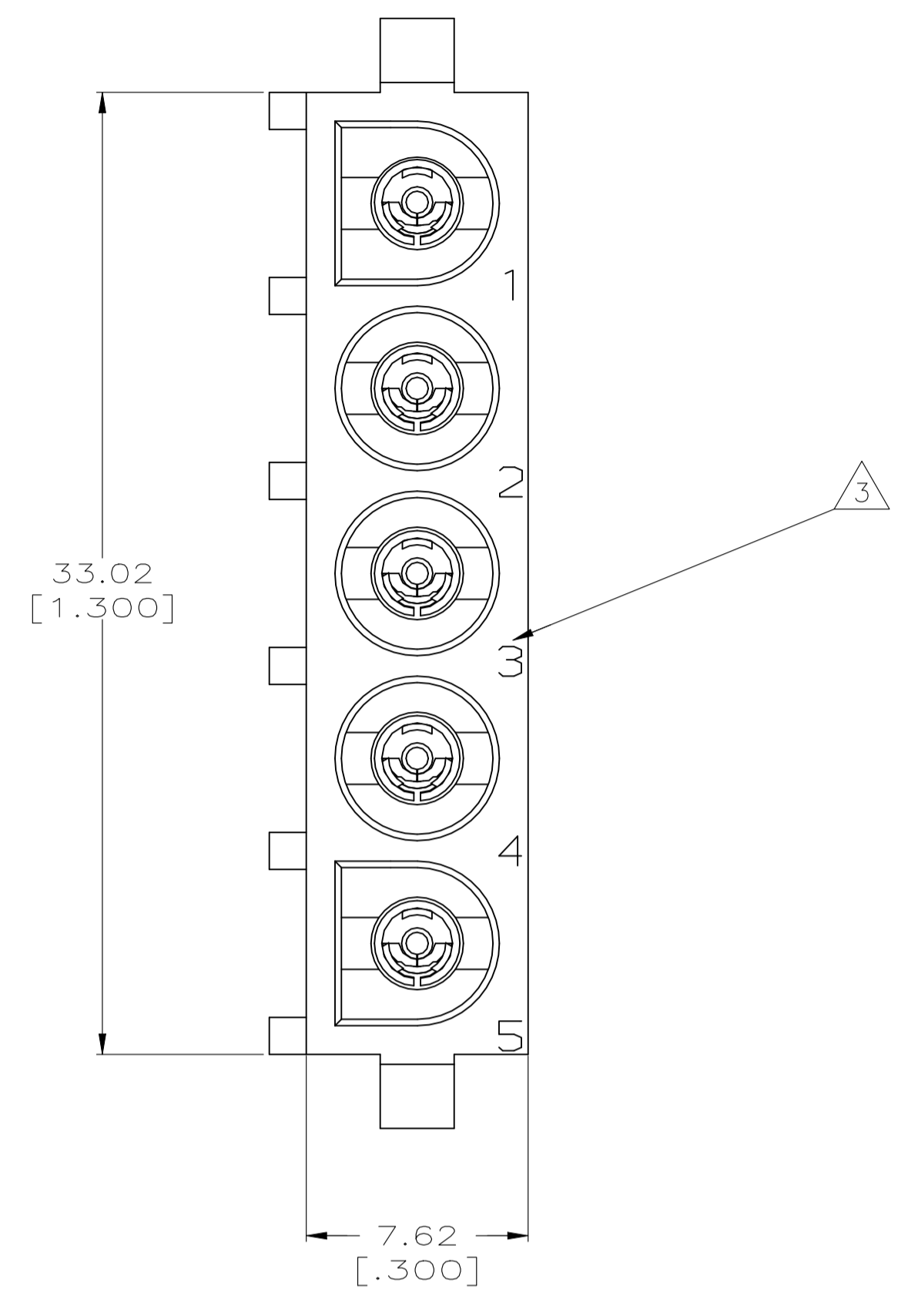
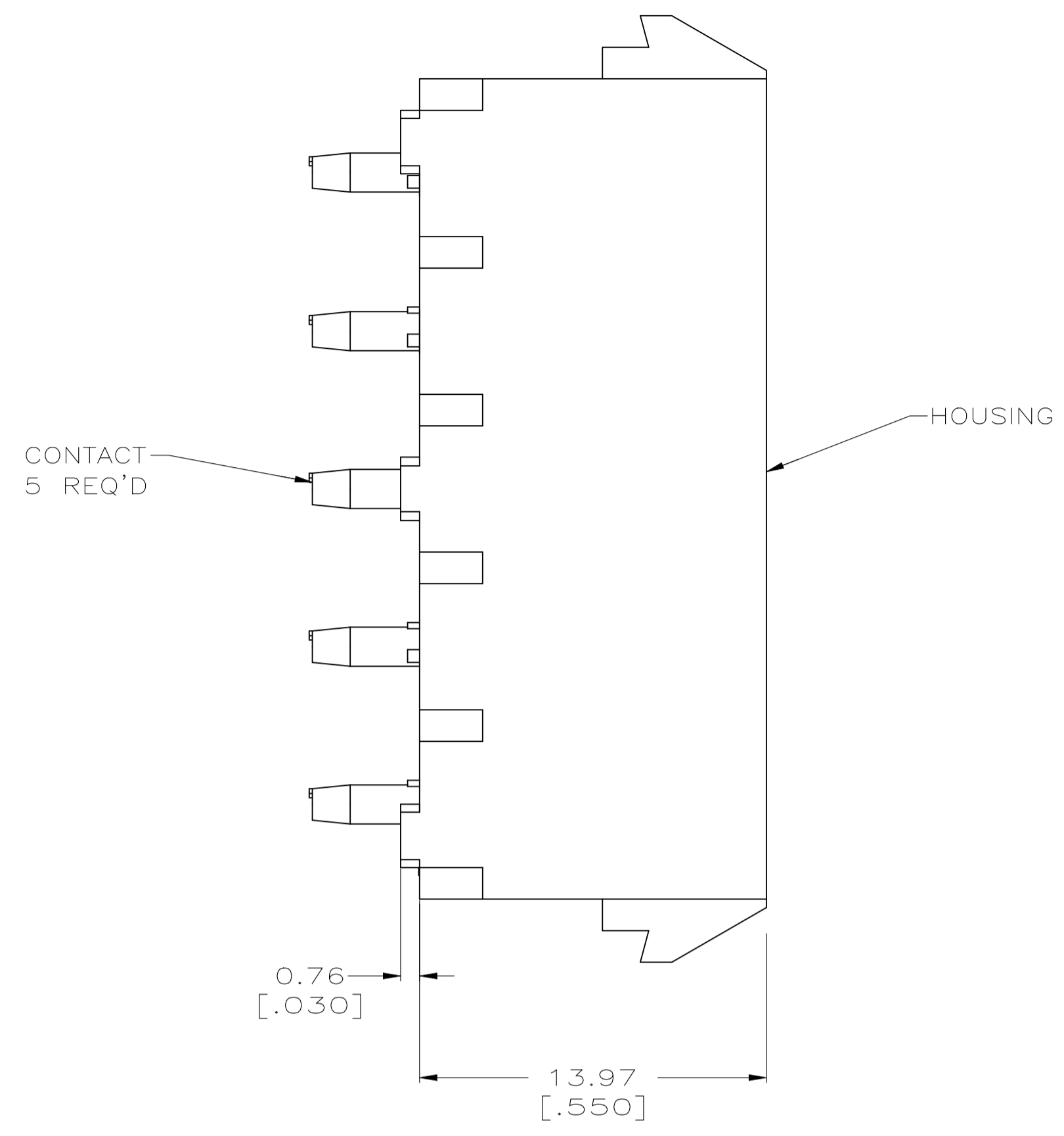
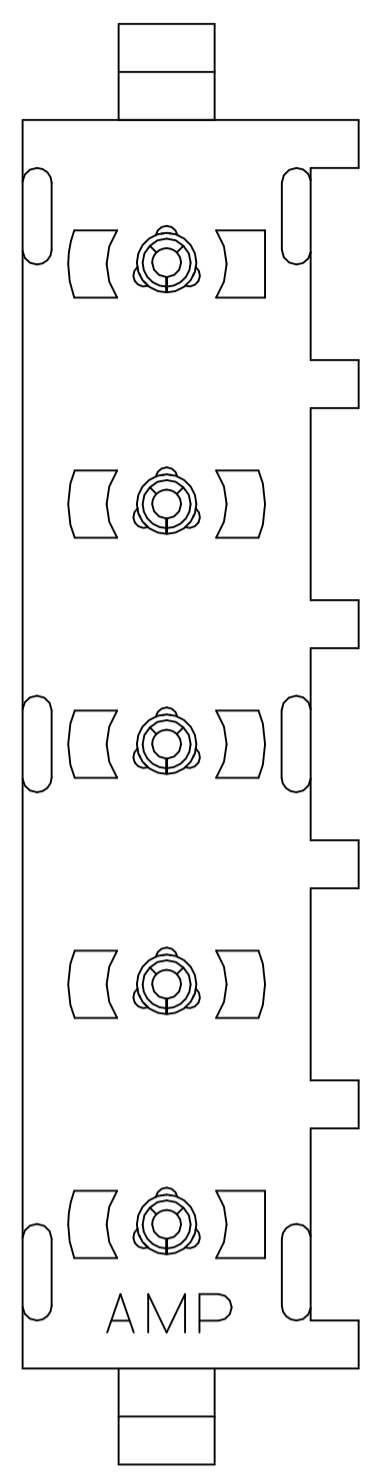
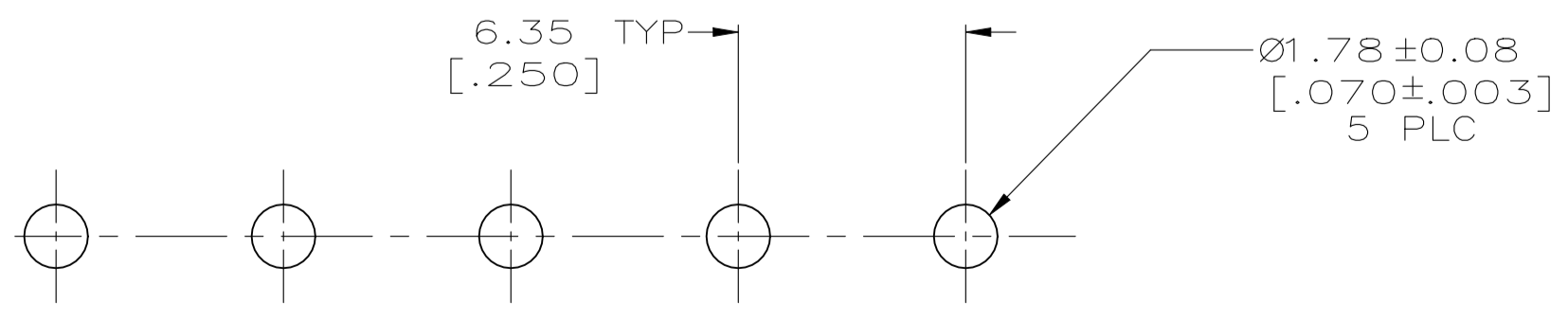
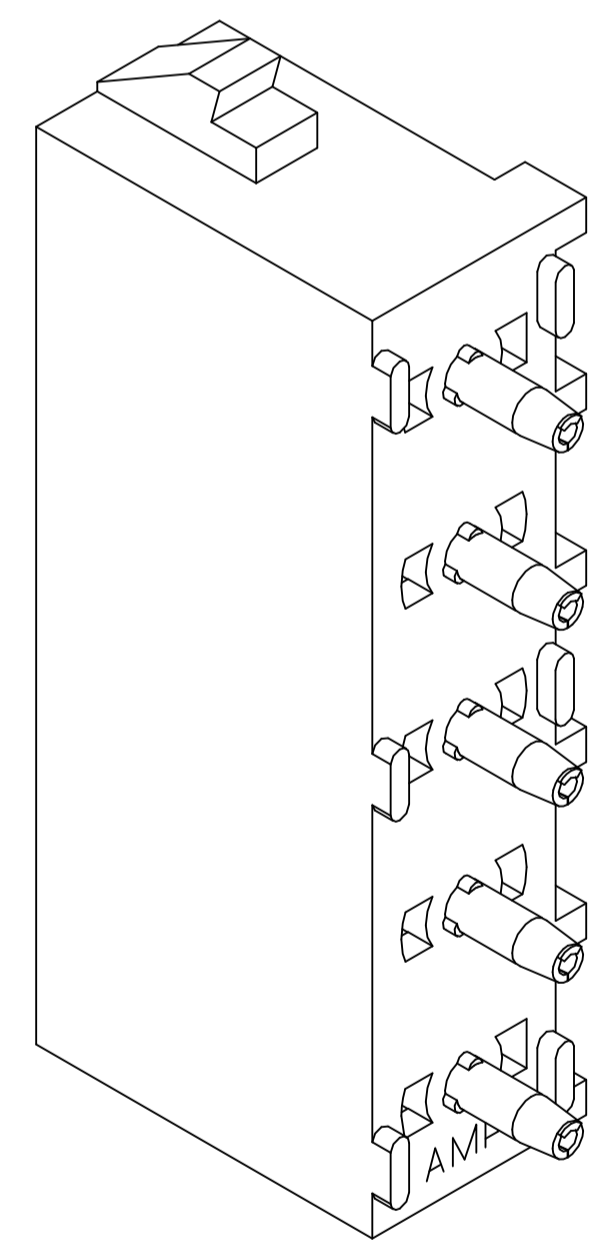
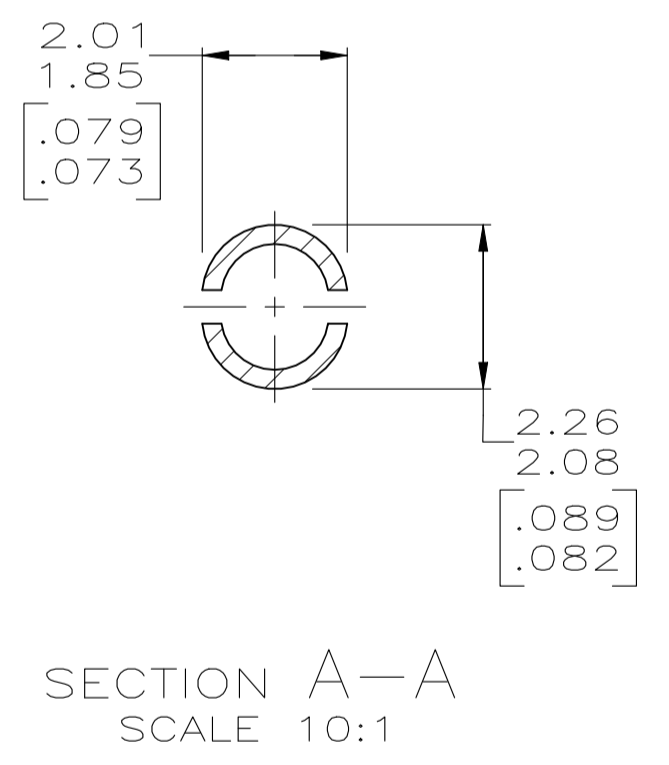
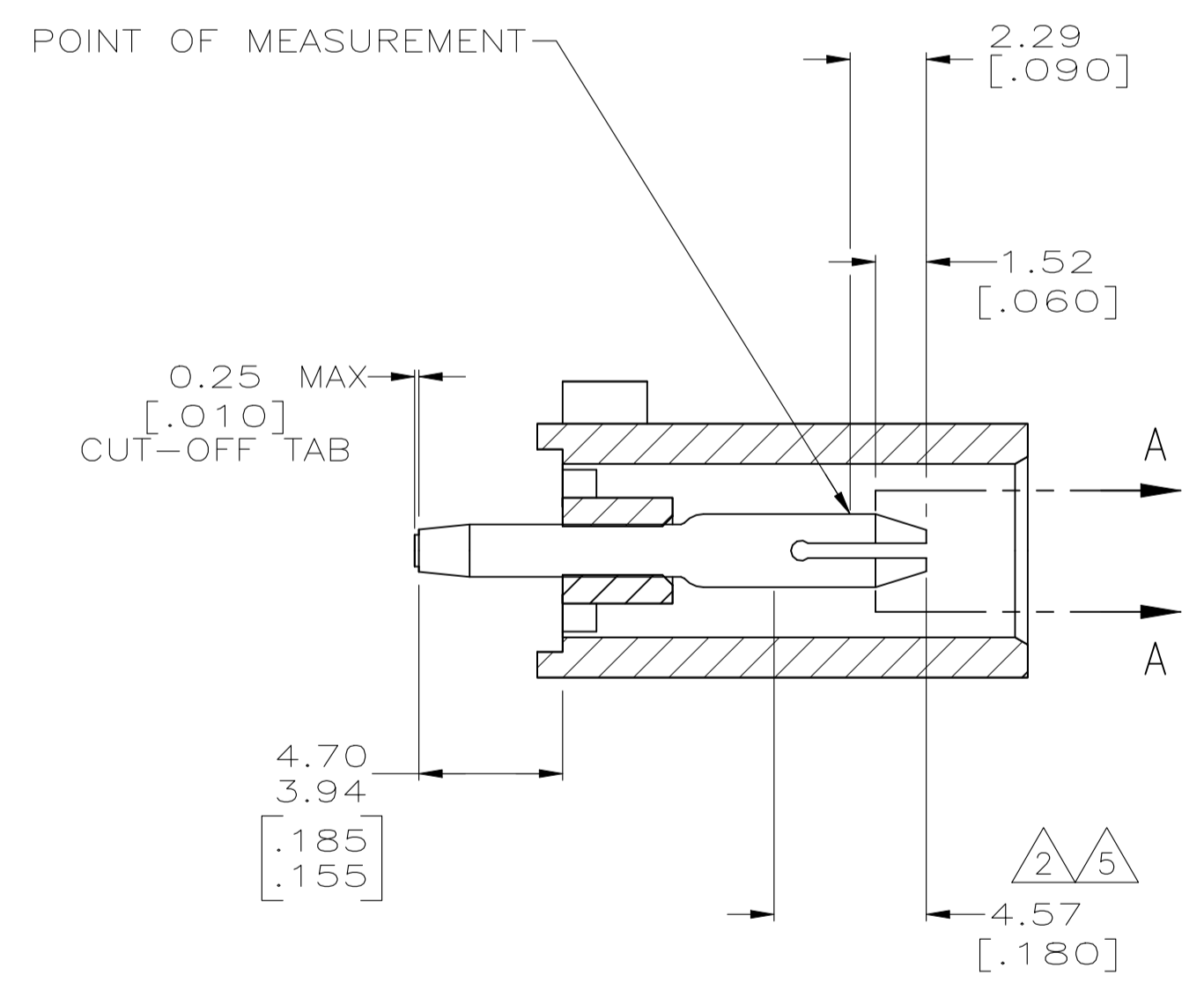


REVISIONS					
REV	DATE	DESCRIPTION	BY	CHK	APP'D
M2	22JUL2022	REVISED PER ECR-21-118222	AVN	VS	



- 1 PARTS COMPLY TO AMP SOLDERABILITY SPECIFICATION 109-11-3.
- 2 CONTACT IS PLATED OVERALL WITH 0.00127 [.000050] NICKEL, THEN 0.00076 [.000030] GOLD OVER CONTACT LENGTH INDICATED AND MATTE TIN LEAD ON SOLDER TAIL END.
- 3 CIRCUIT IDENTIFICATION CHARACTERS ARE ADJACENT TO THE INDICATED CAVITIES, BUT LOCATION AND ORIENTATION MAY DIFFER FROM PRINT.
- 4 DIMENSIONS IN BRACKETS ARE IN INCHES.
- 5 CONTACT IS PLATED OVERALL WITH 0.00127 [.000050] NICKEL, THEN 0.00076 [.000030] GOLD OVER CONTACT LENGTH INDICATED AND MATTE TIN ON SOLDER TAIL END.
- 6 SUPERSEDED BY 640466-3
- 7 DIMENSIONS SHOWN REPRESENT PRODUCT IN DRY CONDITION. ADDITIONAL 2% GROWTH DUE TO END USE LOCATION MOISTURE ABSORPTION MAY OCCUR AND SHOULD BE ACCOUNTED FOR.



PHOSPHOR BRONZE, GOLD	NYLON,UL94V-2,NATURAL	640466-3
PHOSPHOR BRONZE, GOLD	NYLON,UL94V-2,NATURAL	640466-2
PHOSPHOR BRONZE, PRE-TIN	NYLON,UL94V-2,NATURAL	640466-1
PIN CONTACT MATERIAL AND FINISH	HOUSING MATERIAL	PART NUMBER

THIS DRAWING IS A CONTROLLED DOCUMENT.		DIN 10-05-98	TE Connectivity	
DIMENSIONS: mm [INCHES]		10-05-98	PIN HEADER ASSEMBLY, 5 CIRCUIT UNIVERSAL MATE-N-LOK™	
TOLERANCES UNLESS OTHERWISE SPECIFIED:		10-05-98	SCALE 5:1 SHEET 1 OF 1 REV M2	
0 PLC ± -	1 PLC ± -	2 PLC ± 0.13 [.005]	CUSTOMER DRAWING	
3 PLC ± -	4 PLC ± -	ANGLES ± 0°30'	WEIGHT 0.000000	
MATERIAL SEE TABLE		FINISH SEE TABLE		SIZE CAGE CODE DRAWING NO. A1 00779 C=640466