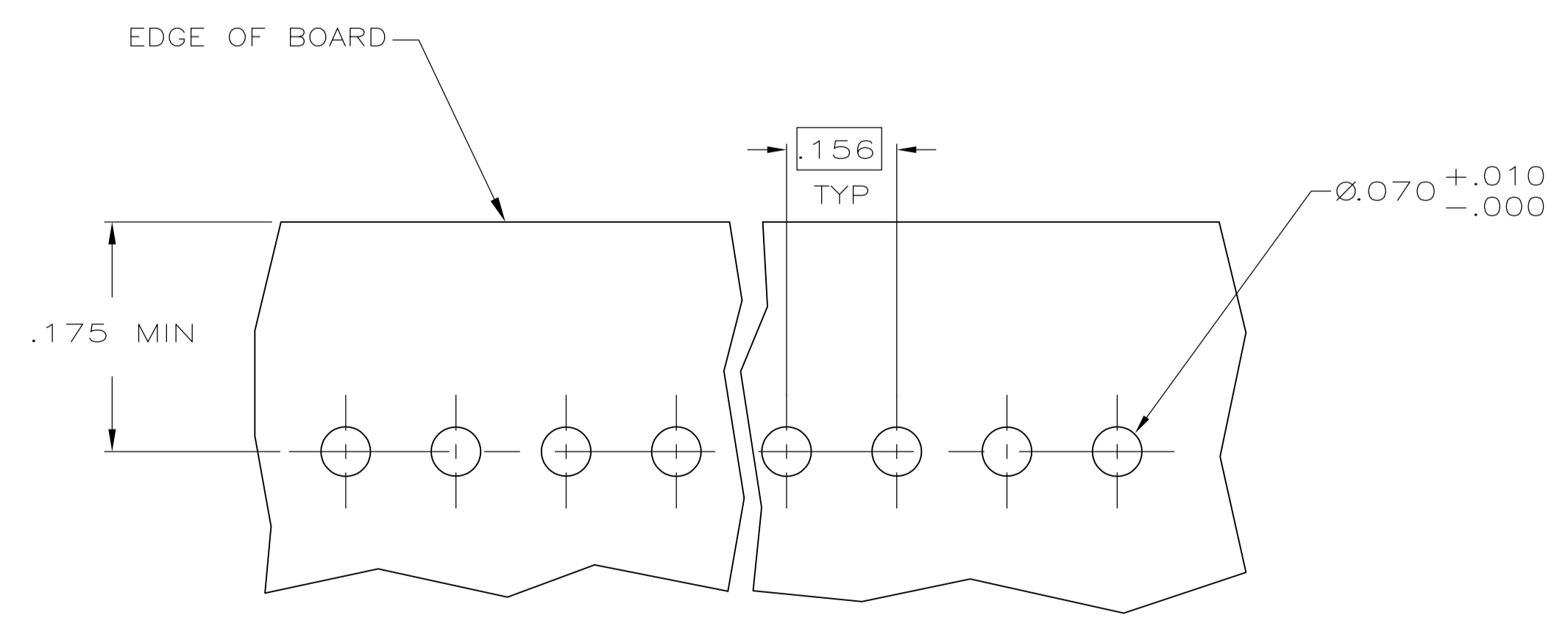
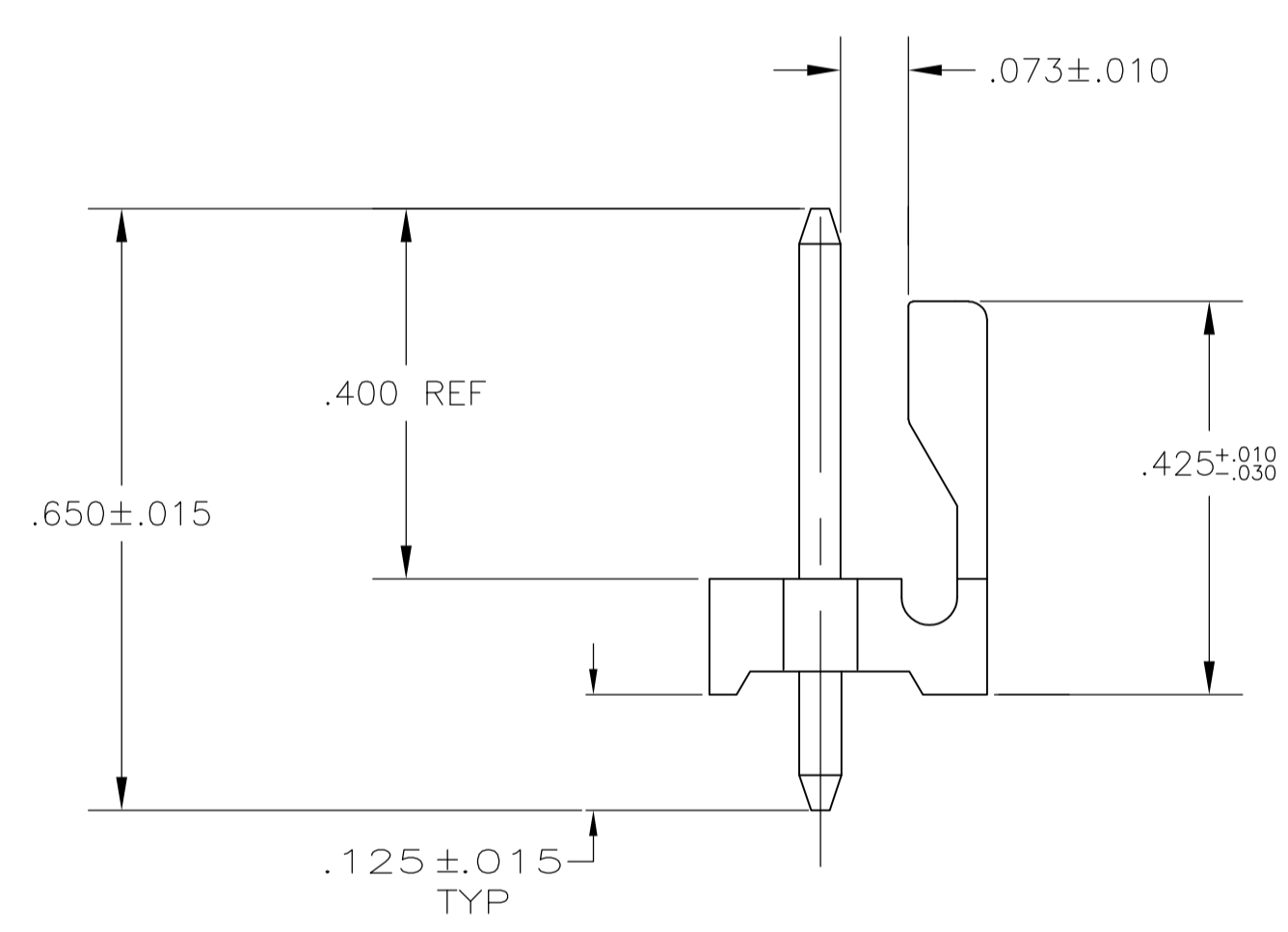
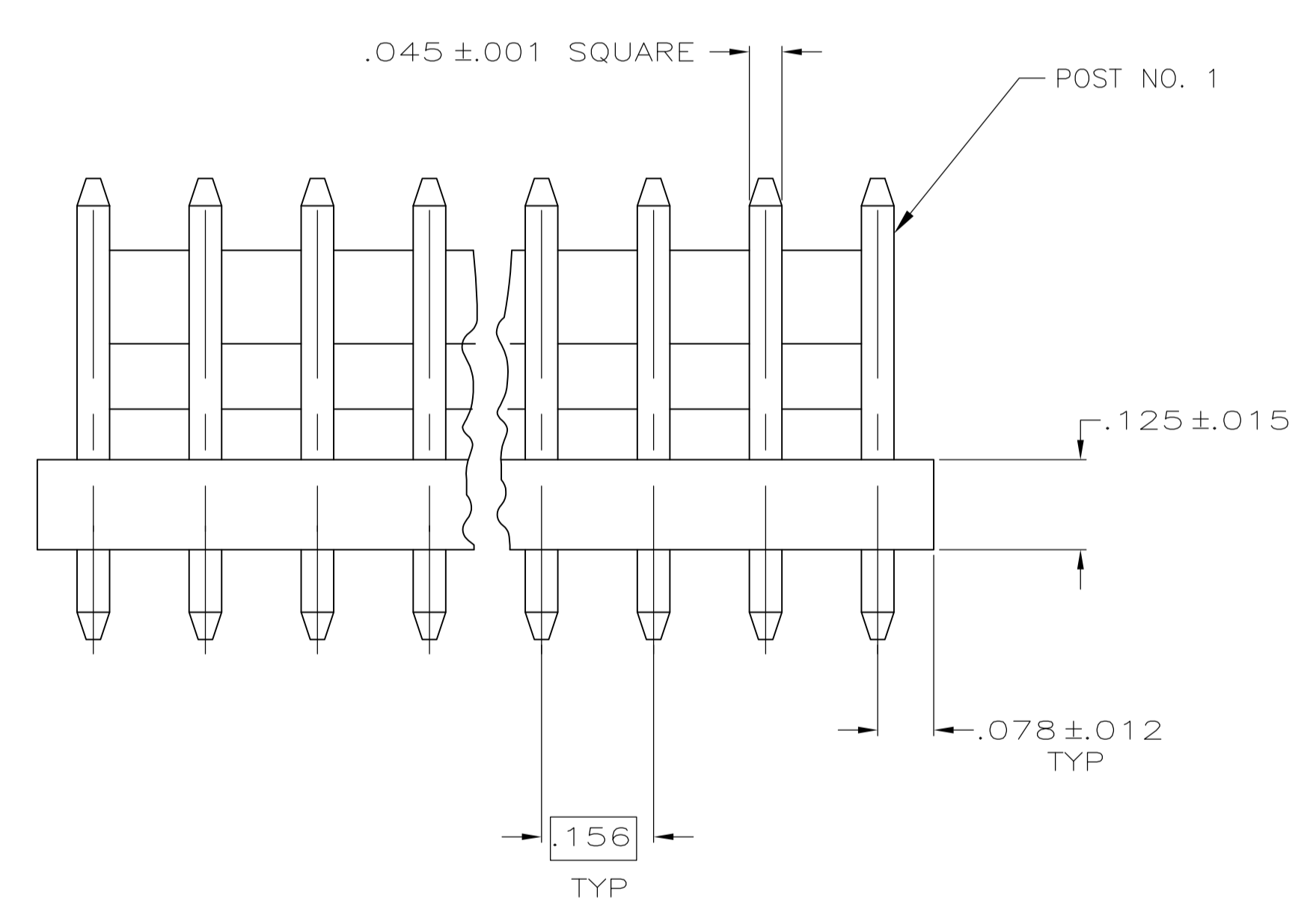
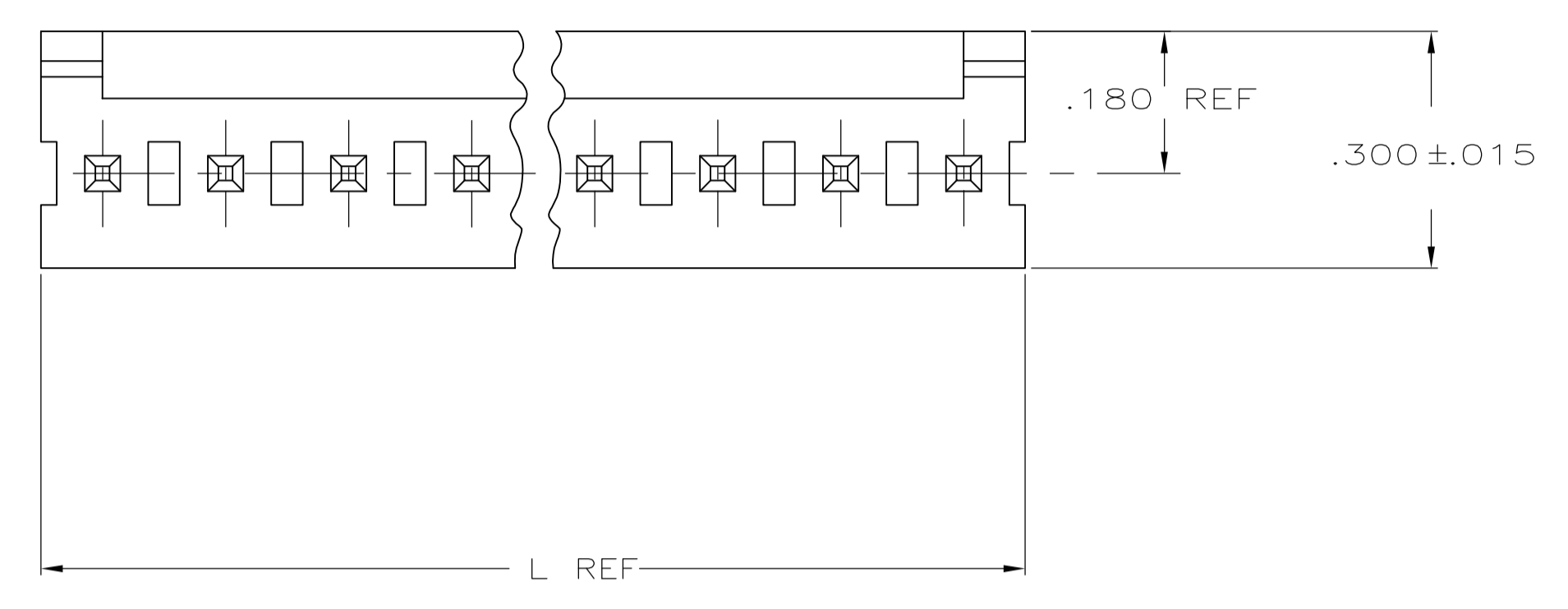


LOC	DIST	REVISIONS			
P	LTR	DESCRIPTION	DATE	DMN	APVD
AD6		REVISED PER ECR-21-101853	09APR2021	JP	VS
AD7		REVISED PER ECR-24-200474	25MAR2024	GK	JP

- 1 MATERIAL: HEADER-THERMOPLASTIC POLYESTER  
GLASS-FILLED 94V-0 (NATURAL)  
POST-COPPER ALLOY
- 2 FINISH: CONTACT-TIN PLATE
- 3 PARTS COMPLY WITH AMP SOLDERABILITY SPEC. NO. 109-11-12.
- 4 SPECIAL PACKAGING VARIATION FOR IMPROVED PRODUCT PROTECTION



RECOMMENDED MOUNTING HOLE PATTERN FOR .063 THICK P.C. BOARD

POS. 2	MM	[IN]	NUMBER OF POSITIONS	PART NUMBER
	39.62	1.560	10	3-640445-1
	31.70	1.248	8	3-640445-8
	95.10	3.744	24	2-640445-4
	91.14	3.588	23	2-640445-3
	87.17	3.432	22	2-640445-2
	83.21	3.276	21	2-640445-1
	79.25	3.120	20	2-640445-0
	75.29	2.964	19	1-640445-9
	71.32	2.808	18	1-640445-8
	67.36	2.652	17	1-640445-7
	63.40	2.496	16	1-640445-6
	59.44	2.340	15	1-640445-5
	55.47	2.184	14	1-640445-4
	51.51	2.028	13	1-640445-3
	47.55	1.872	12	1-640445-2
	43.59	1.716	11	1-640445-1
	39.62	1.560	10	1-640445-0
	35.66	1.404	9	640445-9
	31.70	1.248	8	640445-8
	27.74	1.092	7	640445-7
	23.77	.936	6	640445-6
	19.81	.780	5	640445-5
	15.85	.624	4	640445-4
	11.89	.468	3	640445-3
	7.92	.312	2	640445-2
OMIT POS.	MM	[IN]	NUMBER OF POSITIONS	PART NUMBER

THIS DRAWING IS A CONTROLLED DOCUMENT.

APPROVED: S. HOOVER (05-NOV-2002), D. BOSSI (05-NOV-2002), D. BOSSI (05-NOV-2002)

NAME: MTA-156 HEADER ASSEMBLY, FRICTION LOCK, STRAIGHT .045 SQUARE POST, TIN PLATED

SIZE: A1, CAGE CODE: 00779, DRAWING NO: 640445

SCALE: 5:1, SHEET: 1 of 1, REVISION: AD7