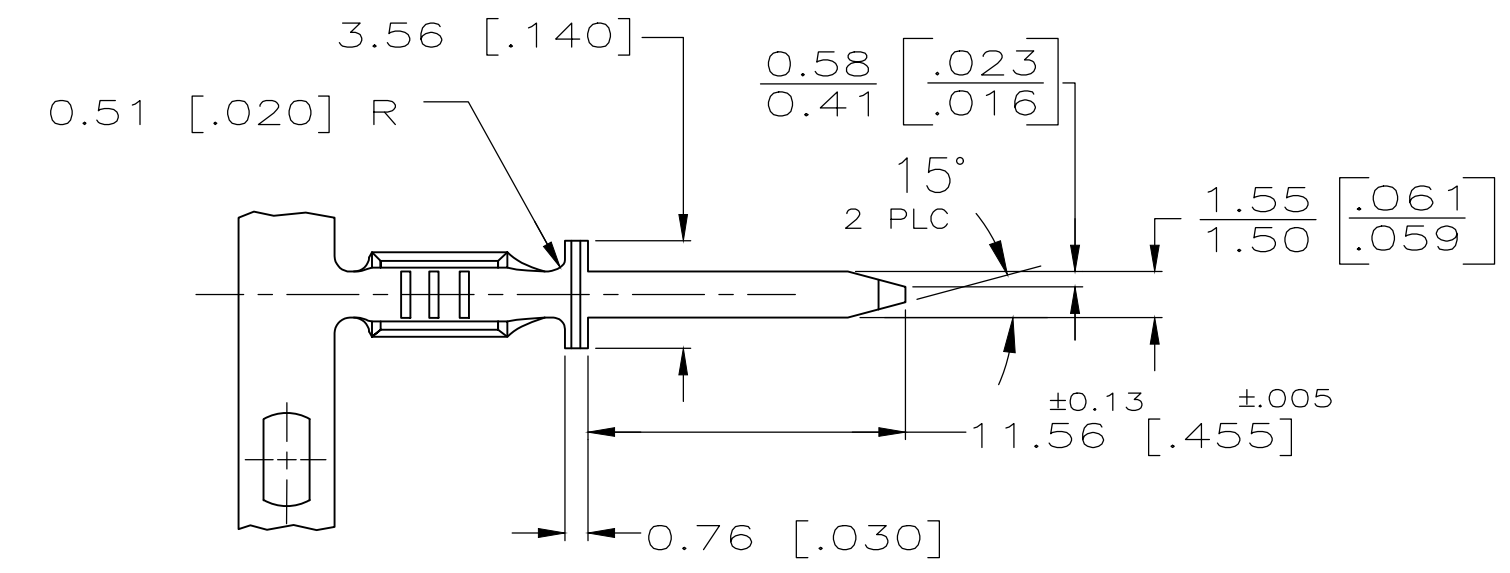


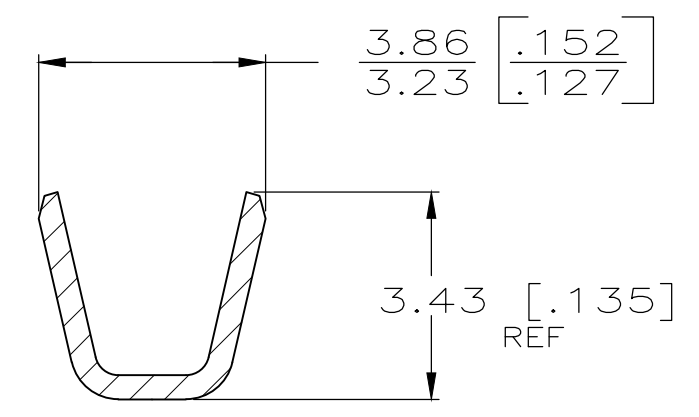
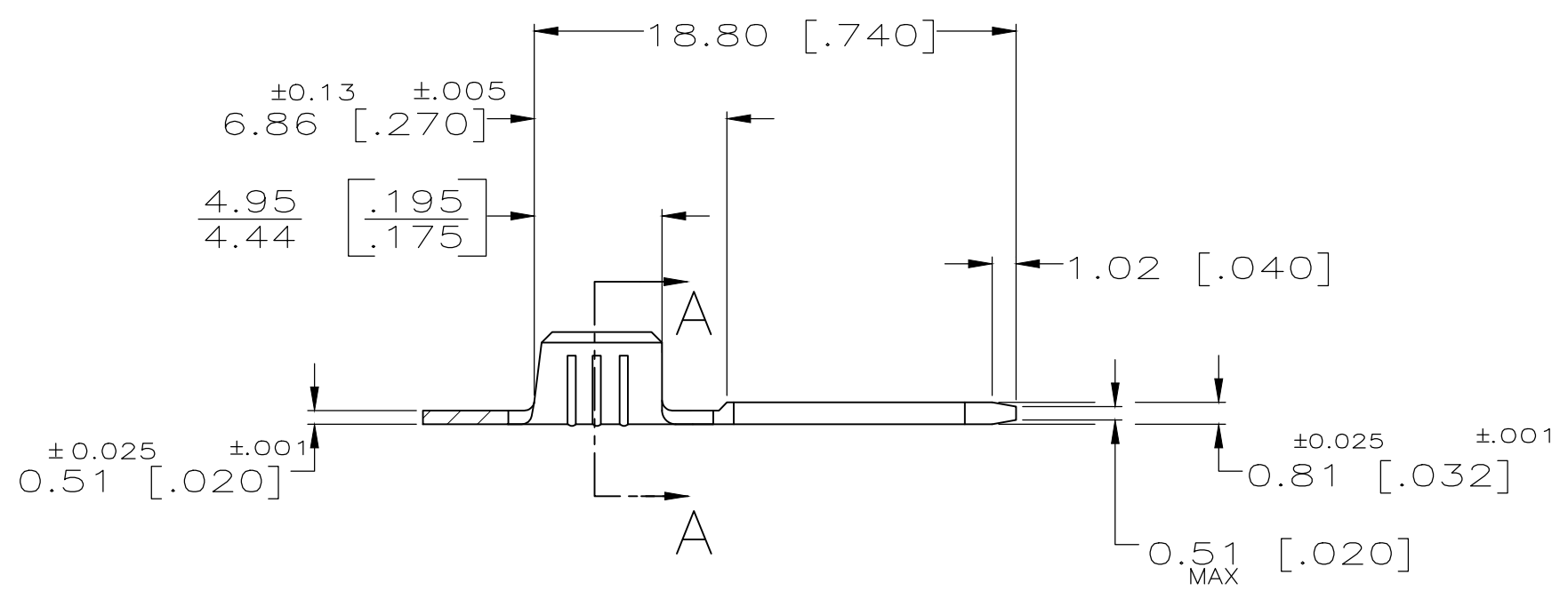
THIS DRAWING IS UNPUBLISHED. RELEASED FOR PUBLICATION
 © COPYRIGHT - By - ALL RIGHTS RESERVED.

| LOC | DIST | REVISIONS | | | | | |
|-----|------|-----------|-----|---------------------------|-----------|-----|------|
| AF | 50 | P | LTR | DESCRIPTION | DATE | DWN | APVD |
| | | C1 | | REVISED PER ECR-19-018151 | 12NOV2020 | AA | EW |



- 1 CONTINUOUS STRIP ON REELS
- 2 ACCEPTS WIRE SIZES [#22-#16] AWG.

OBSOLETE



SECTION A-A
SCALE 10:1

OBSOLETE -63893-1-
PART NO

| | | | | |
|----------------------------------|------|----------------|------------------------|------|
| 5.59 [.220] | F | 2.79 [.110] | 1.75 [.069] | 16 |
| | | | 1.60 [.063] | 18 |
| | | | 1.52 [.060] | 20 |
| | | | 1.47 [.058] | 22 |
| STRIP LENGTH ±0.38 [±.015] | TYPE | WIDTH | ±0.51 [.002] HEIGHT | WIRE |
| WIRE BARREL CRIMP | | | | |

| | |
|--|--|
| THIS DRAWING IS A CONTROLLED DOCUMENT. | |
| DIMENSIONS: INCHES | TOLERANCES UNLESS OTHERWISE SPECIFIED: |
| | 0 PLC ± - |
| | 1 PLC ± - |
| | 2 PLC ± 0.25 [.010] |
| | 3 PLC ± - |
| | 4 PLC ± - |
| | ANGLES ± - |
| MATERIAL BRASS | FINISH TIN |

| | | | | |
|------------------------------|----------------------------|--------------|-----------------|---------------|
| DWN JR RUTH 3/1/96 | STE TE Connectivity | | | |
| CHK P FORTNEY 3/1/96 | | | | |
| APVD P DESANTIS 3/1/96 | NAME | | | |
| PRODUCT SPEC - | TAB, FASTON | | | |
| APPLICATION SPEC - | SIZE | CAGE CODE | DRAWING NO | RESTRICTED TO |
| WEIGHT - | A3 | 00779 | C-63893 | - |
| CUSTOMER DRAWING | | SCALE 4:1 | SHEET 1 OF 1 | REV C1 |