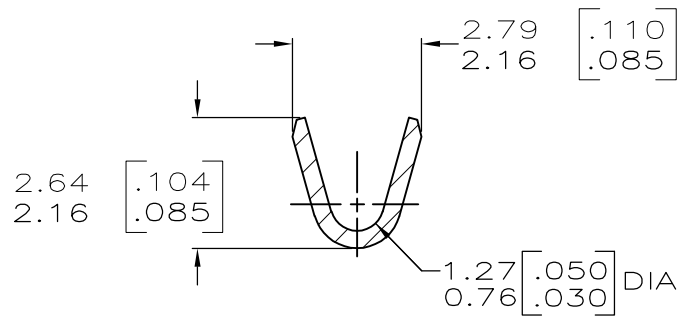
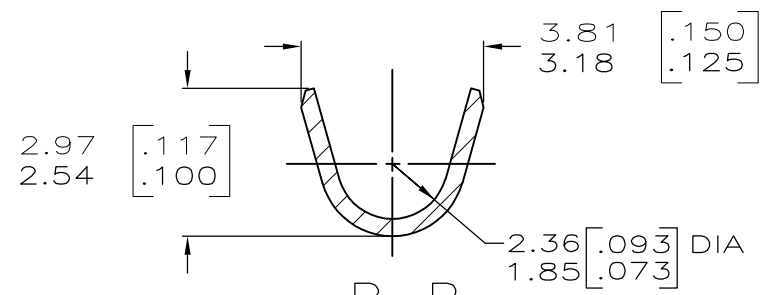


P	LTR	DESCRIPTION	DATE	DWN	APVD
	C1	ECR-13-017177	05NOV13	PKS	RRP

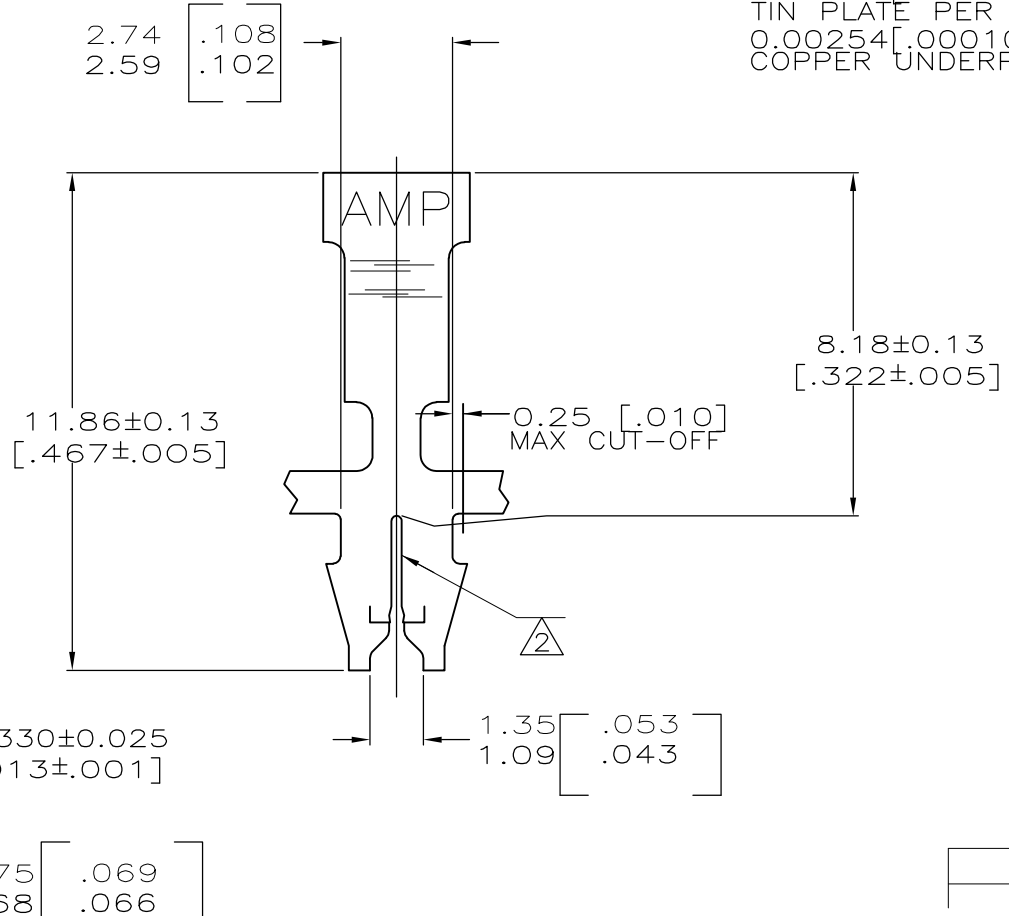
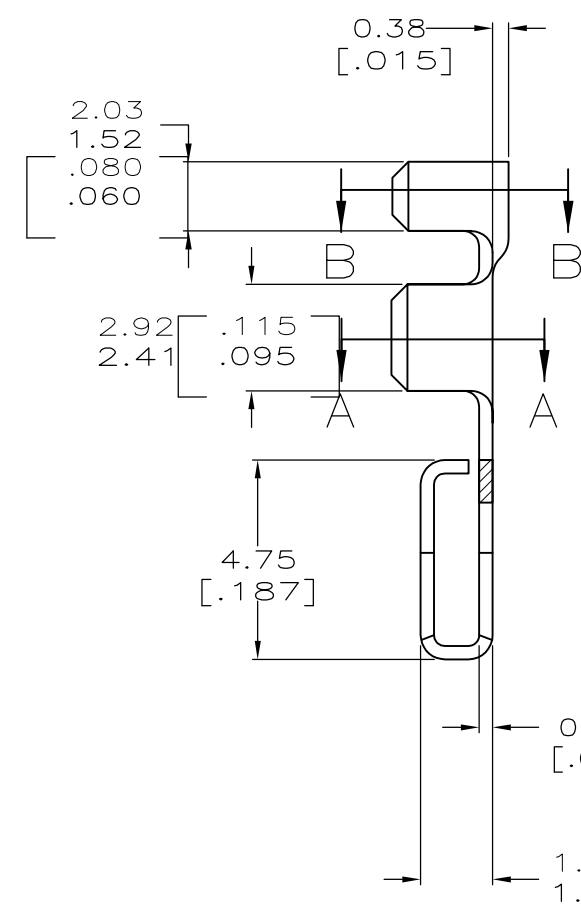
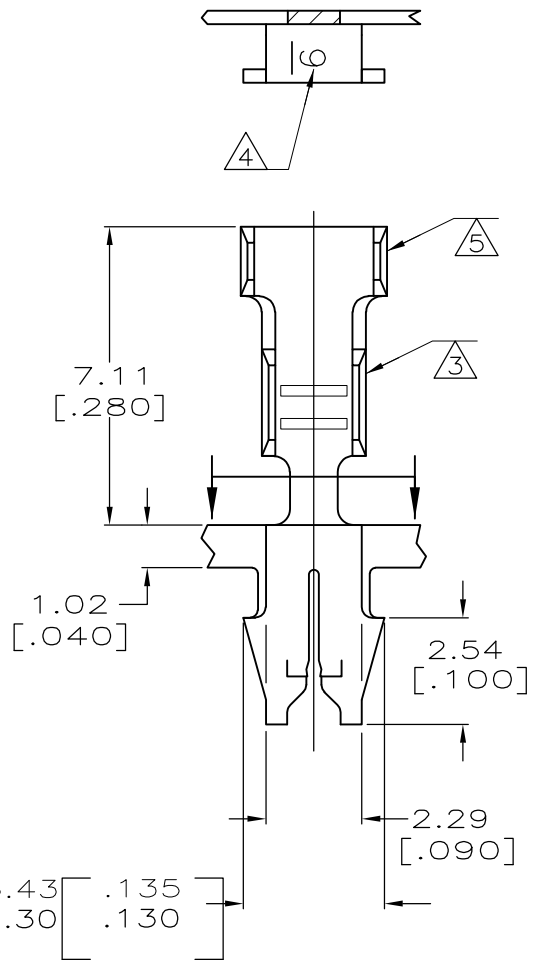


SECTION A-A
ROTATED 90° CW
SCALE 10:1



SECTION B-B
ROTATED 90° CW
SCALE 10:1

- 1 CONTINUOUS STRIP ON REELS (NO SPLICES) WITH TERMINALS LOCATED ON 8.38±0.08 [.330±.003] CENTERS.
- 2 SLOT ACCEPTS 0.36-0.45mm [#27-#25] AWG COPPER MAGNET WIRE 2 WIRES MAX OF THE SAME SIZE PER SLOT.
- 3 WIRE BARREL ACCEPTS 0.3-1.0mm² [#22-#18] AWG LEAD WIRE.
- 4 IDENTIFICATION NUMBER 9 FOR WIRE SLOT SIZE.
- 5 INSULATION BARREL ACCEPTS 1.80-2.23 [.071-.088] DIA INSULATION.
- 6 0.00203[.000080]-0.00381[.000150] TIN PLATE PER MIL-T-10727 OVER 0.00254[.000100]-0.00508[.000200] COPPER UNDERPLATE PER MIL-C-14550.



REVERSE	63856-2
STANDARD	63856-1

TYPE	WIDTH	STRIP LENGTH ±.015	TYPE	WIDTH	±.051[±.002] HEIGHT	WIRE
INSUL BARREL CRIMP	2.79 [.110]	3.56 [.140]	F	1.78 [.070]	1.08 [.043]	0.4mm[.22]
					1.18 [.047]	0.5mm[.20]
					1.32 [.052]	0.8mm[.18]
			WIRE BARREL CRIMP			

THIS DRAWING IS A CONTROLLED DOCUMENT.

DWN 07/JUN/95
MICHAEL S. FEHER
CHK 08/JUN/95
JEFF R. RUTH
APVD -



DIMENSIONS: mm	TOLERANCES UNLESS OTHERWISE SPECIFIED:
	0 PLC ± -
	1 PLC ± -
	2 PLC ± 0.13 [.005]
	3 PLC ± -
	4 PLC ± -
	ANGLES ± -

PRODUCT SPEC 108-2012
APPLICATION SPEC 114-2069
WEIGHT -

NAME			
TERMINAL, F-CRIMP, MAG-MATE™			
SIZE	CAGE CODE	DRAWING NO	RESTRICTED TO
A3	00779	C-63856	-

MATERIAL BRASS
FINISH 6

CUSTOMER DRAWING SCALE 8:1 SHEET 1 OF 1 REV C1