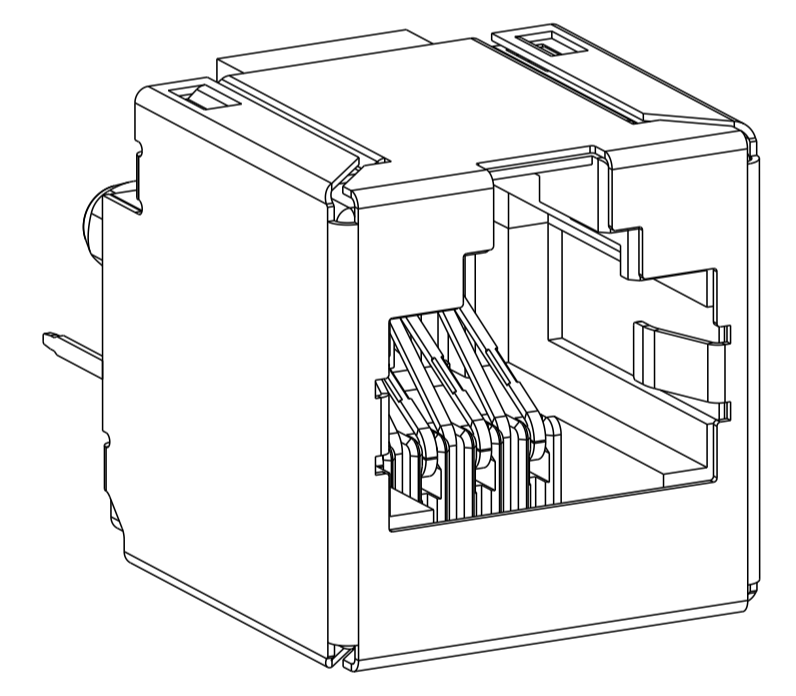
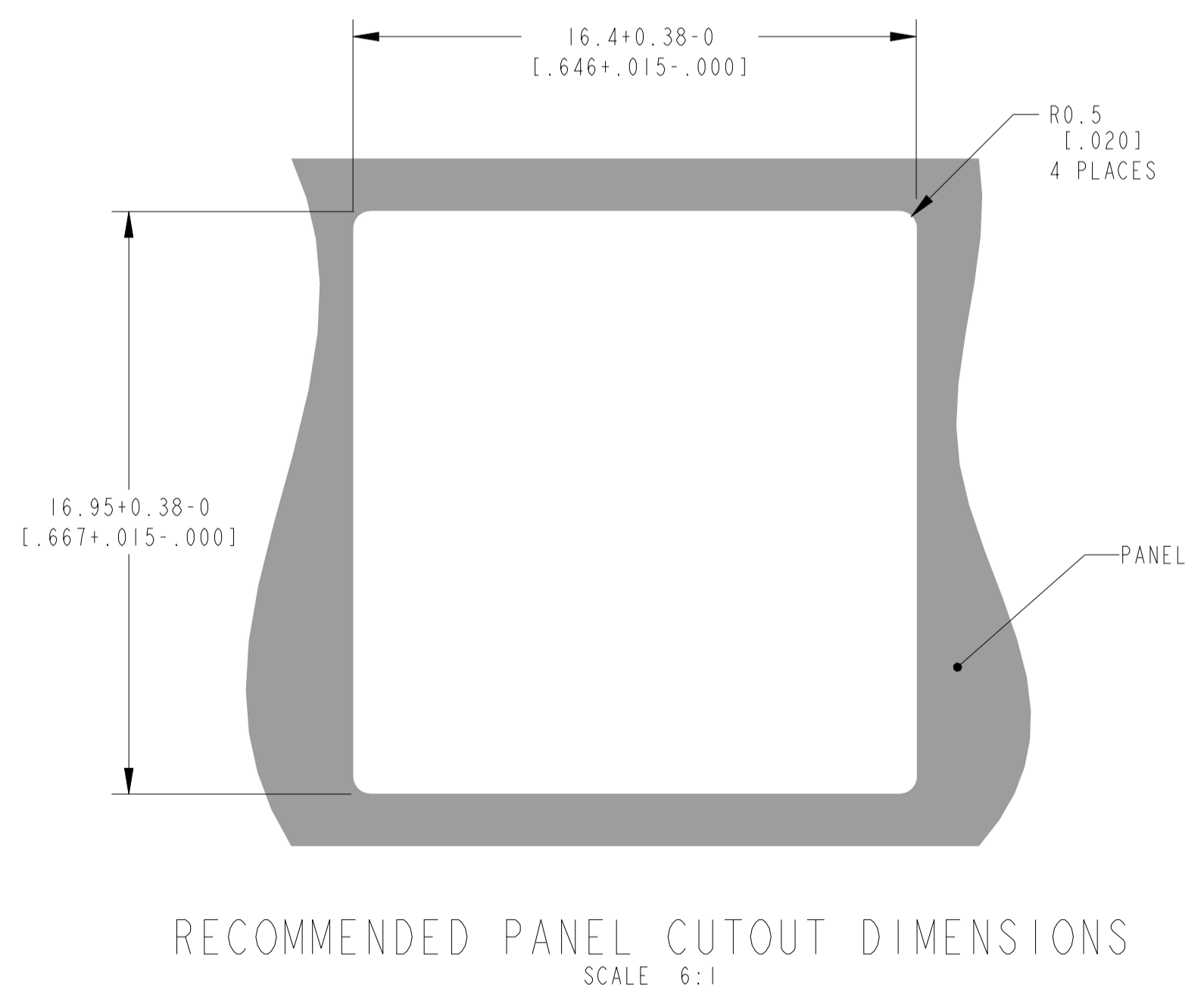
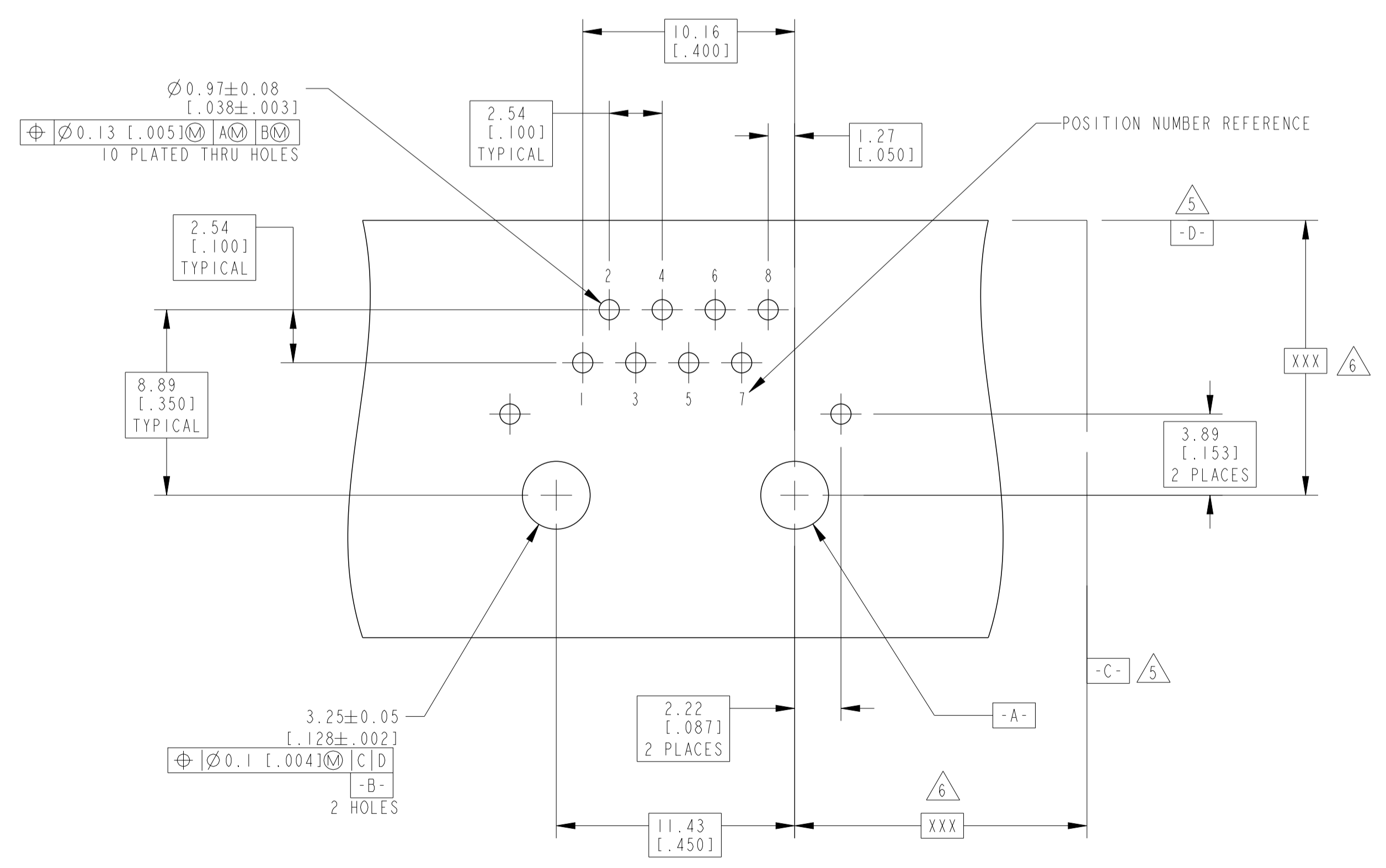
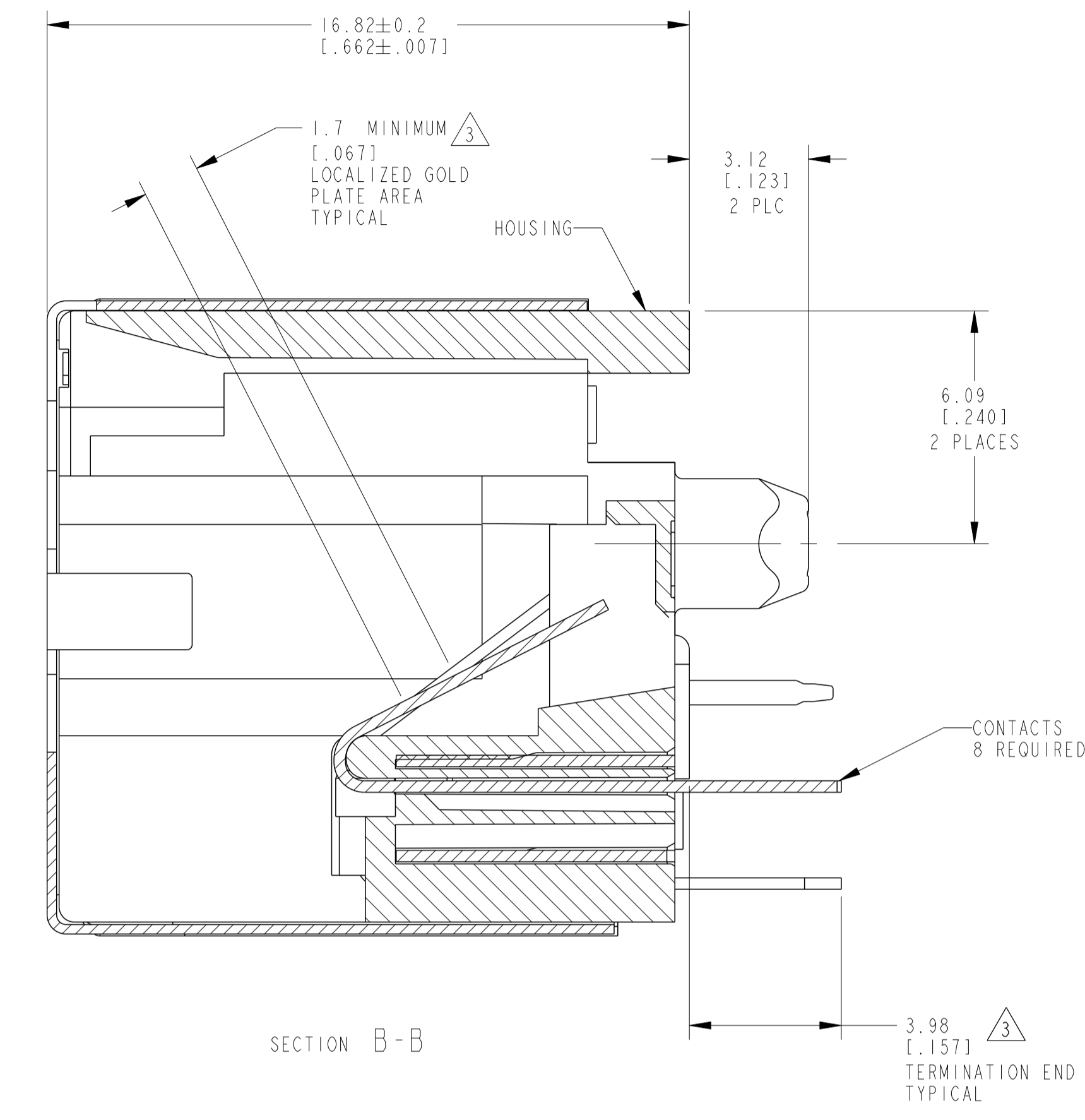
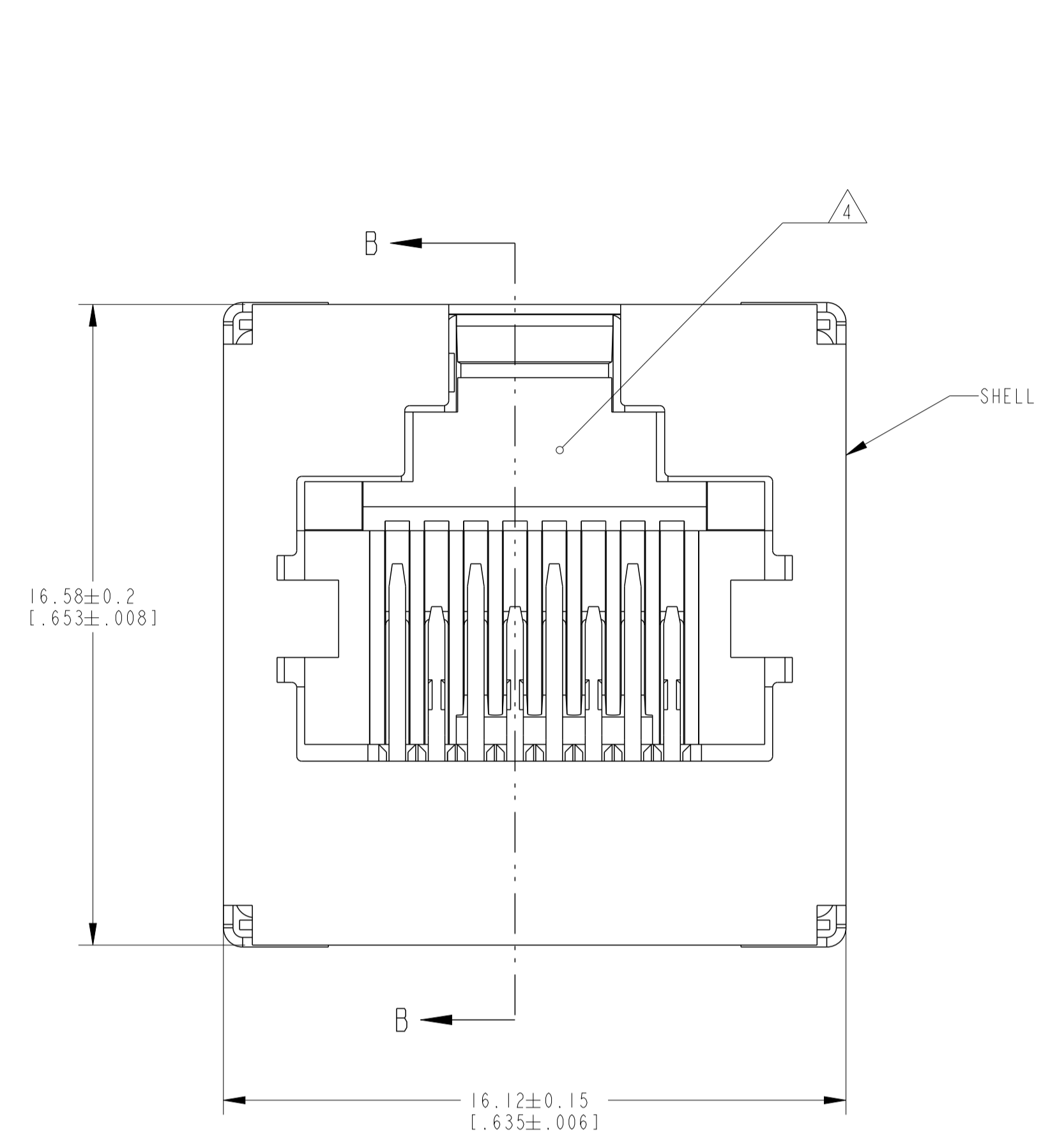


LOC	DIST	REVISIONS			
		REV	DATE	BY	CHKD
AA	22	D	ECO-17-018697	15JAN2018	LL SH
		E	ECO-18-005131	04APR2018	LL SH
		E1	REVISED AS PER ECR-23-169440	20APR2023	JK WH
		E2	REVISED AS PER ECR-23-181524	18JUL2023	JK JK

- 1 THERMOPLASTIC, COLOR-BLACK
- 2 PHOSPHOR BRONZE
- 3 1.27µm(.000050) MIN GOLD IN LOCALIZED GOLD PLATE AREA, 2µm(.000079) MIN MATTE TIN ON TERMINATION END, BOTH OVER 1.27µm(.000050) MIN NICKEL
- 4 CAVITY CONFORMS TO FCC 47 CFR 68 PART F
- 5 DATUMS ESTABLISHED BY CUSTOMER
- 6 DIMENSIONS ESTABLISHED BY CUSTOMER
- 7 COPPER ZINC ALLOY
- 8 PREPLATED WITH 1.27µm(.000050) MIN THICK NICKEL AND HOT TIN DIP ON PCB GROUND TABS
- 9 WITH IMPROVED CHAFMERS ON TERMINAL EDGES.
- 10 WITHOUT COMPENSATORY PLATE
- 11 LOOSE PIECE PN
- 12 1.27µm(.000050) MIN NICKEL PLATED OVERALL AND 2.03µm(.000080) MIN THICK HOT DIP TIN ON PCB GROUND TABS.
- 13 IR REFLOW PROCESS COMPATIBLE.
- 14 PACKED WITH TAPE/REEL.



SCALE 4:1

RECOMMENDED PRINTED CIRCUIT BOARD LAYOUT  
 RECOMMENDED PRINTED CIRCUIT BOARD THICKNESS 1.4(.055) MIN  
 COMPONENT SIDE OF PRINTED CIRCUIT BOARD

RECOMMENDED PANEL CUTOUT DIMENSIONS  
 SCALE 6:1

SHELL PLATING	DESCRIPTION	COLOR	PART NUMBER
2, 9, 13, 14	BLACK	BLACK	6368150-5
8, 9, 10, 11	NATURAL	NATURAL	6368150-4
8, 9, 10	NATURAL	NATURAL	6368150-3
8, 9	NATURAL	NATURAL	6368150-2
8	NORMAL	BLACK	6368150-1

THIS DRAWING IS A CONTROLLED DOCUMENT. DWN: V. SLACK/L. A. WALTER 13JUNE2005  
 CHK: J. WESTMAN 13JUNE2005  
 APVD: S. FLICKINGER 13JUNE2005

DIMENSIONS: mm [INCHES]  
 TOLERANCES UNLESS OTHERWISE SPECIFIED:  
 0 PLC ±.3 [.012]  
 1 PLC ±0.13 [.0051]  
 2 PLC ±.13 [.0051]  
 3 PLC ±.13 [.0051]  
 4 PLC ±.13 [.0051]  
 ANGLES ±.13 [.0051]

MATERIAL: HOUSING: 1 FINISH: SHELL: 8 CONTACTS: 3 SHELL: 1 CONTACT: 3

WEIGHT: 114-2158  
 CUSTOMER DRAWING

NAME: MODULAR JACK ASSEMBLY, VERTICAL, THRU HOLE, SHIELDED, 8 POSITION  
 APPLICATION SPEC: 108-1163-6  
 SIZE: 114-2158  
 CAGE CODE: 00779  
 DRAWING NO: 6368150  
 SHEET 1 OF 1  
 REV: E2

SCALE 5:1