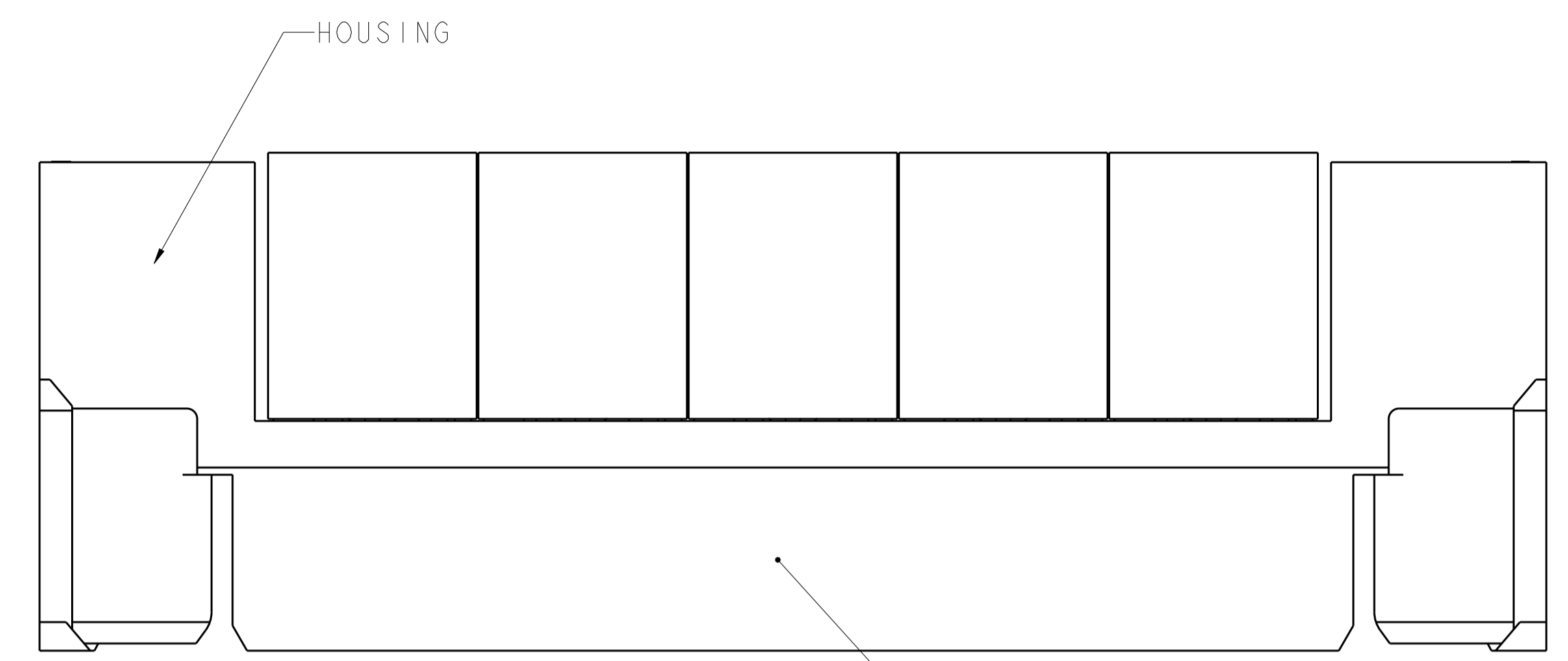
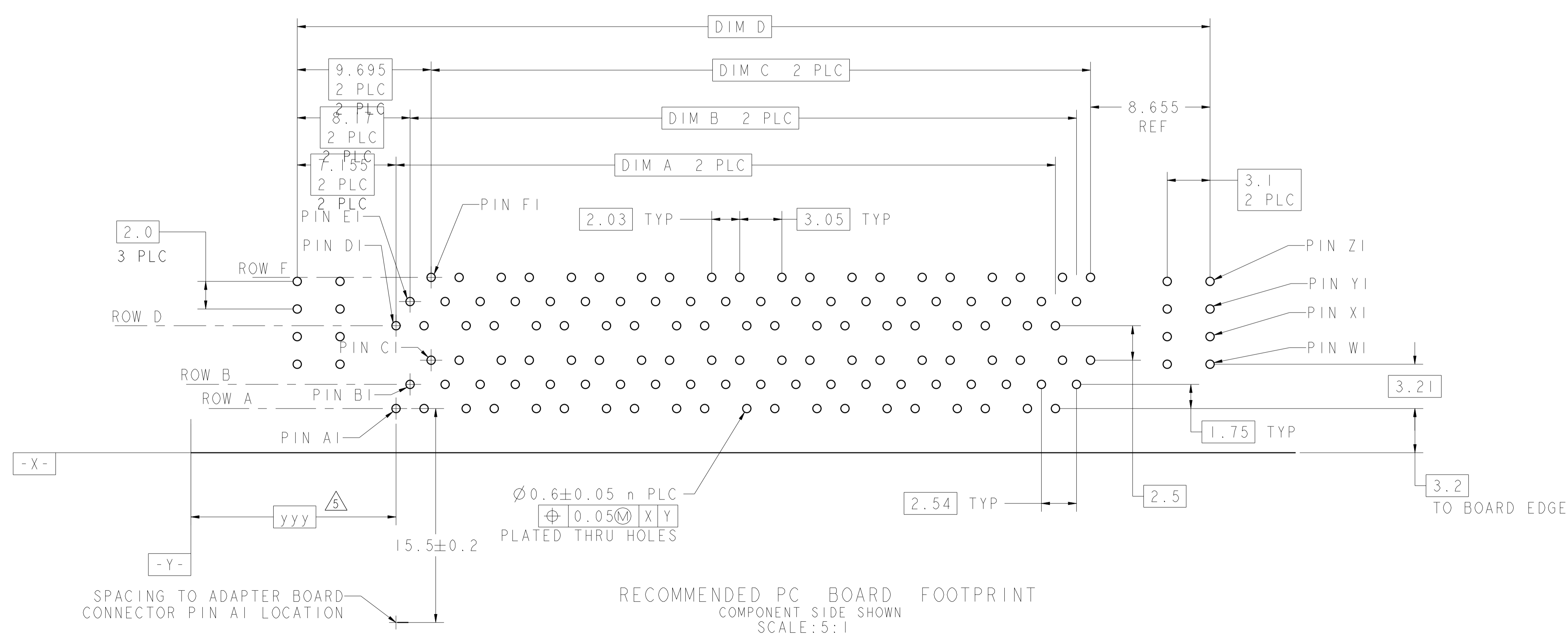
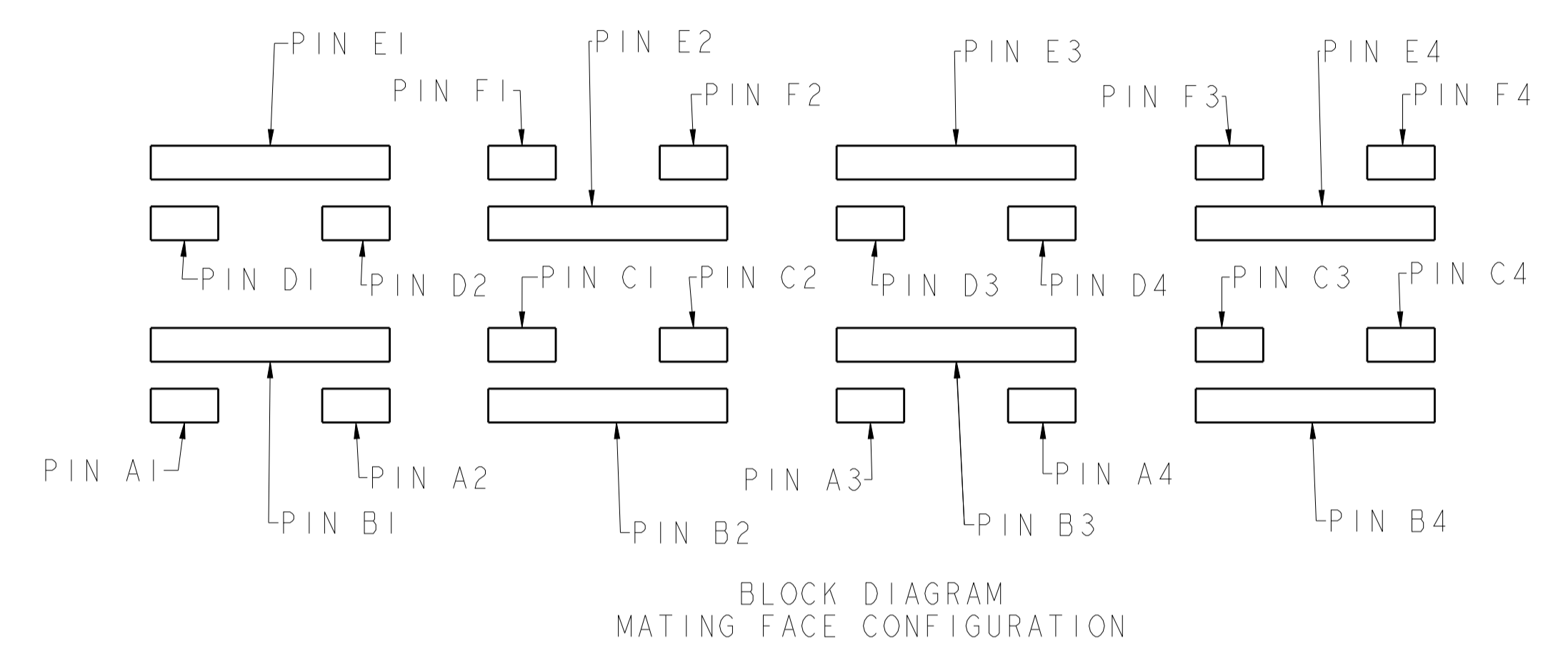
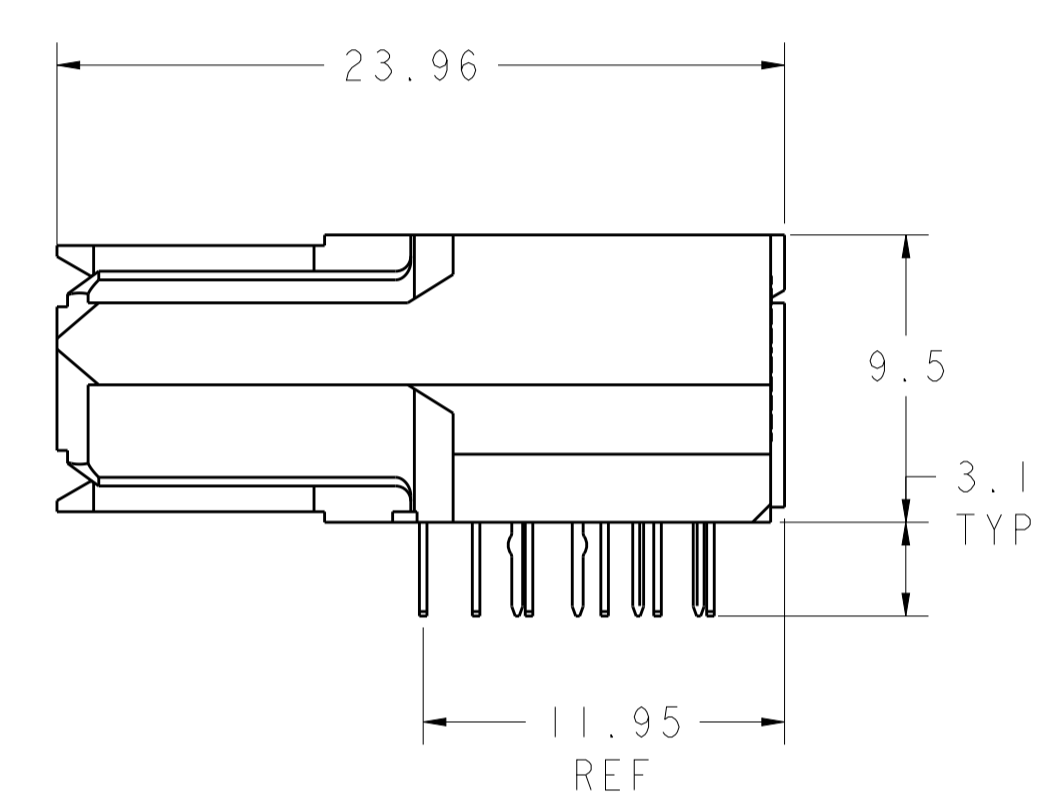
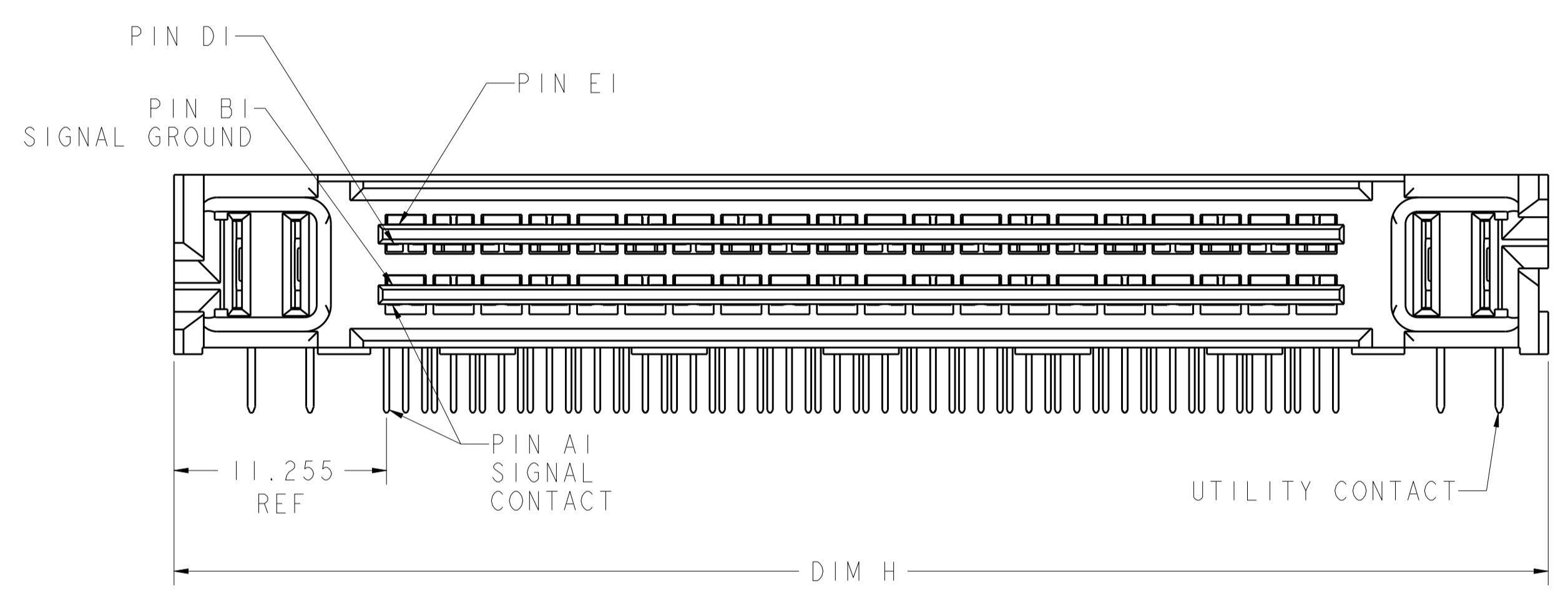


REVISIONS				
P.	LTN.	DESCRIPTION	DATE	APVD.
B		REVISED PER ECO-10-012356	14DEC2010	CJV EJB
C		ECO-15-006497	13APR2016	LL SH



- △ HOUSINGS; POLYESTER, UL 94 V-0 RATED, NATURAL
 SIGNAL AND SIGNAL GROUND CONTACTS: COPPER ALLOY
 UTILITY CONTACTS: PHOSPHOR BRONZE
- △ UTILITY CONTACTS: 0.76um MIN GOLD IN CONTACT AREA,
 2.54um MIN TIN ON PCB TAILS, OVER 1.27um MIN NICKEL OVER ALL.
 SIGNAL AND SIGNAL GROUND CONTACTS: 0.76um MIN GOLD IN CONTACT AREA,
 2.54um MIN TIN ON PCB TAILS, OVER 1.27um MIN NICKEL OVER ALL.
- 3. ROWS A, C, D, AND F ARE SIGNAL CONTACTS. ROWS B AND E ARE SIGNAL GROUND CONTACTS.
- △ CONNECTOR SIZE CAN ACCOMMODATE INDICATED QUANTITY OF DIFFERENTIAL PAIRS.
- △ DIMENSIONS PER CUSTOMER BOARD LAYOUT.
- △ COMPANY LOGO IN APPROXIMATE AREA SHOWN.
- △ OBSOLETE PART.



△	232	113.44	106.74	88.90	88.39	72	6367580-9
△	208	103.28	96.58	78.74	78.23	64	6367580-8
△	184	93.12	86.42	68.58	68.07	56	6367580-7
△	160	82.96	76.26	58.42	57.91	48	6367580-6
△	136	72.80	66.10	48.26	47.75	40	6367580-5
	112	62.64	55.94	38.10	37.59	32	6367580-4
	88	52.48	45.78	27.94	27.43	24	6367580-3
	64	42.32	35.62	17.78	17.27	16	6367580-2
△	40	32.16	25.46	7.62	7.11	8	6367580-1
	N	H DIM	D DIM	B DIM	A OR C DIM	DIFF PAIRS △	PART NUMBER

THIS DRAWING IS A CONTROLLED DOCUMENT. DWN: JIM VAN SCOY, 27MAR05
 CHK: N. REESER, 27MAR05
 APVD: N. REESER, 27MAR05

STE TE Connectivity

NAME: Z-DOK+ HOST BOARD CONNECTOR ASSEMBLY, 8-72 SIGNAL DIFF. PAIR, 2 UTILITY CONTACTS PER SIDE

PRODUCT SPEC: 108-1985
 APPLICATION SPEC: 114-13068

SIZE: A1 00779 C=6367580
 WEIGHT: -
 CUSTOMER DRAWING

SCALE: 4:1 SHEET 1 OF 1 REV C