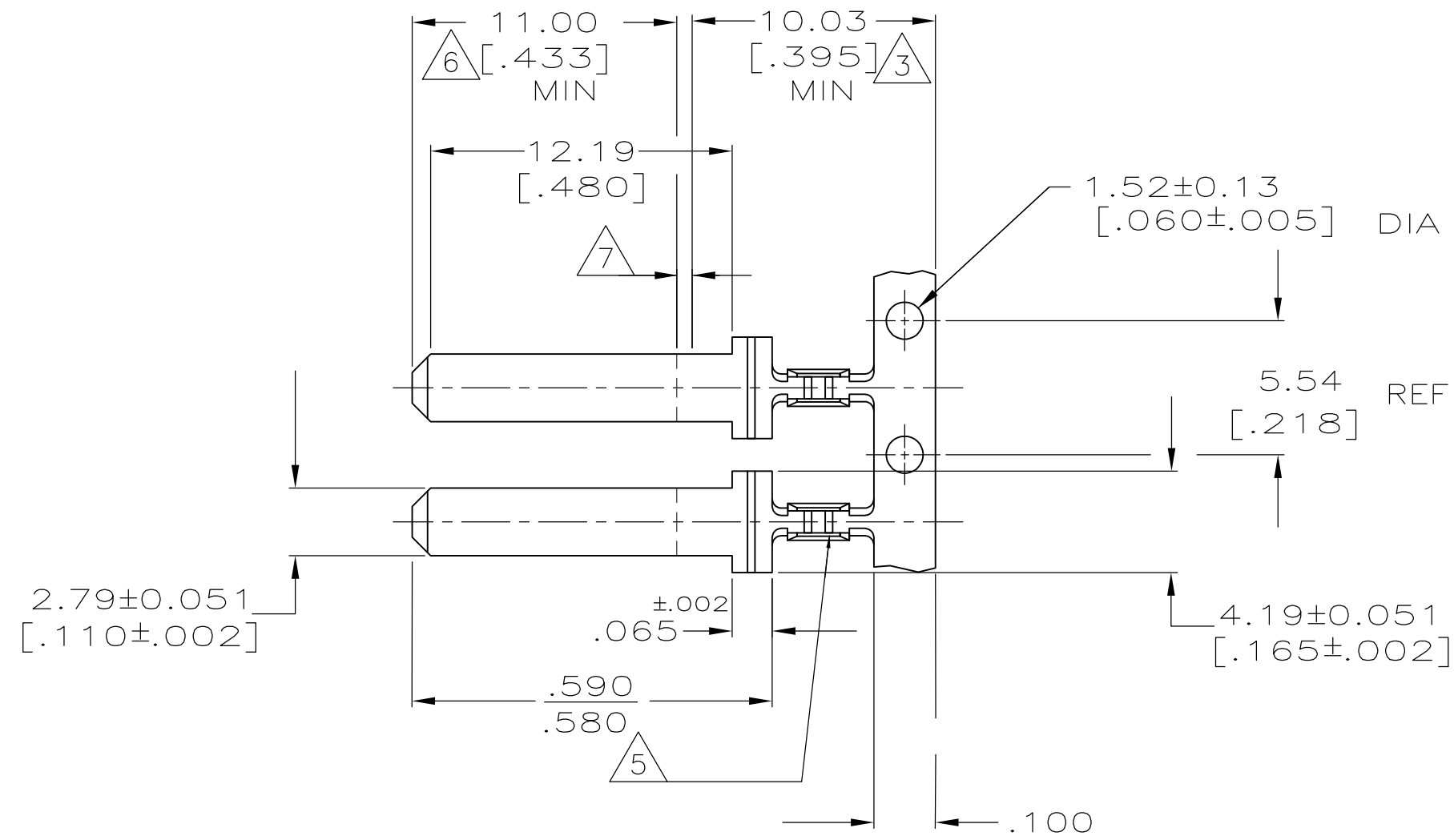
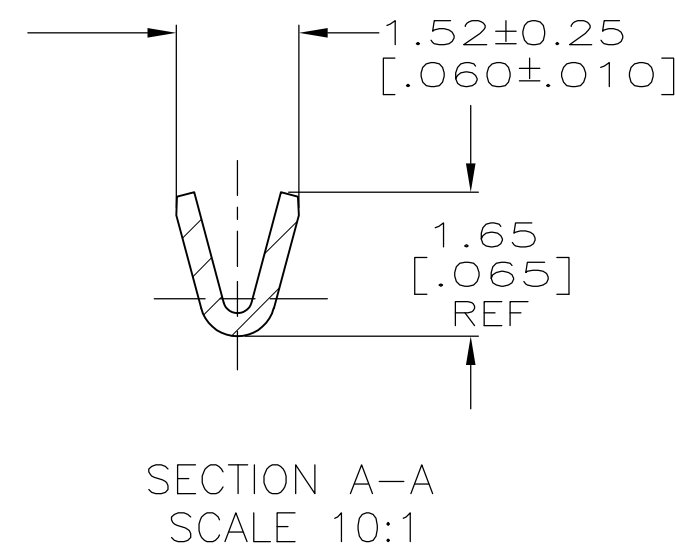
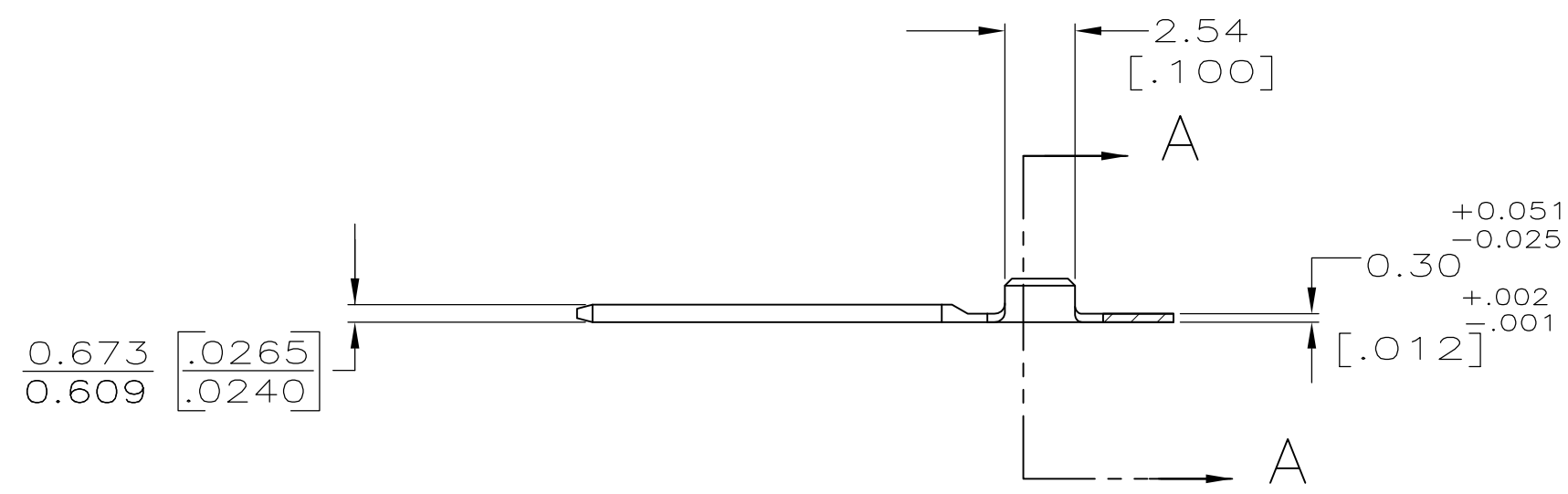


THIS DRAWING IS UNPUBLISHED. RELEASED FOR PUBLICATION
 © COPYRIGHT - By - ALL RIGHTS RESERVED.

LOC	DIST	REVISIONS			
P	LTR	DESCRIPTION	DATE	DWN	APVD
AF	50	L	REVISED PER ECR-13-011489	30NOV2013	KH PD



- 1 CONTINUOUS STRIP ON REELS.
- 2 0.002032 [.000080] MIN NICKEL UNDERPLATE ALL OVER.
- 3 0.00254-0.00762 [.000100-.000300] THICK TIN LEAD PLATING IN THIS AREA ONLY.
- 4 WIRE SIZE IS #30 SOLID.
- 5 TWO WIRE CRIMP SERRATIONS LOCATED IN THIS AREA.
- 6 0.00076 [.000030] MIN THICK GOLD PLATING IN THIS AREA ONLY.
- 7 SOME BARE NICKEL MAY BE PRESENT AT THE TRANSITION BETWEEN THE GOLD & TIN-LEAD PLATING.



2 3 6 7	63535-3
0.00381 [.000150] MIN TIN	63535-1
FINISH	PART NO.

THIS DRAWING IS A CONTROLLED DOCUMENT.		DWN	JR RUTH	10/29/97	STE TE Connectivity																	
DIMENSIONS: mm [INCHES]		CHK	MS FEHER	10/29/97																		
TOLERANCES UNLESS OTHERWISE SPECIFIED:		APVD	P DESANTIS	10/29/97																		
<table border="1"> <tr><td>0 PLC</td><td>±</td><td>-</td></tr> <tr><td>1 PLC</td><td>±</td><td>-</td></tr> <tr><td>2 PLC</td><td>±</td><td>0.25 [.010]</td></tr> <tr><td>3 PLC</td><td>±</td><td>-</td></tr> <tr><td>4 PLC</td><td>±</td><td>-</td></tr> <tr><td>ANGLES</td><td>±</td><td>-</td></tr> </table>		0 PLC	±	-		1 PLC	±	-	2 PLC	±	0.25 [.010]	3 PLC	±	-	4 PLC	±	-	ANGLES	±	-	NAME	TAB, SPECIAL
0 PLC	±	-																				
1 PLC	±	-																				
2 PLC	±	0.25 [.010]																				
3 PLC	±	-																				
4 PLC	±	-																				
ANGLES	±	-																				
MATERIAL	BRASS	FINISH	SEE TABLE	WEIGHT	-																	
CUSTOMER DRAWING		SIZE	A2	CAGE CODE	00779																	
		DRAWING NO	C=63535		RESTRICTED TO																	
		SCALE	4:1	SHEET	1 OF 1																	
		REV	L																			