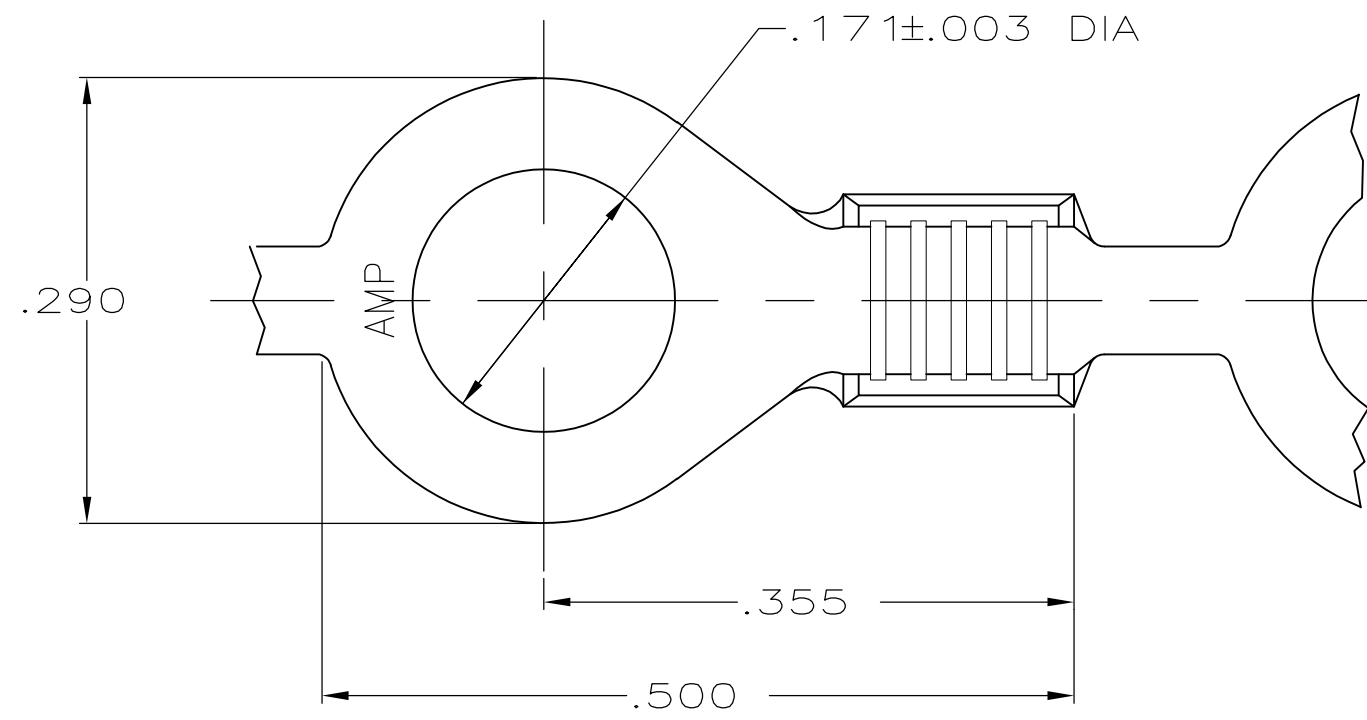
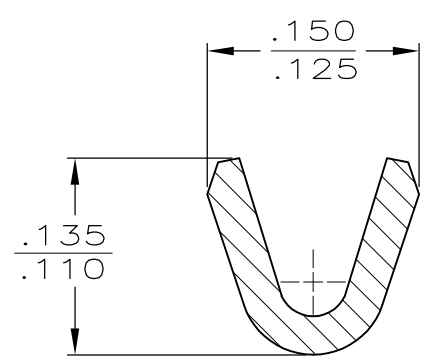
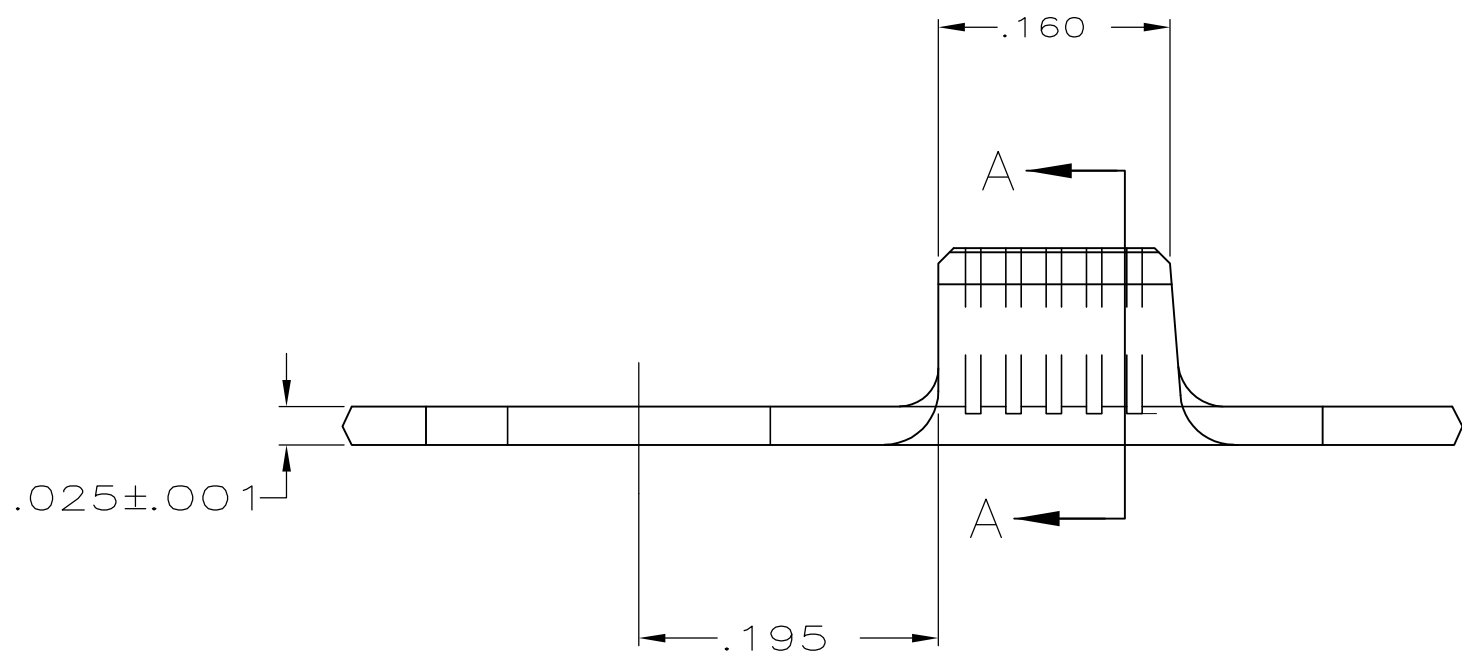


THIS DRAWING IS UNPUBLISHED. RELEASED FOR PUBLICATION  
 © COPYRIGHT - By TYCO ELECTRONICS CORPORATION. ALL RIGHTS RESERVED.

LOC	DIST	REVISIONS					
AF	50	P	LTR	DESCRIPTION	DATE	DWN	APVD
		D		REVISE PER ECR-13-013738	15FEB2014	GRZ	JL



△ .000080 MIN TIN PL PER MIL-T-10727.



SECTION A-A

△	22-18	63446-2
—	22-18	63446-1
FINISH	WIRE SIZE	PART NUMBER

THIS DRAWING IS A CONTROLLED DOCUMENT.		DWN 12/11/86 D HOLLINGSWORTH	<b>STE</b> TE Connectivity	
DIMENSIONS: INCHES		CHK 1/6/87 G YETTER		
TOLERANCES UNLESS OTHERWISE SPECIFIED:		APVD 1/6/87 R FRANTZ T SHUTTER	NAME RING,AMPLIVAR	
0 PLC ± - 1 PLC ± - 2 PLC ± - 3 PLC ± .015 4 PLC ± - ANGLES ± -		PRODUCT SPEC	RESTRICTED TO	
MATERIAL BRASS		FINISH SEE TABLE	APPLICATION SPEC	SIZE A3
		WEIGHT -	CAGE CODE 00779	DRAWING NO C-63446
CUSTOMER DRAWING			SCALE 8:1	SHEET 1 OF 1
			REV D	