

LOC J	DIST —	REVISIONS 変更			
P	LTR	DESCRIPTION	DATE	DWN	APVD
	A	RELEASED	01SEP05	MK	KB

SEE CUSTOMER DWG  
1318813

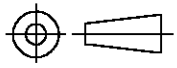

RELEASED FOR PUBLICATION

ALL RIGHTS RESERVED.

BY TYCO ELECTRONICS CORPORATION.

THIS DRAWING IS UNPUBLISHED.

© COPYRIGHT

DIMENSIONS: 単位： 特 mm  TOLERANCES UNLESS OTHERWISE SPECIFIED: 一般公差  0 PLC ± - 1 PLC ± - 2 PLC ± - 3 PLC ± - 4 PLC ± - ANGLES ± -  	DWN M.KADOSAKI 01SEP2005	MATERIAL 材料	FINISH 仕上			
	CHK T.SHINOHARA 01SEP05	 Tyco Electronics AMP K.K. Kawasaki, Japan				
	APVD K.BETSUI 01SEP05					
	PRODUCT SPEC 製品規格	NAME 名称 025/040 EFI ECU CONNECTOR 167 POSITION CAP HOUSING ASSEMBLY	SIZE A4	CAGE CODE 00779	DRAWING NO 番号 6318813-1	RESTRICTED TO —
APPLICATION SPEC 取付適用規格	WEIGHT	CUSTOMER DRAWING		SCALE 尺度 1:1	SHEET 1 OF 1	REV A