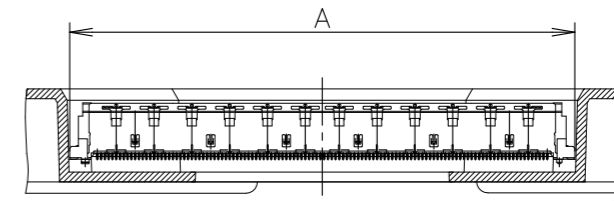
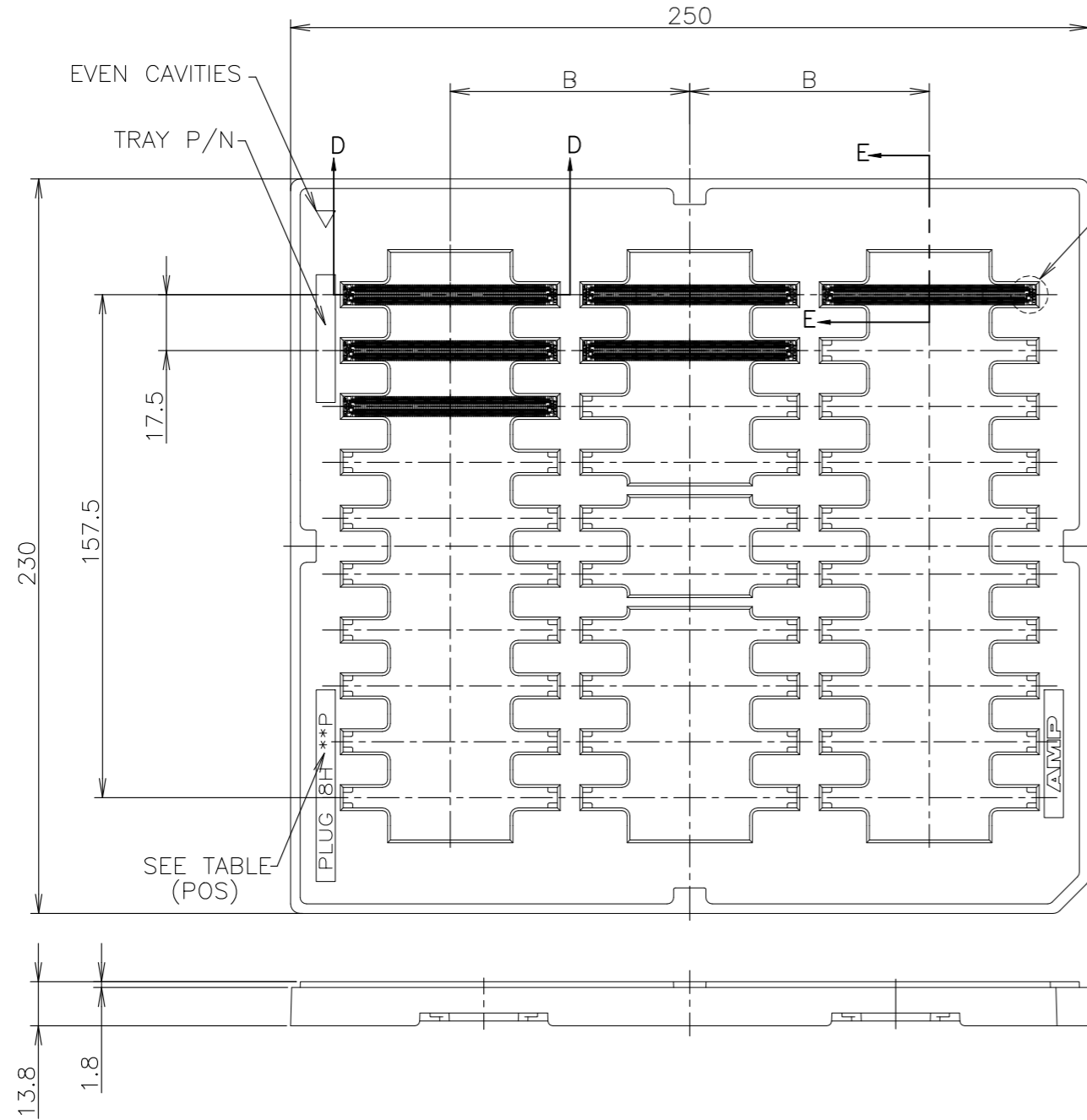
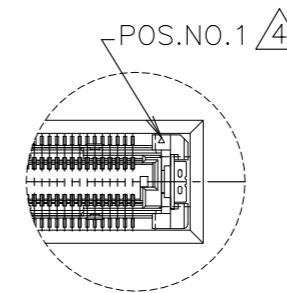


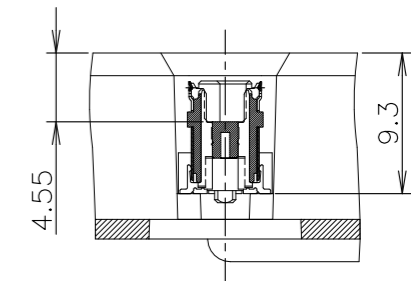
P	LTR	DESCRIPTION	DATE	DWN	APVD
	D7	ADD NEW PN 5-6318491-6	21JUL2022	MC	HL



SECT. D-D
(SCALE 2:1)
(CONNECTOR NOT SECTION)




DETAIL C
(SCALE 2:1)



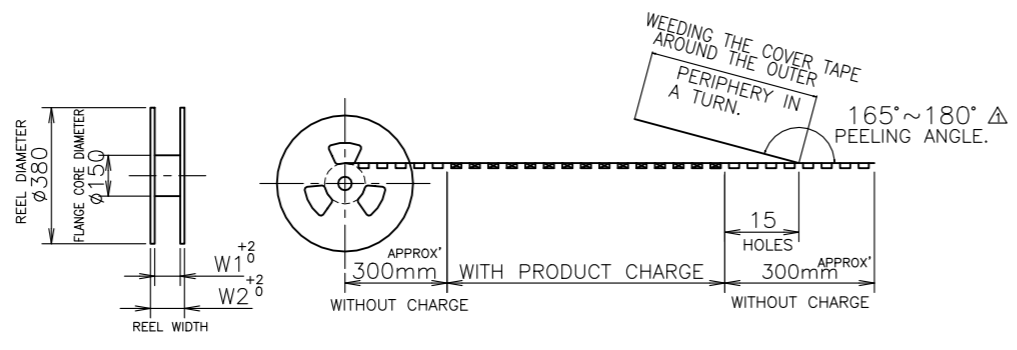
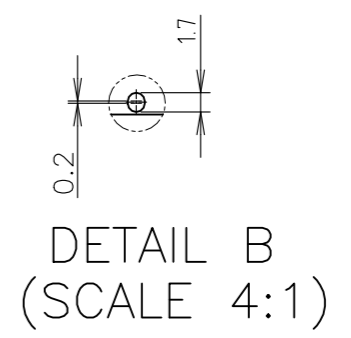
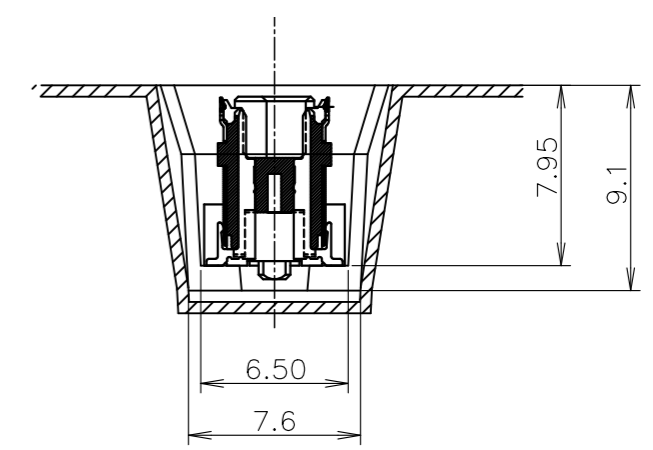
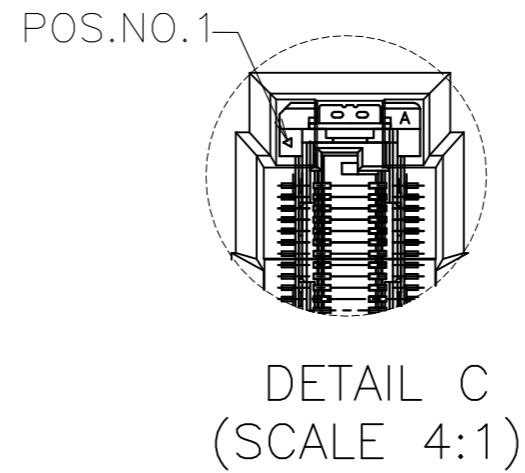
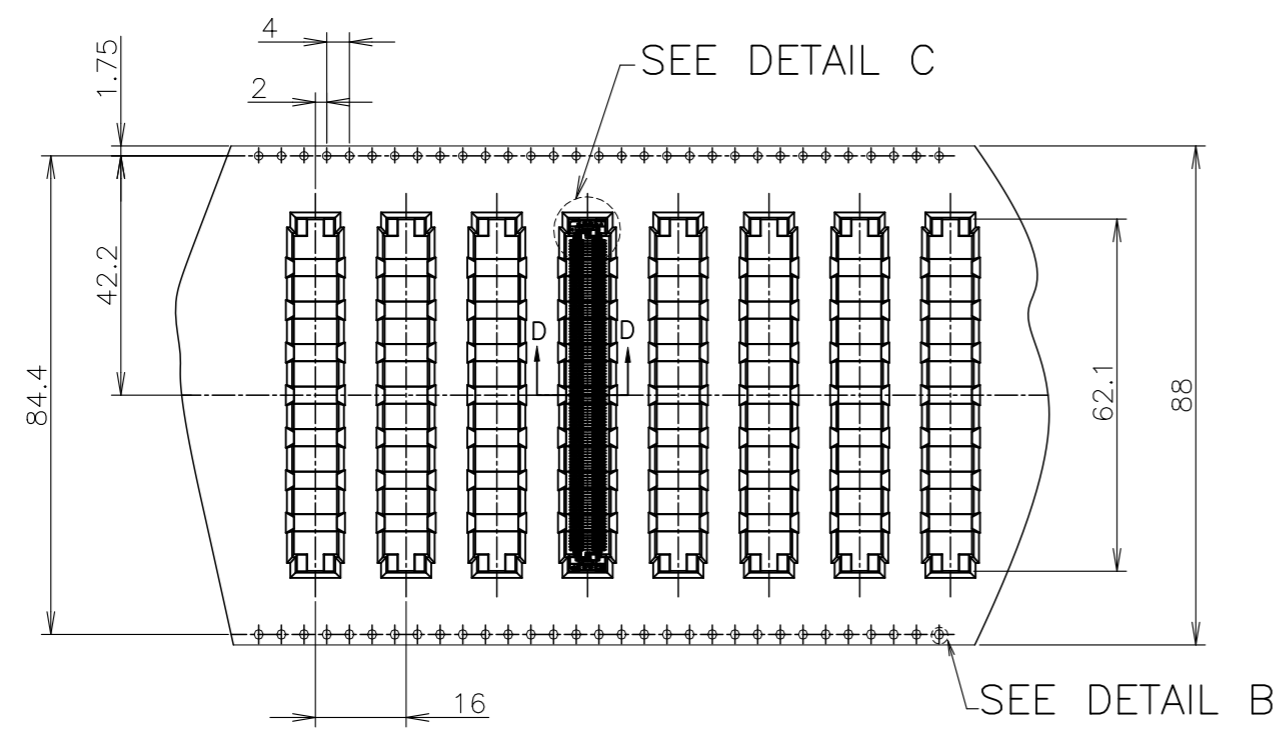
SECT. E-E
(SCALE 2:1)

WITHOUT PICK UP CAP

YES/4	3	30	75	61.8	220	8-6318491-6
NO	3	30	75	61.8	220	3-6318491-6
SEALANT	ROW	QTY	B	A	POS.	PART NO.

THIS DRAWING IS A CONTROLLED DOCUMENT.		DWN S.CHIEN 26SEP05	 TE Connectivity Ltd.			
DIMENSIONS: MM		CHK T.FUTATSUGI 26SEP05				
TOLERANCES UNLESS OTHERWISE SPECIFIED:		APVD W.KODAMA 26SEP05	NAME			
0 PLC ± 0.3 1 PLC ± 0.3 2 PLC ± 0.3 3 PLC ± 0.3 4 PLC ± 0.3 ANGLES ± 3°		PRODUCT SPEC 108-5560	HARD TRAY ASSY FH 0.5BTB CONNECTOR 220POS PLUG 8H WITH GROUND PLATE			
MATERIAL		APPLICATION SPEC	SIZE	CAGE CODE	DRAWING NO	RESTRICTED TO
FINISH		WEIGHT	A3	00779	C-6318491	
CUSTOMER DRAWING			SCALE	SHEET	REV	
			1:2	1 of 6	D7	

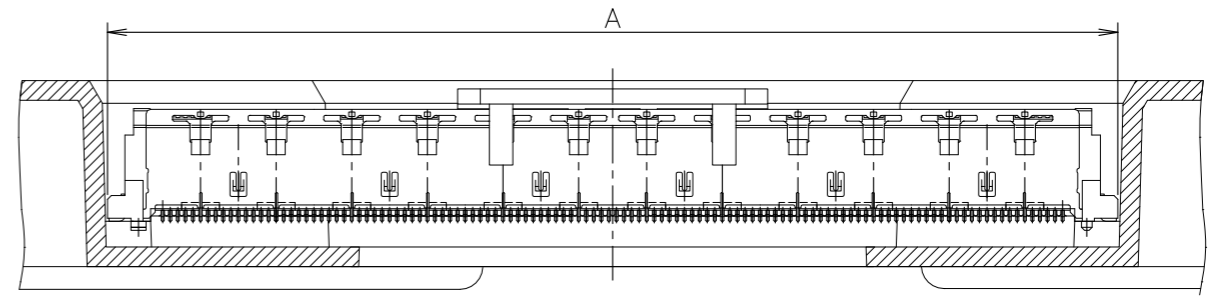
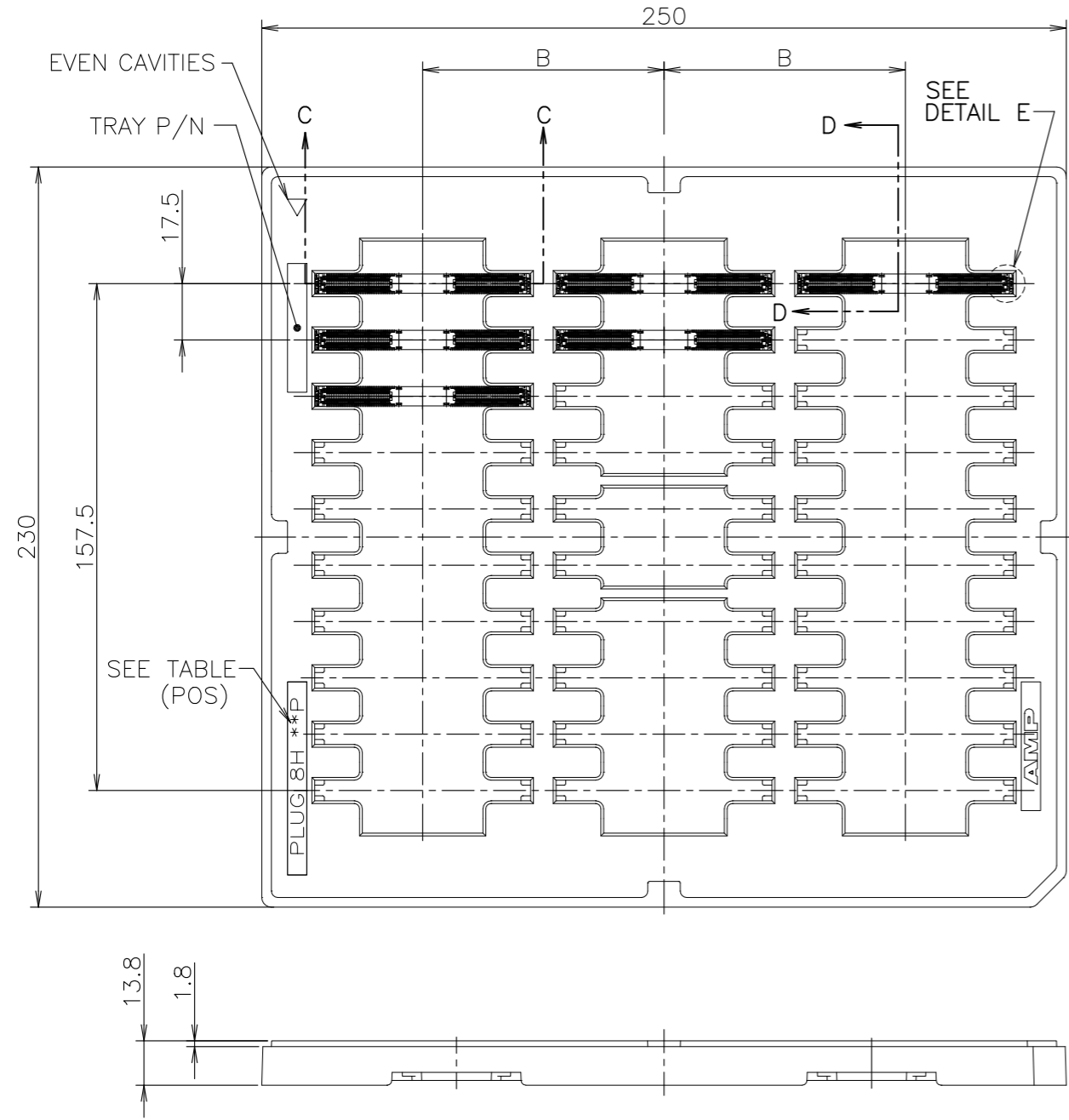
REVISIONS					
P	LTR	DESCRIPTION	DATE	DWN	APVD
-	-	SEE SHEET 1	-	-	-



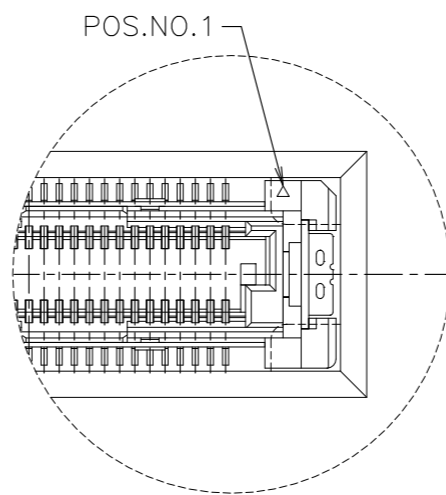
WITHOUT PICK UP CAP

NO	Y	400	93.5	88.5	220	2078455-1	3-5353619-6	4-6318491-6		
SEALANT	TOOLING AVAIL	QTY/REEL	W2	W1	POS.	EMBOSS P/N	CONN P/N	PART NO.		
THIS DRAWING IS A CONTROLLED DOCUMENT.						DWN S.CHIEN 26SEP05	TE Connectivity Ltd.			
DIMENSIONS: MM						CHK T.FUTATSUGI 26SEP05			NAME	
TOLERANCES UNLESS OTHERWISE SPECIFIED:						APVD W.KODAMA 26SEP05	HARD TRAY ASSY			
0 PLC ± 0.3						PRODUCT SPEC	FH 0.5BTB CONNECTOR 220POS			
1 PLC ± 0.3						APPLICATION SPEC	PLUG 8H WITH GROUND PLATE			
2 PLC ± 0.3						108-5560	SIZE	CAGE CODE	DRAWING NO	RESTRICTED TO
3 PLC ± 0.3							A3	00779	C-6318491	
4 PLC ± 0.3						WEIGHT	CUSTOMER DRAWING			
ANGLES ± 3°							SCALE	SHEET	REV	
FINISH							1:2	2 OF 6	D7	

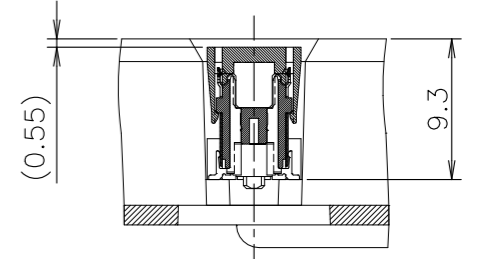
REVISIONS					
P	LTR	DESCRIPTION	DATE	DWN	APVD
-	-	SEE SHEET 1	-	-	-



SECT. C-C
(SCALE 2:1)



DETAIL E
(SCALE 4:1)



SECT. D-D
(SCALE 2:1)

WITH PICK UP CAP

NATURAL	NO	3	30	75	61.8	220	6-6318491-6
BLACK	NO	3	30	75	61.8	220	9-6318491-6
CAP COLOR	SEALANT	ROW	QTY	B	A	POS.	PART NO.

THIS DRAWING IS A CONTROLLED DOCUMENT.		DWN S.CHIEN 26SEP05	TE Connectivity Ltd.				
DIMENSIONS: MM		CHK T.FUTATSUGI 26SEP05					
TOLERANCES UNLESS OTHERWISE SPECIFIED:		APVD W.KODAMA 26SEP05	NAME				
0 PLC ± 0.3 1 PLC ± 0.3 2 PLC ± 0.3 3 PLC ± 0.3 4 PLC ± 0.3 ANGLES ± 3°		PRODUCT SPEC 108-5560	HARD TRAY ASSY FH 0.5BTB CONNECTOR 220POS PLUG 8H WITH GROUND PLATE				
MATERIAL		APPLICATION SPEC	SIZE	CAGE CODE	DRAWING NO	RESTRICTED TO	
-		FINISH	-	A300779	C-6318491		
CUSTOMER DRAWING			WEIGHT	-	SCALE	SHEET	REV
			-	1:2	3 OF 6	D7	

PRELIMINARY

4

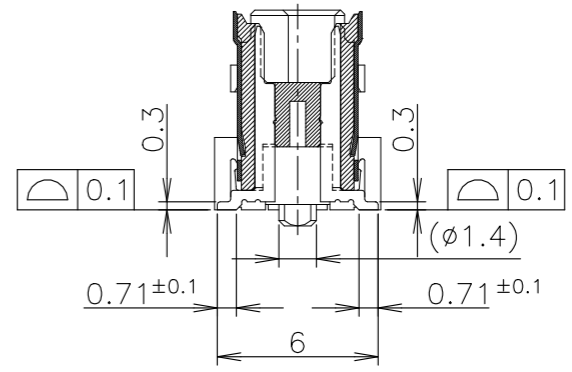
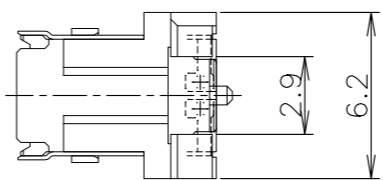
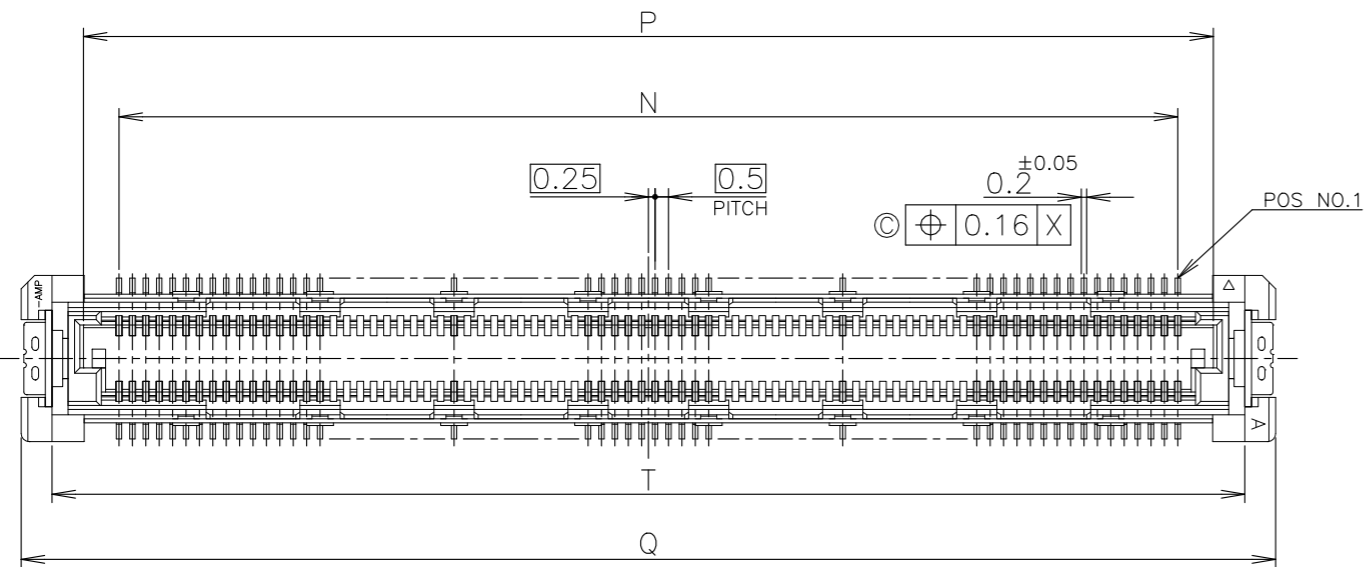
3

2

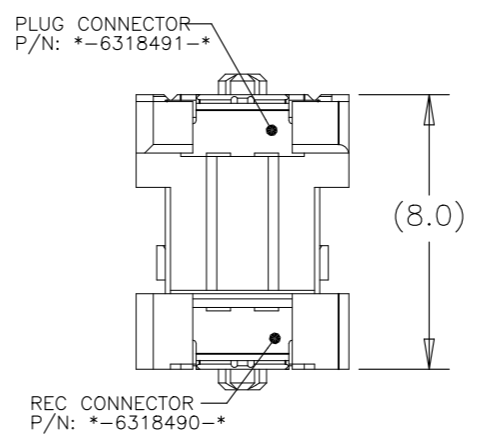
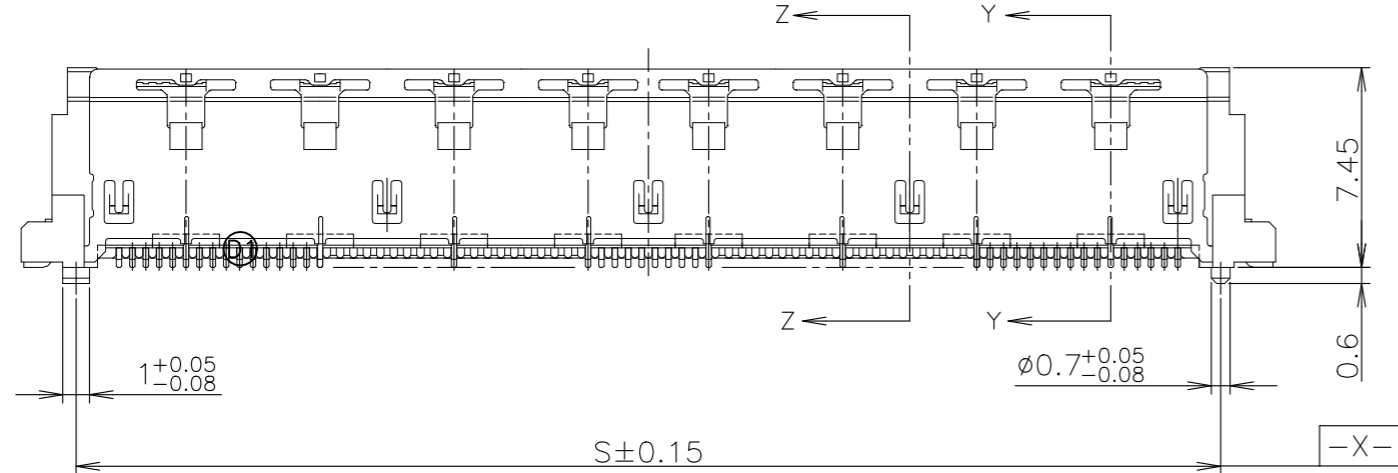
1

© 1996 TE Connectivity. All Rights Reserved.

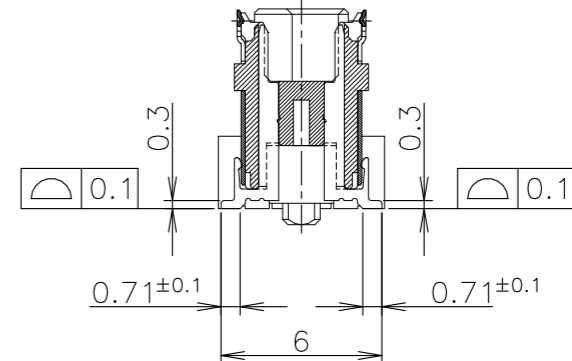
REVISIONS				
P	LTR	DESCRIPTION	DATE	APVD
-	-	SEE SHEET 1	-	-



SECT. Z-Z
(SIGNAL POSITION)



FULL-MATED CONDITION



SECT. Y-Y
(GROUND POSITION)

- NOTE:**
- ① MATERIAL ; HOUSING : HIGH TEMP THERMO PLASTIC UL94V-0
CONTACT : COPPER ALLOY
SOLDER PEG : COPPER ALLOY
 - ② FINISH ; SIGNAL CONTACT : UNDER PL Ni 0.0013mm MIN ALL OVER.
CONTACT AREA 0.0002mm MIN Au PL.
SOLDERING AREA 0.001mm MIN TIN PL.
GROUND CONTACT : UNDER PL Ni 0.0013mm MIN ALL OVER.
CONTACT AREA 0.0002mm MIN Au PL.
SOLDERING AREA 0.001mm MIN TIN PL.
SOLDER PEG : 0.001mm MIN TIN PL. OVER
0.0013mm MIN Ni PL ALL OVER.
 - ③ THIS POSITION IS GROUND CIRCUIT.
 - ④ THIS PRODUCT WAS COATED BY FLUX-PENETRATION-INHIBITING AGENT.

59.5	57.7	61.8	57.1	54.5	220	BLACK	X-6318491-6
T	S	Q	P	N	POS.	HSG COLOR	PART NO.

THIS DRAWING IS A CONTROLLED DOCUMENT.		DWN		TE TE Connectivity Ltd.																	
DIMENSIONS: MM		CHK																			
<table border="1" style="width: 100%; border-collapse: collapse;"> <tr> <th colspan="2">DIMENSIONS: MM</th> <th colspan="2">TOLERANCES UNLESS OTHERWISE SPECIFIED:</th> </tr> <tr> <td>0 PLC</td> <td>± 0.3</td> <td>1 PLC</td> <td>± 0.3</td> </tr> <tr> <td>2 PLC</td> <td>± 0.3</td> <td>3 PLC</td> <td>± 0.3</td> </tr> <tr> <td>4 PLC</td> <td>± 0.3</td> <td>ANGLES</td> <td>± 3°</td> </tr> </table>		DIMENSIONS: MM		TOLERANCES UNLESS OTHERWISE SPECIFIED:		0 PLC	± 0.3	1 PLC	± 0.3	2 PLC	± 0.3	3 PLC	± 0.3	4 PLC	± 0.3	ANGLES	± 3°	APVD		NAME HARD TRAY ASSY FH 0.5BTB CONNECTOR 220POS PLUG 8H WITH GROUND PLATE	
		DIMENSIONS: MM		TOLERANCES UNLESS OTHERWISE SPECIFIED:																	
0 PLC	± 0.3	1 PLC	± 0.3																		
2 PLC	± 0.3	3 PLC	± 0.3																		
4 PLC	± 0.3	ANGLES	± 3°																		
MATERIAL ①		FINISH ②																			
MATERIAL ①		FINISH ②		PRODUCT SPEC																	
MATERIAL ①		FINISH ②		APPLICATION SPEC																	
MATERIAL ①		FINISH ②		WEIGHT																	
MATERIAL ①		FINISH ②		CUSTOMER DRAWING																	
MATERIAL ①		FINISH ②		SCALE 4:1 SHEET 4 OF 6 REV D7																	

4

3

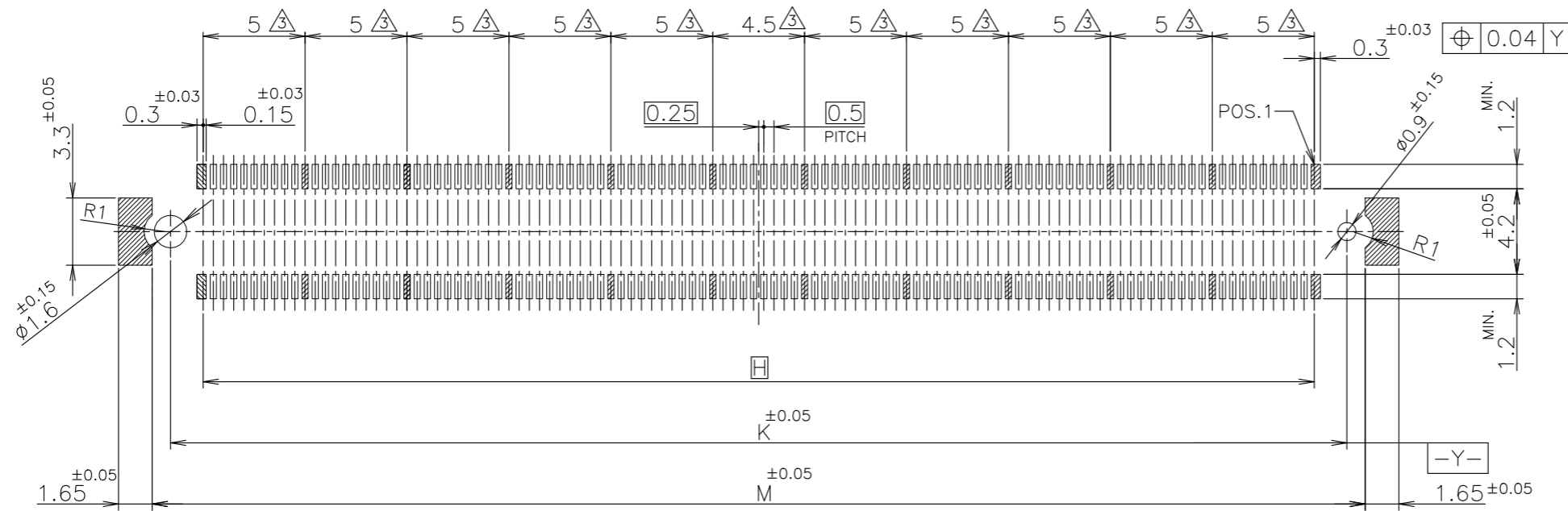
2

1

© 1996 TE Connectivity. All Rights Reserved.

REVISIONS

P	LTR	DESCRIPTION	DATE	DWN	APVD
-	-	SEE SHEET 1	-	-	-

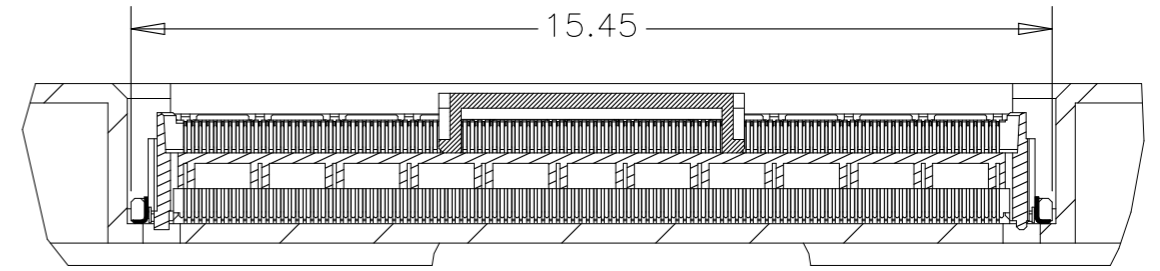
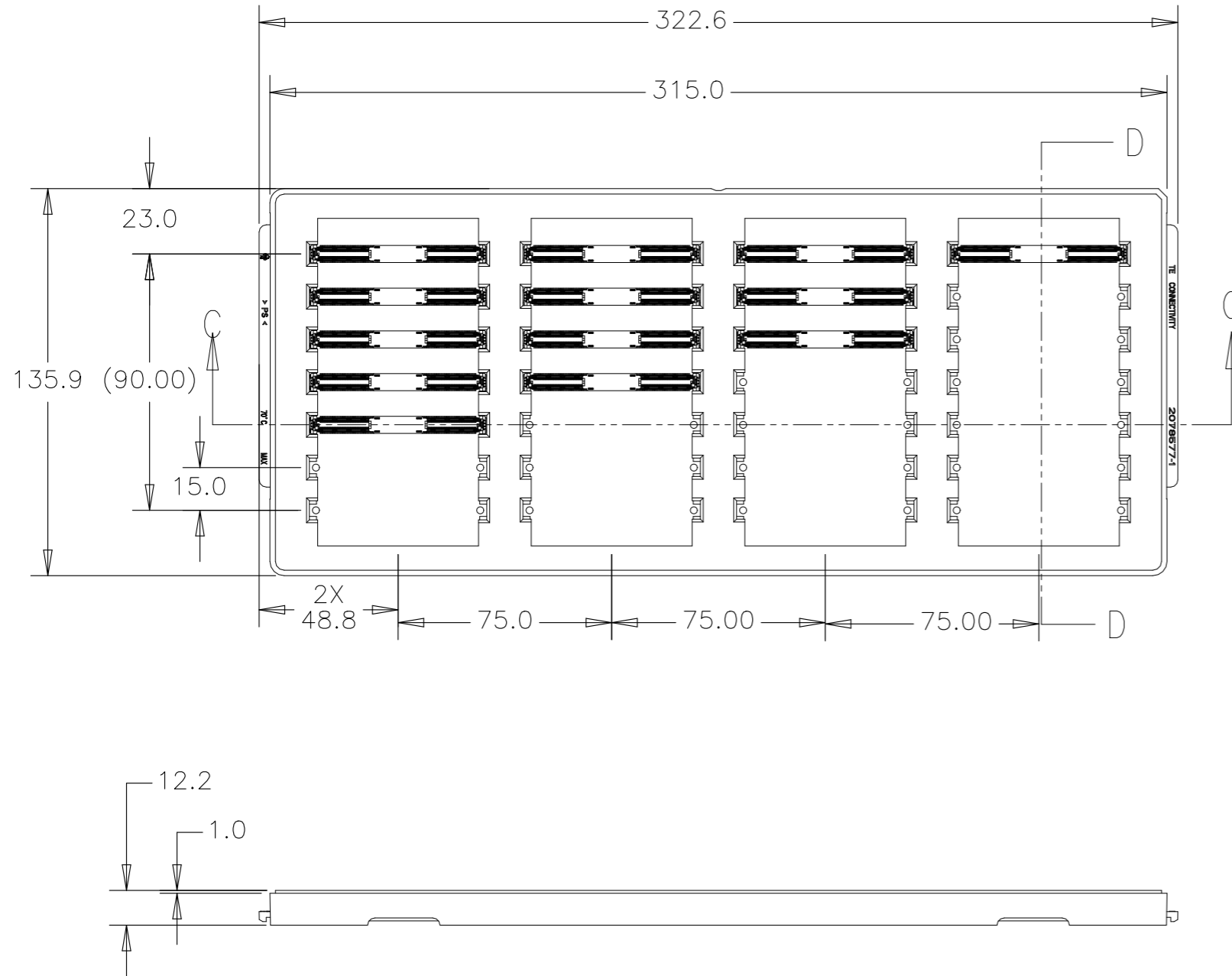


REFERENCE P.C.BOARD LAYOUT

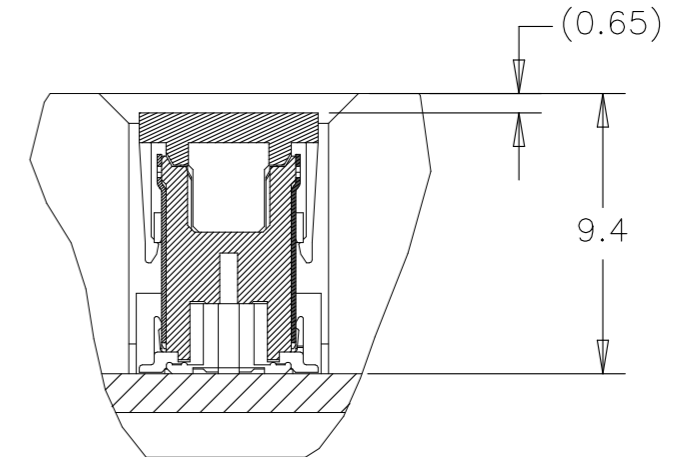
59.5	57.7	54.5	220	X-6318491-6
M	K	H	POS	PART NO.

THIS DRAWING IS A CONTROLLED DOCUMENT.		DWN	STE TE Connectivity Ltd.	
DIMENSIONS: MM		CHK		
TOLERANCES UNLESS OTHERWISE SPECIFIED:		APVD	NAME	
0 PLC ± 0.3		PRODUCT SPEC	HARD TRAY ASSY	
1 PLC ± 0.3		APPLICATION SPEC	FH 0.5BTB CONNECTOR 220POS	
2 PLC ± 0.3		WEIGHT	PLUG 8H WITH GROUND PLATE	
3 PLC ± 0.3		A3 00779 C-6318491	SIZE	RESTRICTED TO
4 PLC ± 0.3			CAGE CODE	DRAWING NO
ANGLES ± 3'		CUSTOMER DRAWING		SCALE 4:1
MATERIAL	FINISH	SHEET 5 OF 6		REV D7
1	2			

P	LTR	DESCRIPTION	DATE	DWN	APVD
-	-	SEE SHEET 1	-	-	-



SECTION C-C
SCALE 2:1



SECTION D-D
SCALE 4:1

SCALE 1:2

BLACK	NO	4	28	220	2078577-1	5-6318491-6
CAP COLOR	SEALANT	ROW	QTY	POS	TRAY NO	PART NO

WITH PICK UP CAP

THIS DRAWING IS A CONTROLLED DOCUMENT.		DWN S.CHIEEN 26SEP05	TE Connectivity Ltd.			
DIMENSIONS: MM		CHK T.FUTATSUGI 26SEP05				
TOLERANCES UNLESS OTHERWISE SPECIFIED:		APVD W.KODAMA 26SEP05	NAME			
0 PLC ± 0.3		PRODUCT SPEC	HARD TRAY ASSY			
1 PLC ± 0.3		108-5560	FH 0.5BTB CONNECTOR 220POS			
2 PLC ± 0.3		APPLICATION SPEC	PLUG 8H WITH GROUND PLATE			
3 PLC ± 0.3		-	SIZE	CAGE CODE	DRAWING NO	RESTRICTED TO
4 PLC ± 0.3		WEIGHT	A3	00779	C-6318491	
ANGLES ± 3'			SCALE 1:2		SHEET 6 of 6	REV D7
MATERIAL	FINISH	CUSTOMER DRAWING				