

THIS DRAWING IS UNPUBLISHED.

RELEASED FOR PUBLICATION

ALL RIGHTS RESERVED.

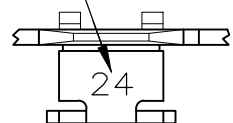
LOC AF DIST 50

REVISIONS

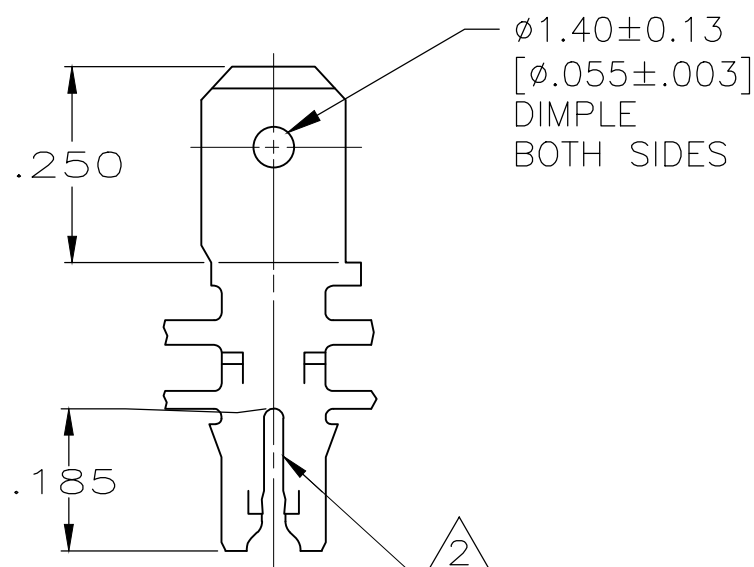
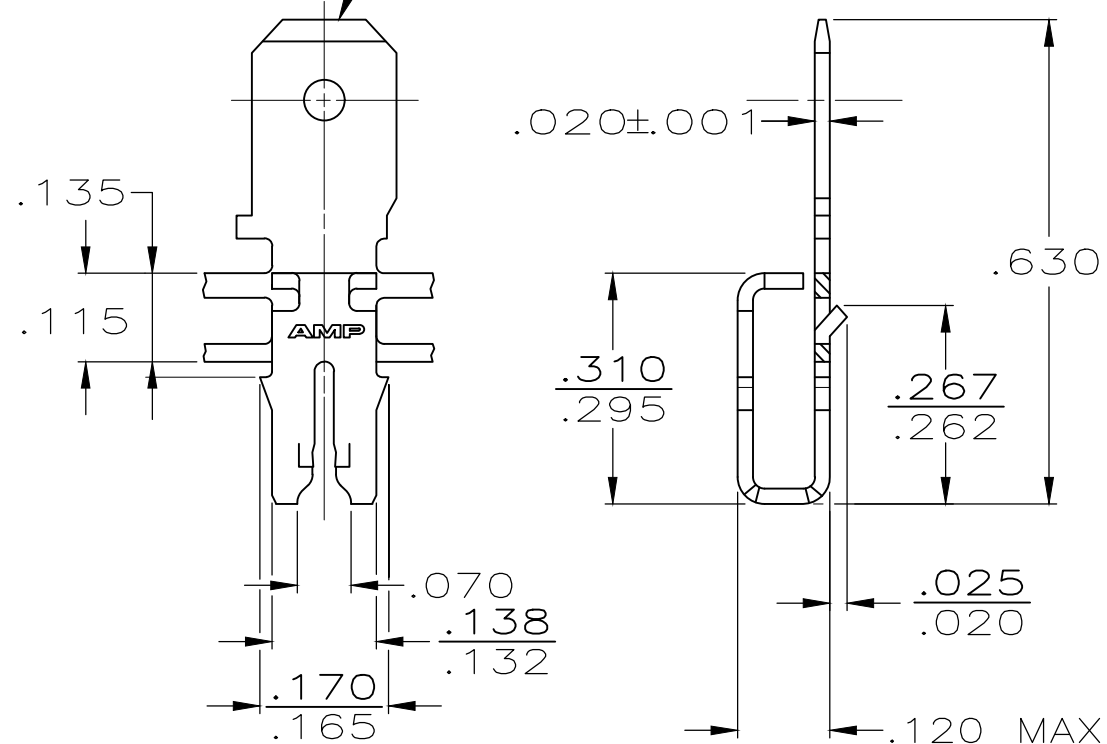
P	LTR	DESCRIPTION	DATE	DWN	APVD
	S3	REVISED PER ECR-18-014081	21SEP2018	BDA	SV

- 1 CONTINUOUS STRIP ON REELS WITH TERMINALS LOCATED ON .220 CENTERS.
- 2 SLOT ACCEPTS SINGLE #19-#17 AWG COPPER MAGNET WIRE. OR SLOT ACCEPTS SINGLE #18.5-#17 AWG ALUMINUM MAGNET WIRE. ALUMINUM WIRE RANGE APPLIES FOR POST-TIN PLATED VERSIONS ONLY.
- 3 AFTER INSERTION INTO PLASTIC HOLDER TAB PORTION MUST BE BENT OVER 45° TO 90° OR POTTED TO PREVENT PULL-OUT WHEN MATING RECEPTACLE IS DISCONNECTED.

IDENTIFICATION NUMBER 24 FOR MAGNET WIRE RANGE.



FITS .187 SERIES FASTON RECEPTACLE



SPLICE FREE	62888-2
-	62888-1
REELING	PART NUMBER

THIS DRAWING IS A CONTROLLED DOCUMENT.		DWN 11/7/88 MICHAEL S. FEHER	STE TE Connectivity	
DIMENSIONS: INCHES		CHK 11/9/88 JEFF R. RUTH		
TOLERANCES UNLESS OTHERWISE SPECIFIED:		APVD -	NAME	
0 PLC ± -		PRODUCT SPEC	TAB, 187 FASTON, MAG-MATE	
1 PLC ± -		108-2012	-	
2 PLC ± -		APPLICATION SPEC	-	
3 PLC ± .010		114-2067	SIZE	CAGE CODE
4 PLC ± -		WEIGHT -	A3	00779
ANGLES ± 1°		CUSTOMER DRAWING	DRAWING NO	RESTRICTED TO
MATERIAL BRASS	FINISH TIN PLATE	SCALE 4:1	SHEET 1 OF 1	REV S3