

THIS DRAWING IS UNPUBLISHED.

RELEASED FOR PUBLICATION

ALL RIGHTS RESERVED.

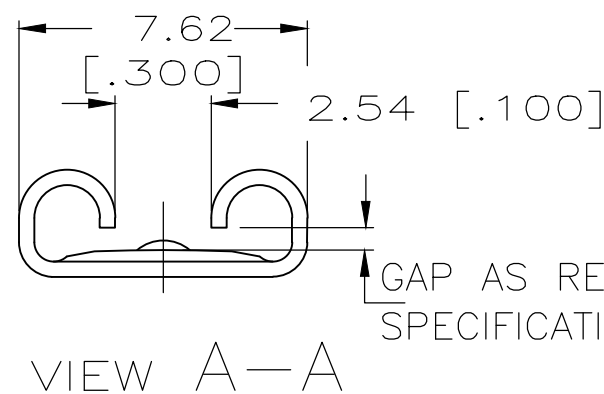
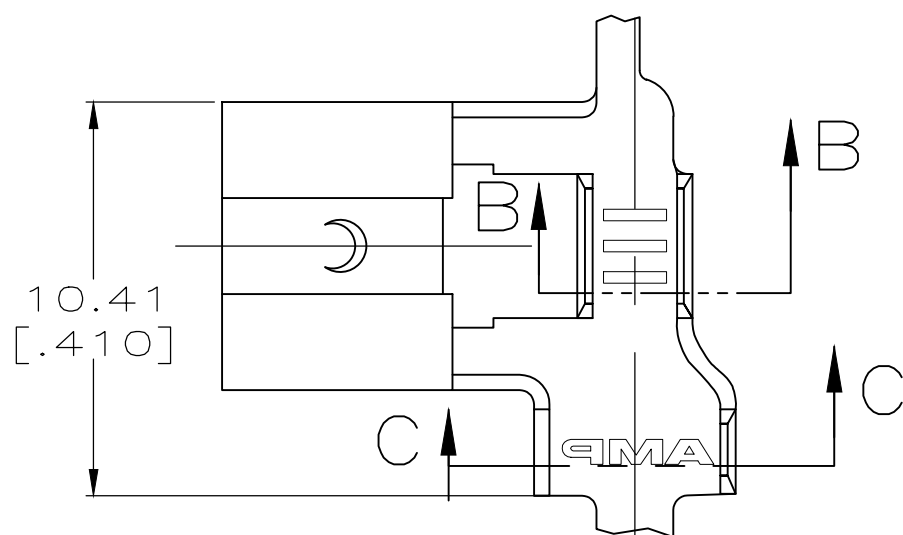
© COPYRIGHT - By -

LOC AF DIST 50

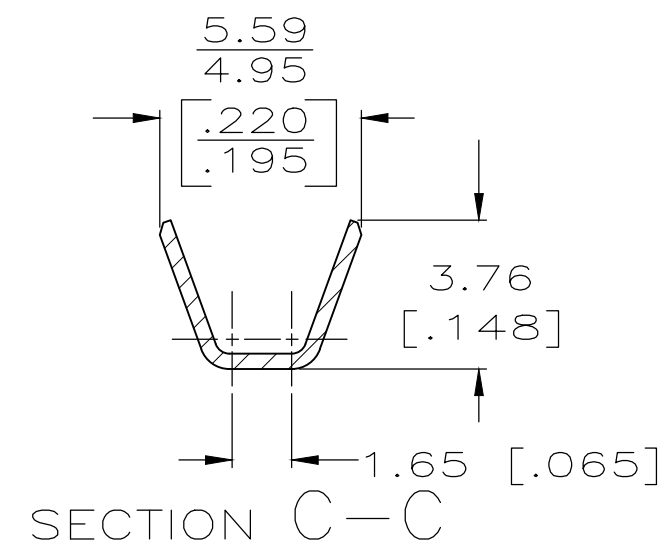
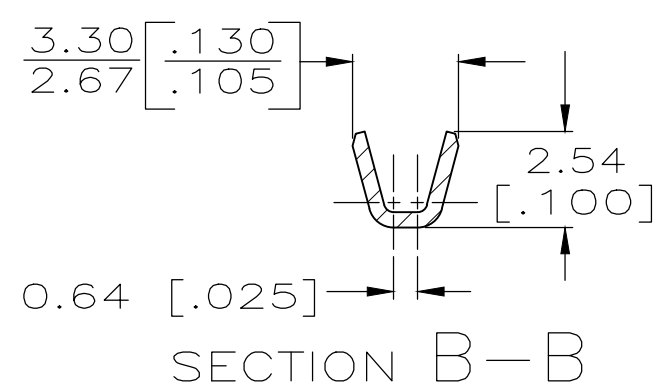
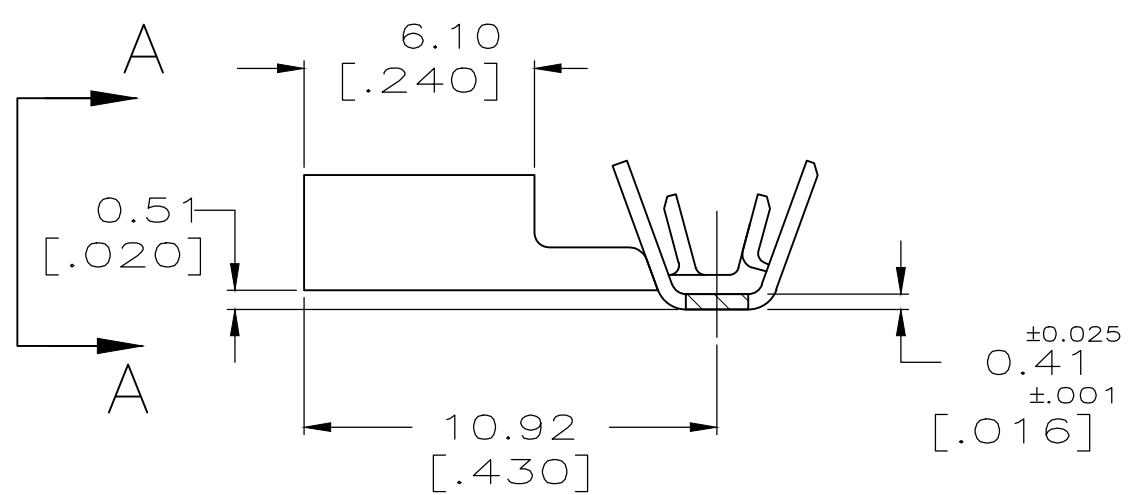
REVISIONS

P	LTR	DESCRIPTION	DATE	DWN	APVD
	D2	REVISED PER ECR-20-009164	28JUL2020	MK	DH

- CONTINUOUS STRIP ON REELS.
- WIRE SIZE 0.3-0.9mm<sup>2</sup> [22-18] AWG
- INSULATION RANGE IS 1.52-2.54 [.060-.100] DIA.
- MATING TAB THK IS 0.84-0.76 [.033-.030]



GAP AS REQUIRED TO MEET FORCE SPECIFICATIONS AND 0.71 [.028] MAX



NICKEL	CR STEEL	62813-3
TIN	BRASS	62813-2
-	BRASS	62813-1
FINISH	FINISH	PART NO.

THIS DRAWING IS A CONTROLLED DOCUMENT.		DWN JR RUTH 4/8/91	TE Connectivity RECEPTACLE, FASTON, FLAG, 6.35 [.250] SERIES	
DIMENSIONS: mm [INCHES]		CHK MS FEHER 4/8/91		
TOLERANCES UNLESS OTHERWISE SPECIFIED:		APVD R KUZO 4/8/91		
0 PLC ± - 1 PLC ± - 2 PLC ± - 3 PLC ± 0.38 [.015] 4 PLC ± - ANGLES ± -		PRODUCT SPEC -		
MATERIAL SEE TABLE		FINISH SEE TABLE	APPLICATION SPEC -	SIZE A3
			WEIGHT -	CAGE CODE 00779
				DRAWING NO C-62813
				RESTRICTED TO -
CUSTOMER DRAWING			SCALE 5:1	SHEET 1 OF 1
				REV D2