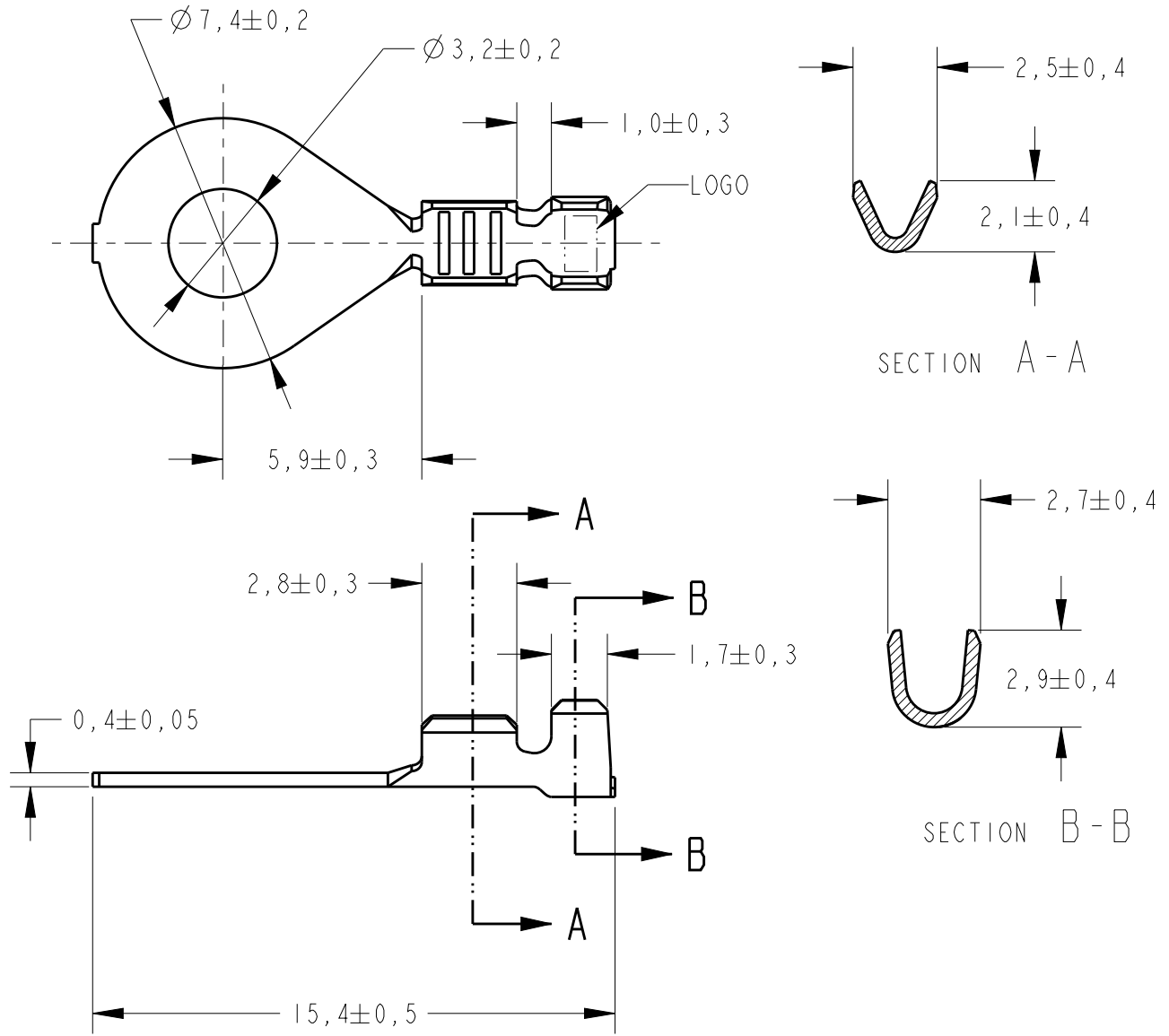




LOC	DIST	REVISIONS					
AP	-	P	LTR	DESCRIPTION	DATE	DWN	APVD
		G1		REDRAWN BY CAD ECO-14-018945	12JAN2015	HC	WLS
		G2		REV BY ECO 17-012254	21AUG2017	HC	WLS



1-WIRE RANGE 24-20AWG
INSULATION RANGE - Ø1,2 - 1,8mm.

	TIN PLATED	BRASS	626078-2
OBSOLETE		BRASS	626078-1
	FINISH	MATERIAL	PART NUMBER

THIS DRAWING IS UNPUBLISHED.
 ALL RIGHTS RESERVED.
 © COPYRIGHT copyright_d8Ye-

DIMENSIONS: mm	DWN H.C. CANTERI 12JAN2015	MATERIAL -	FINISH -
TOLERANCES UNLESS OTHERWISE SPECIFIED:	CHK W.L. STEFANI 13JAN2015	 TE Connectivity	
0 PLC ± -	APVD -		
1 PLC ±0,3	PRODUCT SPEC -	NAME RING TONGUE	
2 PLC ±0,3	APPLICATION SPEC -	SIZE A4	CAGE CODE -
3 PLC ± -	WEIGHT -	DRAWING NO C-626078	RESTRICTED TO -
4 PLC ± -			
ANGLES ±1°			
	CUSTOMER DRAWING	SCALE 5/1	SHEET 1 OF 1
			REV G2