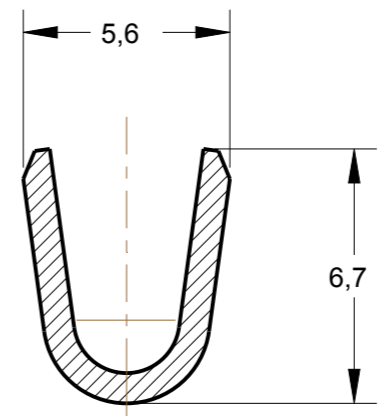
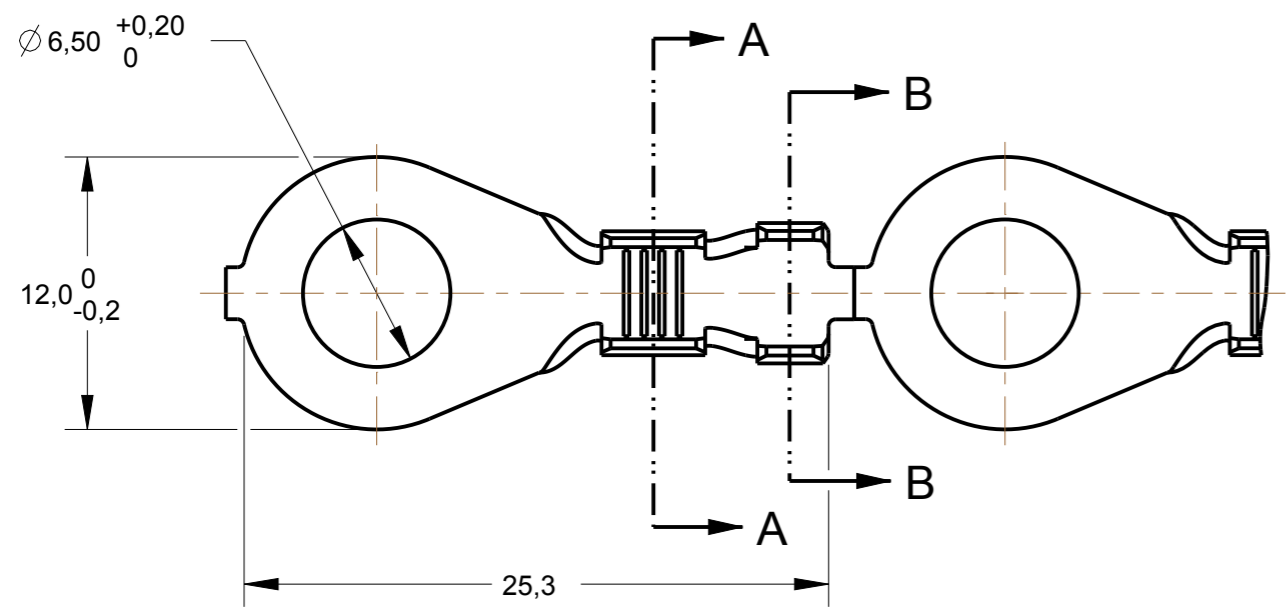


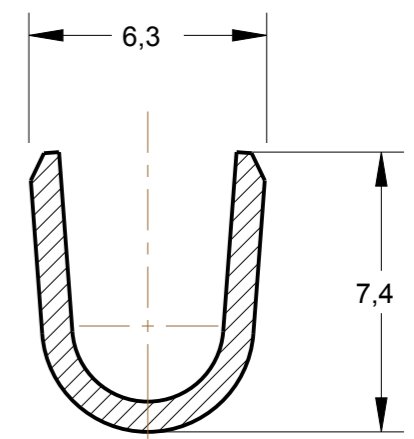
THIS DRAWING IS UNPUBLISHED. RELEASED FOR PUBLICATION 20
 © COPYRIGHT20 BY - ALL RIGHTS RESERVED.

LOC	DIST	REVISIONS			
P	LTR	DESCRIPTION	DATE	DWN	APVD
AP	-				
	G4	REDRAW AND REVISED ECO 13-015672	09OCT2013	HC	WLS
	G5	REV. BY ECO 15-014754	17FEB2016	HC	WLS
	G6	REVISED DRAWING ECO-17-008021	05JUN2017	NCL	DAO

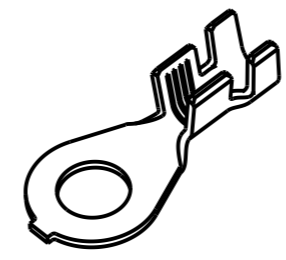
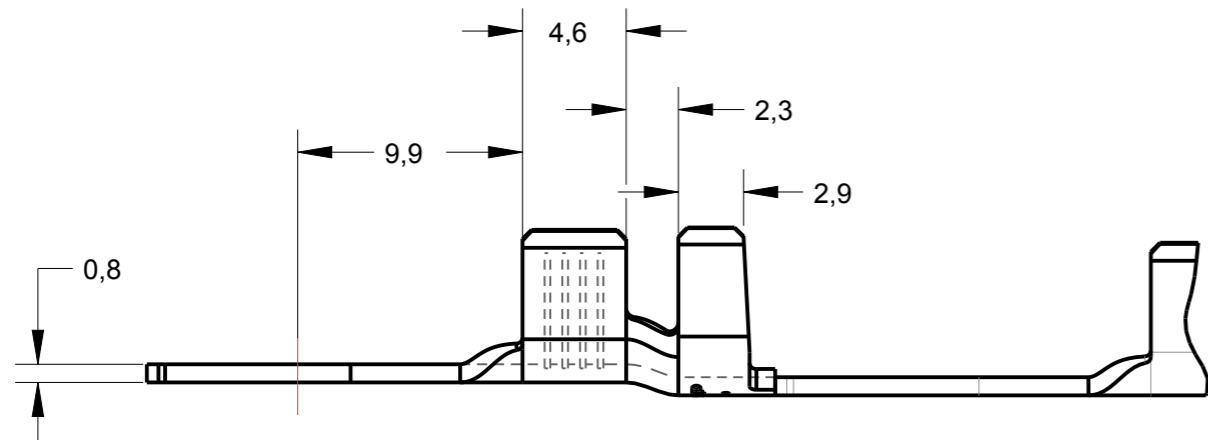
creo
 Creo Parametric 3.0
 DO NOT REVISE
 EXCEPT BY CAD



SECTION A-A
SCALE 5:1



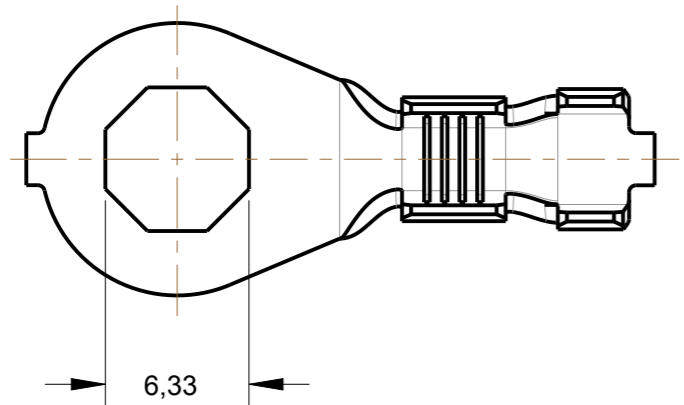
SECTION B-B
SCALE 5:1



PERSPECTIVE VIEW
SCALE 3:2

1 - BOBINAR COM PAPEL INTERCALADO
 - REELING WITH PAPER INTERLEAVE

626037-5
626037-6



OBSELETE	PÓS ESTANHADO/ ELECTRO TIN PLATED	MAKE FROM 626037-5	626037-6	1			
	PLAIN	LATÃO / BRASS	626037-5	1			
	PÓS ESTANHADO/ ELECTRO TIN PLATED	LATÃO / BRASS	626037-4	1			
	---	BRONZE FOSFOROSO/PHOSP.BRONZE	626037-3				
	PÓS ESTANHADO/ ELECTRO TIN PLATED	LATÃO / BRASS	626037-2	1			
16,26	14,22	∅ 3,2-5,3mm	4,0-6,0mm ²	---	LATÃO / BRASS	626037-1	1
IDW	WDW	INSUL.RANGE	WIRE RANGE	FINISH	MATERIAL	PART NO	

THIS DRAWING IS A CONTROLLED DOCUMENT.

DWN 08DEC2013 H.CANTERI
 CHK 08DEC2013 W.L.STEFANI
 APVD -

TE Connectivity

STE

RING TONGUE

SIZE A3 CAGE CODE 00779 DRAWING NO C-626037 RESTRICTED TO -

MATERIAL SEE TABLE FINISH SEE TABLE WEIGHT -

Customer Drawing SCALE 2:1 SHEET 1 OF 1 REV G6