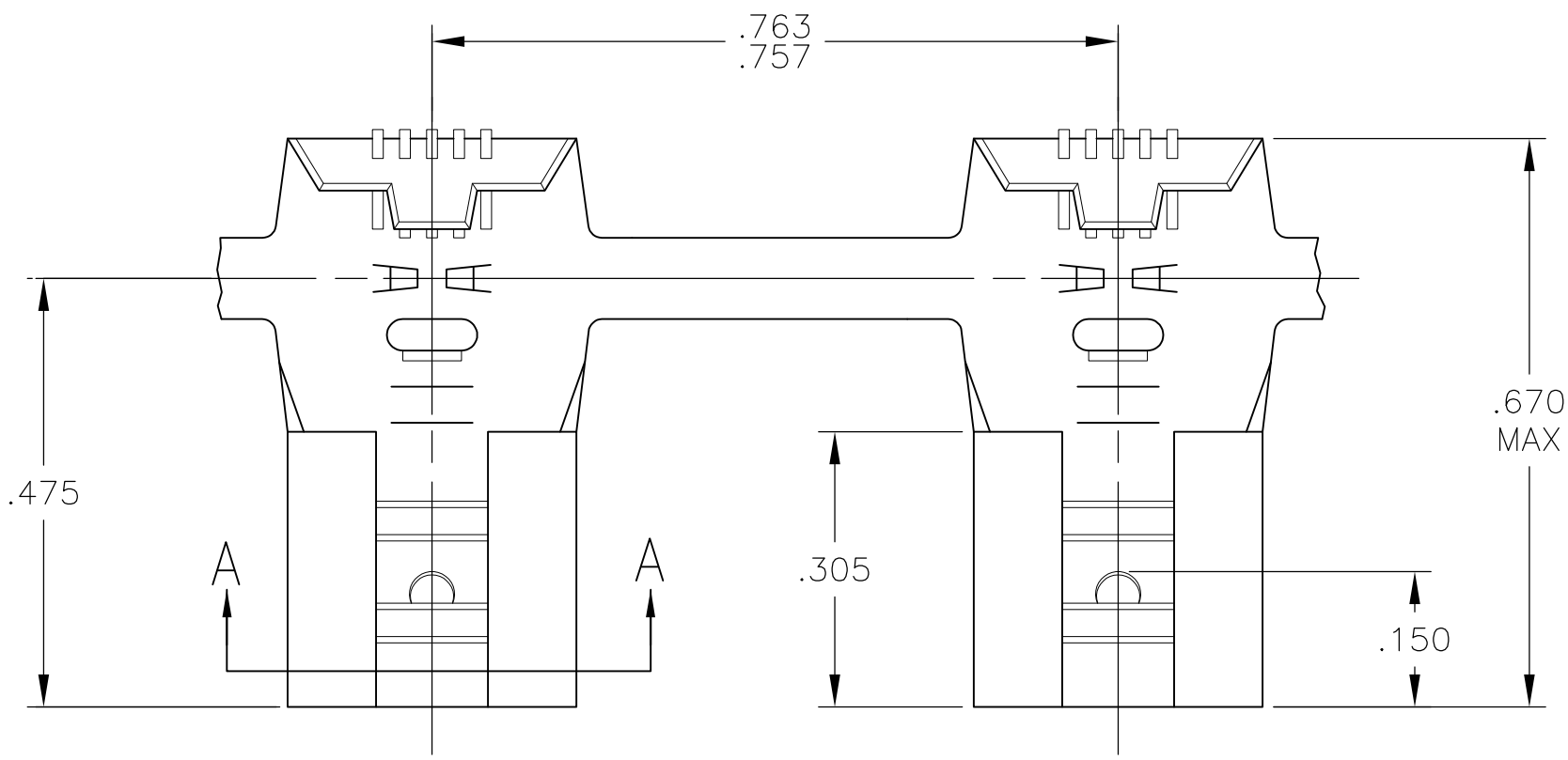
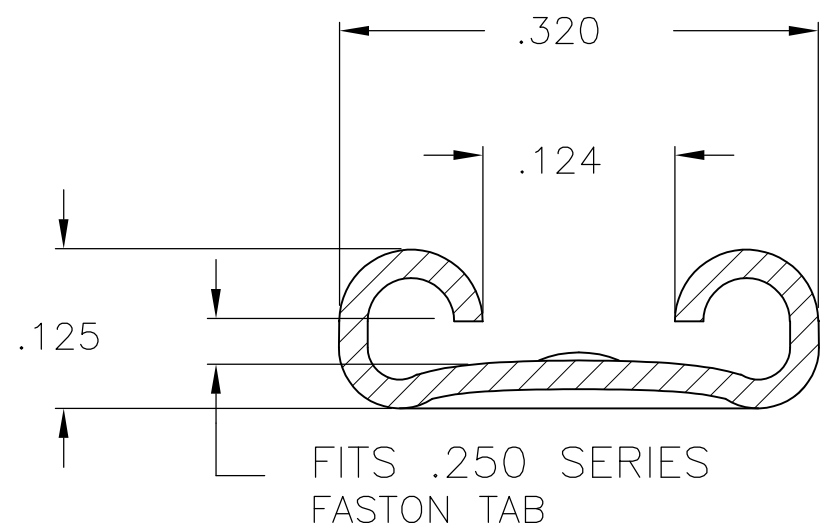


THIS DRAWING IS UNPUBLISHED. RELEASED FOR PUBLICATION  
 © COPYRIGHT - By - ALL RIGHTS RESERVED.

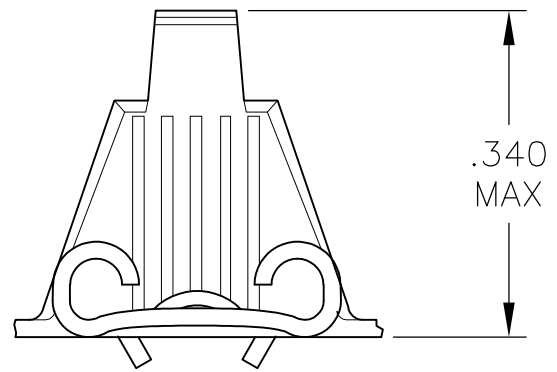
REVISIONS				
P	LTR	DESCRIPTION	DATE	APVD
S1		REVISED PER ECR-15-016360	10MAR2016	NK LP




1 CONTINUOUS STRIP ON REELS.



SECTION A-A



	LEFT HAND	18-12	.032 ±.001	TIN	.018 PHOS. BRONZE	62056-7
	RIGHT HAND	18-12	.032 ±.001	TIN	.018 PHOS. BRONZE	62056-6
	LEFT HAND	18-12	.032 ±.001	---	.018 BRASS	62056-5
	LEFT HAND	18-12	.032 ±.001	TIN	BRASS	62056-4
	RIGHT HAND	18-12	.032 ±.001	TIN	BRASS	62056-3
	LEFT HAND	18-12	.032 ±.001	SILVER	.018 PHOS. BRONZE	62056-2
OBSOLETE	RIGHT HAND	18-12	.032 ±.001	SILVER	.018 PHOS. BRONZE	62056-1
	REELING	WIRE SIZE	TAB THK	FINISH	MATERIAL	PART NO

THIS DRAWING IS A CONTROLLED DOCUMENT.		DWN JR RUTH 2/3/86	 TE Connectivity			
DIMENSIONS: INCHES		CHK M FEHER 2/6/86				
TOLERANCES UNLESS OTHERWISE SPECIFIED:		APVD C MEYERS 2/7/86	NAME .250 SERIES FLAG FASTON RECEPTACLE			
0 PLC ± - 1 PLC ± - 2 PLC ± - 3 PLC ± .015 4 PLC ± - ANGLES ± -		PRODUCT SPEC ---	APPLICATION SPEC ---			
MATERIAL SEE TABLE	FINISH SEE TABLE	WEIGHT	SIZE A3	CAGE CODE 00779	DRAWING NO C-62056	RESTRICTED TO ---
CUSTOMER DRAWING			SCALE NTS	SHEET 1 OF 1	REV S1	