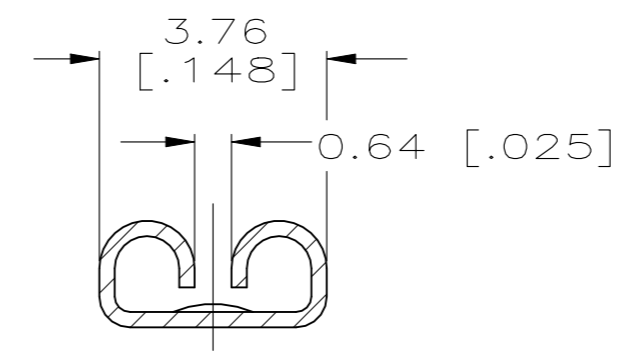
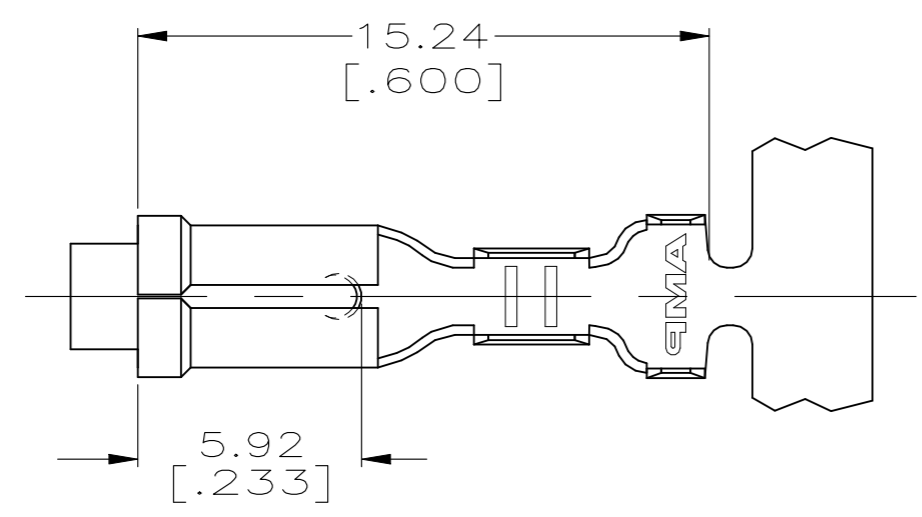
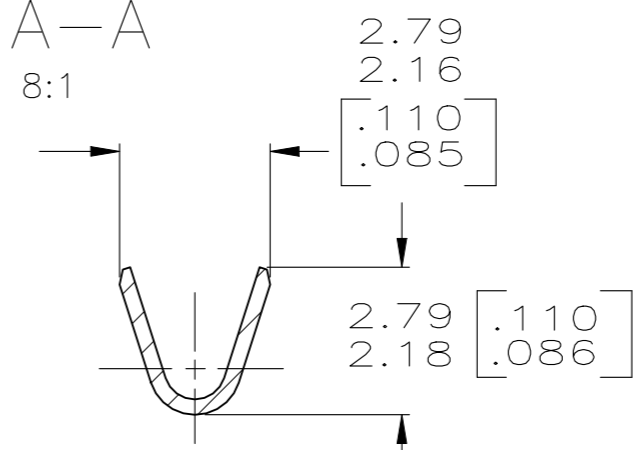


REVISIONS					
P	LTR	DESCRIPTION	DATE	DWN	APVD
	G3	REVISED PER ECR-21-113405	31MAY2022	SS	DH

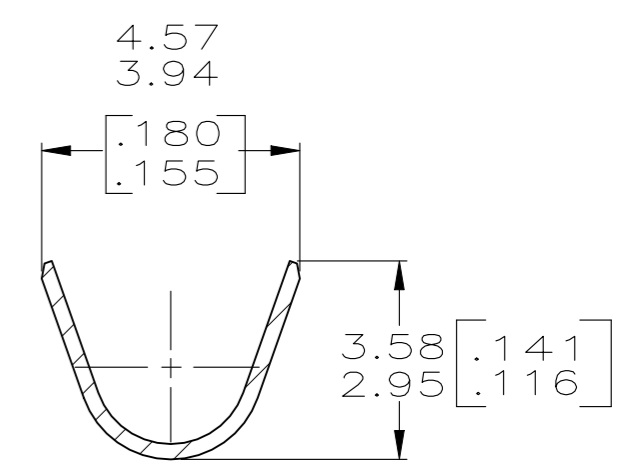
- 1 CONTINUOUS STRIP ON REELS.
- △ 2 FINISH LEAD-FREE, MATTE TIN OVER NICKEL
- 3 THE GAP ON THE ROLLS TO BE IN CONTACT WITH THE TAB FOR THE LENGTH OF THE ROLL BEHIND THE LEAD-IN.



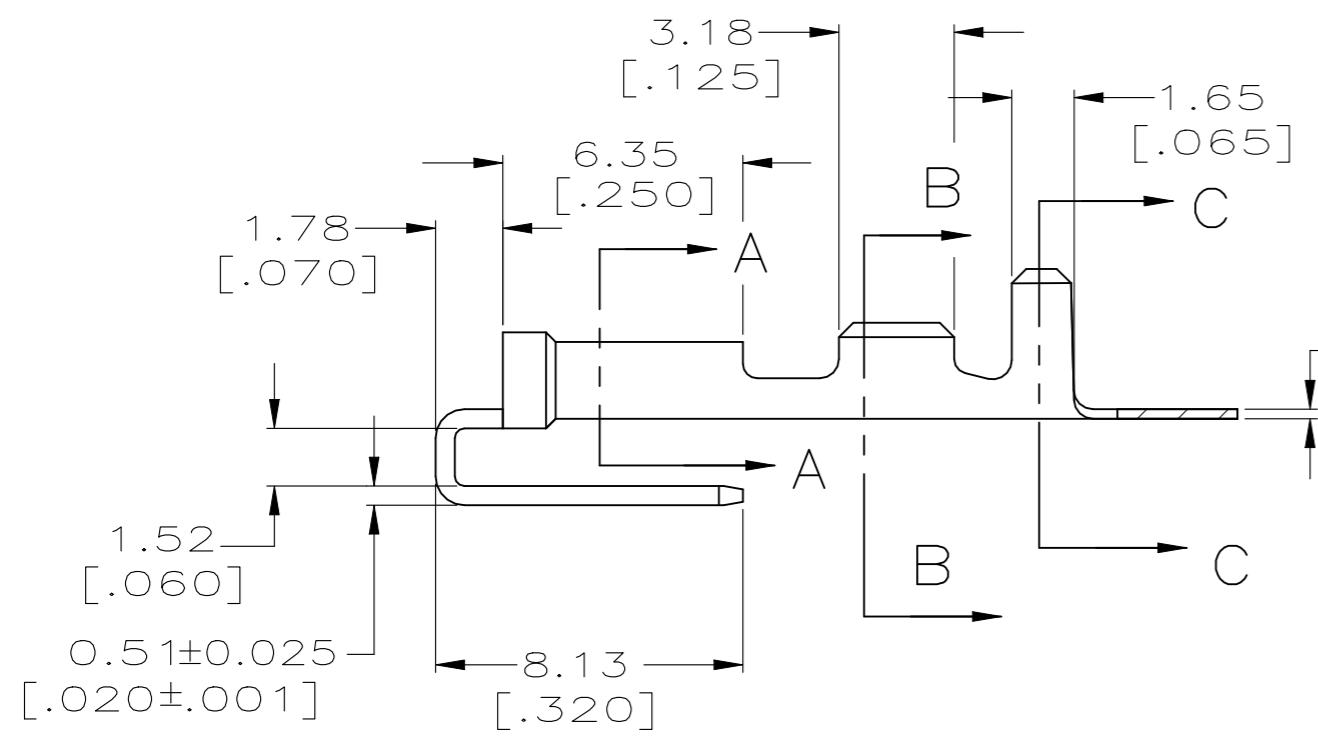
SECTION A-A  
SCALE 8:1



SECTION B-B  
SCALE 8:1



SECTION C-C  
SCALE 8:1



0.25±0.025  
[.010±.001]

1.52-2.54 DIA [.060-.100] DIA	[#22-#18] AWG	0.508±0.025 [.020±.001]	△ 2 TIN	62003-4 62003-2 62003-1
INSULATION RANGE	WIRE SIZE	MATING TAB THICKNESS	FINISH	PART NO

THIS DRAWING IS A CONTROLLED DOCUMENT.		DWN JR RUTH 5/16/95	<b>TE Connectivity</b>		
DIMENSIONS: mm [INCHES]		CHK MS FEHER 5/16/95			
TOLERANCES UNLESS OTHERWISE SPECIFIED: 0 PLC ± - 1 PLC ± - 2 PLC ± 0.38 [.015] 3 PLC ± - 4 PLC ± - ANGLES ± -		APVD P DESANTIS 5/16/95	NAME RECEPTACLE, FASTON, PIGGYBACK, 2.79 [.110] SERIES		
MATERIAL BRASS		FINISH SEE TABLE	PRODUCT SPEC -	APPLICATION SPEC -	RESTRICTED TO -
		WEIGHT 0.000000	SIZE A3	CAGE CODE 00779	DRAWING NO C-62003
CUSTOMER DRAWING			SCALE 5:1	SHEET 1 OF 1	REV G3