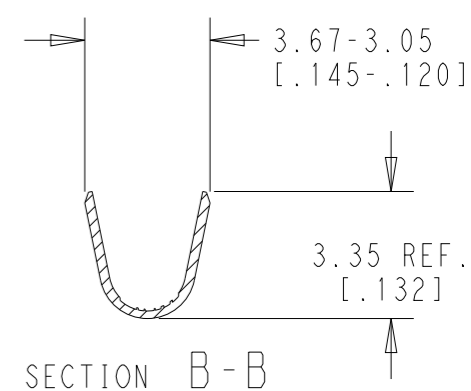
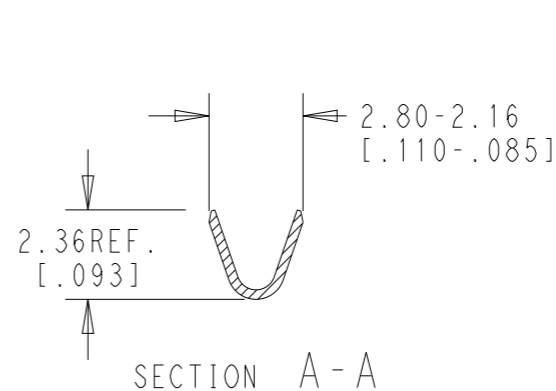
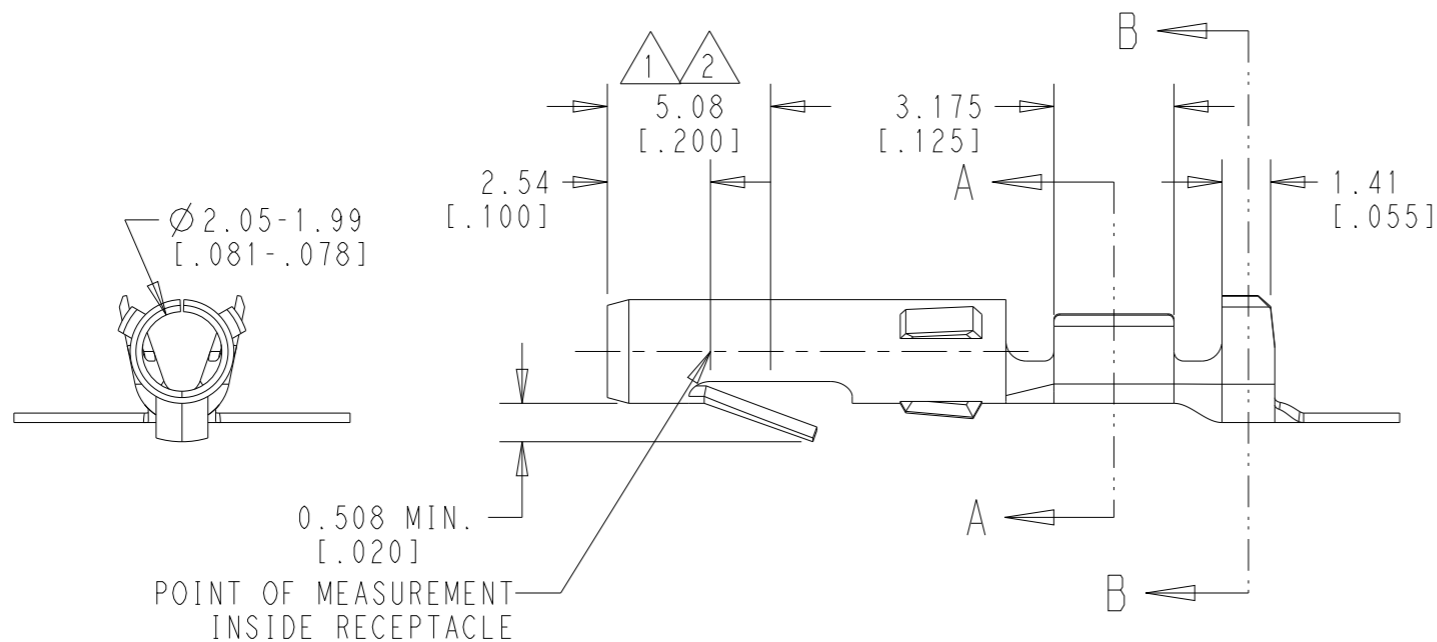
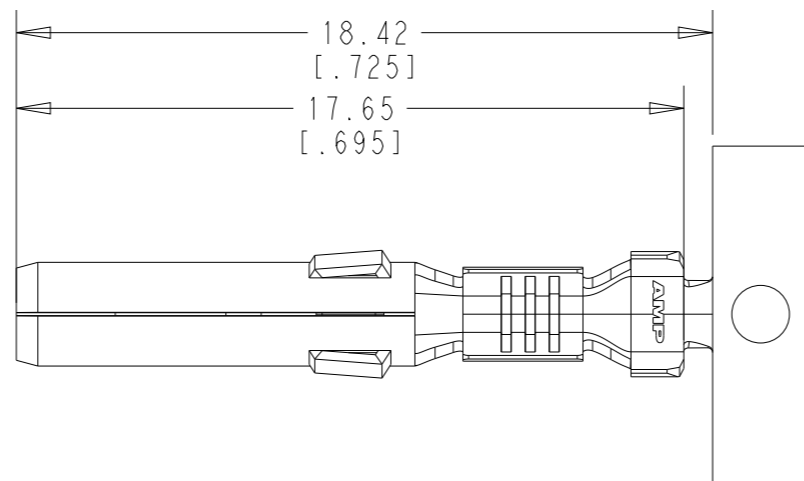
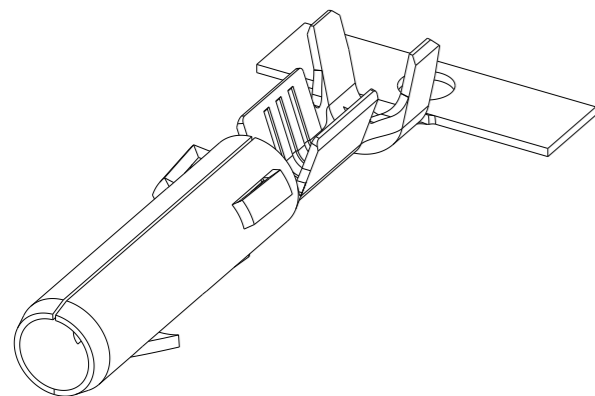


REVISIONS

P	LTR	DESCRIPTION	DATE	DWN	APVD
	AB3	REVISED PER ECR-21-101087	07MAY2021	PJ	VS
	AB4	REVISED PER ECN-23-233438	02OCT2023	WLS	VS



NOTES:

- 1 NICKEL ON ENTIRE TERMINAL WITH .00076[.000030] GOLD OVER INSIDE OF MATING AREA AND WIRE BARREL.
- 2 NICKEL ON ENTIRE TERMINAL WITH .00076[.000030] GOLD OVER INSIDE OF MATING AREA.
- 3. WIRE RANGE: 24 - 18 AWG.
- 4. INSULATION DIA .100 MAX.
- 5. DIMENSIONS IN BRACKETS ARE IN INCHES.

APPLICATOR TYPE	FINISH	MATERIAL	PART NO
MINI	2 GOLD	0.30[.012] BRASS	61314-7
MINI	GOLD 2	0.30[.012] PH BZ	61314-6
MINI	1 GOLD	0.30[.012] BRASS	61314-5
MINI	PRE TIN	0.30[.012] PH BZ	61314-4
MINI	-	0.30[.012] BRASS	61314-2
MINI	PRE TIN	0.30[.012] BRASS	61314-1

THIS DRAWING IS A CONTROLLED DOCUMENT.

DWN 28JUN2012 KIRAN HOLAL
 CHK 28JUN2012 RUTH, JEFFERY
 APVD 28JUN2012 RUTH, JEFFERY

TE Connectivity

NAME SOCKET COMMERCIAL MATE-N-LOK

PRODUCT SPEC 108-1000
 APPLICATION SPEC 114-1012

SIZE A3 CAGE CODE 00779 DRAWING NO C-61314 RESTRICTED TO -

MATERIAL SEE TABLE FINISH SEE TABLE

WEIGHT -

CUSTOMER DRAWING SCALE 5:1 SHEET 1 OF 1 REV AB4