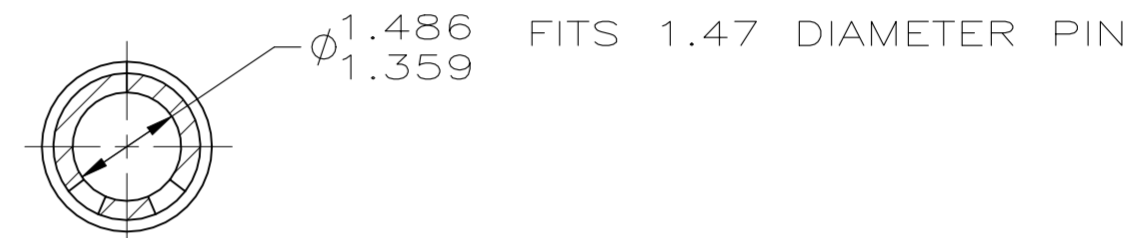
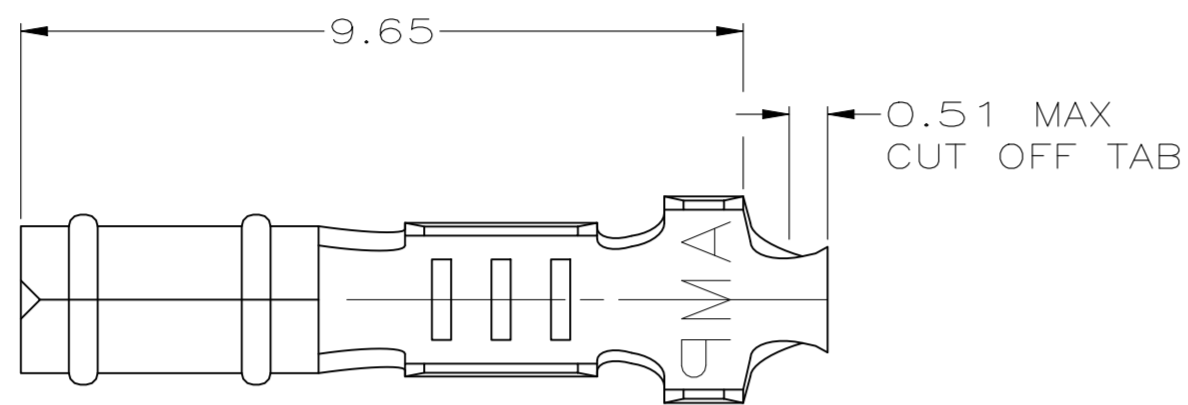


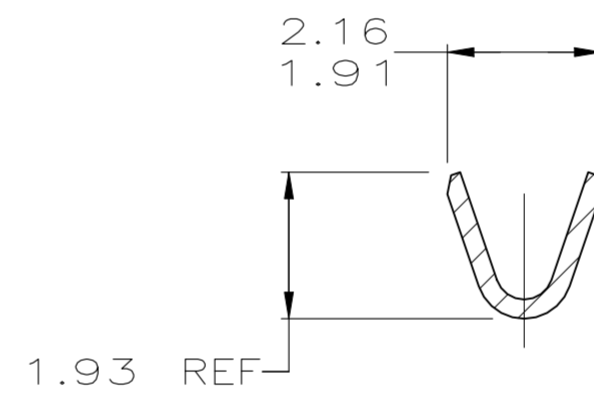
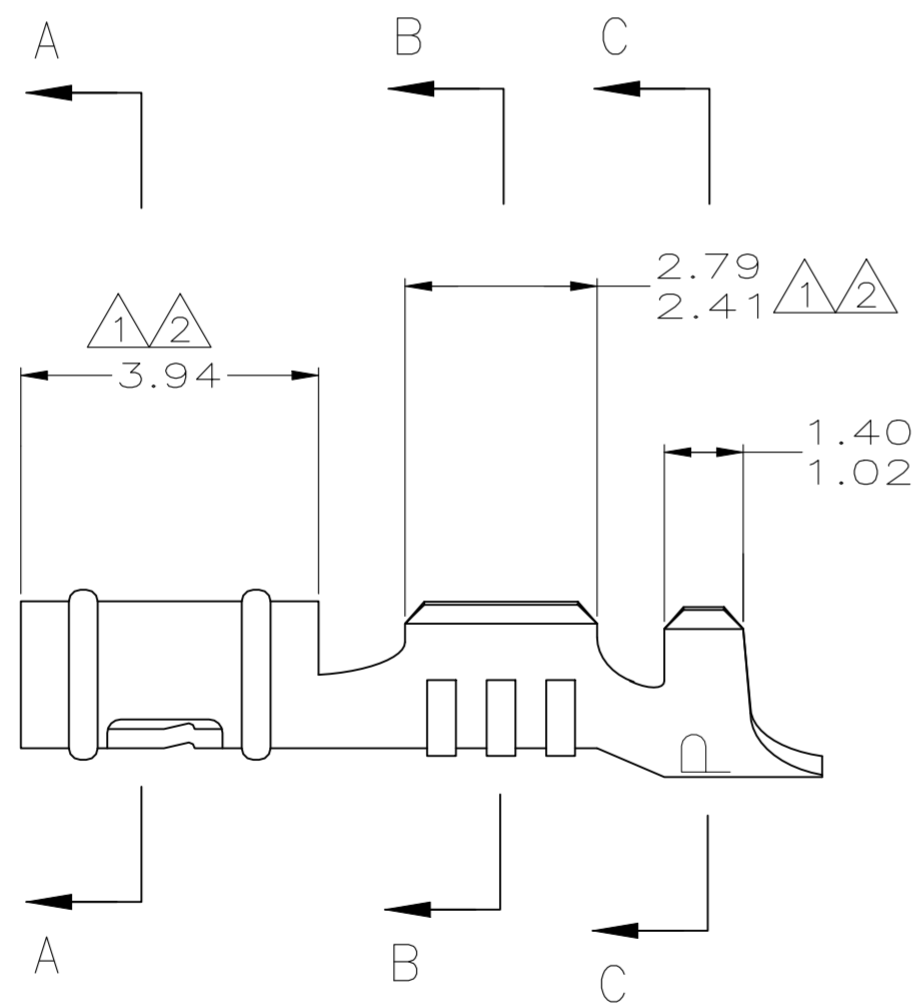
THIS DRAWING IS UNPUBLISHED. RELEASED FOR PUBLICATION
 © COPYRIGHT - By - ALL RIGHTS RESERVED.

LOC		DIST		REVISIONS			
P	LTR	DESCRIPTION		DATE	DWN	APVD	
CM	52	AE2	REVISED PER ECR-23-180920	21MAR24	SK	JP	

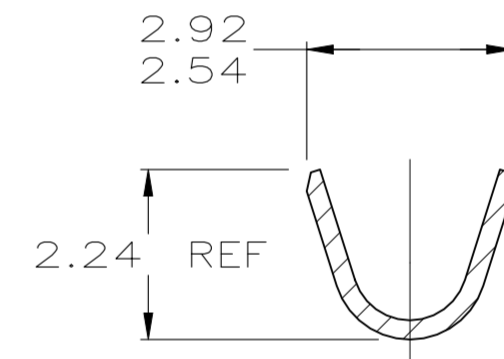
- ① 0.00038 MIN SELECTIVE GOLD PLATING ON INSIDE OF RECEPTACLE AND WIRE BARREL OVER NICKEL OVER ALL UNDERPLATE.
- ② 0.00076 MIN SELECTIVE GOLD PLATING ON INSIDE OF RECEPTACLE AND WIRE BARREL OVER NICKEL OVER ALL UNDERPLATE.
- 3. WIRE RANGE: 0.2 - 0.6 MM² (24 - 20 AWG)
- 4. INSULATION RANGE: 1.14 - 1.78



SECTION A-A



SECTION B-B

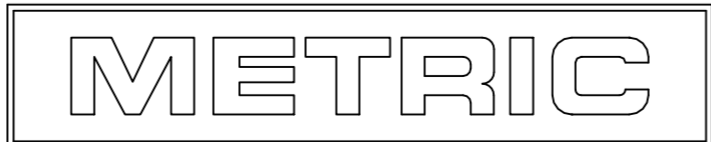


SECTION C-C

SUPERSEDED BY 60789-3	①	0.25 BE CU	-60789-8
	②	0.25 PH BRZ	60789-3
SUPERSEDED BY 60789-1	MATTE TIN	0.25 BE CU	60789-2
	PRE-TIN	0.25 PH BRZ	60789-1
	FINISH	MATERIAL	PART NUMBER

1.02	.040	1.78	.070	2.54	.100	-	-
0.51	.020	1.486	.0585	2.41	.095	-	-
0.25	.010	1.47	.058	2.24	.088	9.65	.380
0.13	.005	1.40	.055	2.16	.085	3.94	.155
0.00076	.000030	1.359	.0535	1.93	.076	2.92	.115
0.00038	.000015	1.14	.045	1.91	.075	2.79	.110
MM	IN	MM	IN	MM	IN	MM	IN

CONVERSION TABLE



THIS DRAWING IS A CONTROLLED DOCUMENT.

DIMENSIONS: mm	TOLERANCES UNLESS OTHERWISE SPECIFIED:	DWN T. BECK 6-11-97	TE Connectivity
	0 PLC ± -	CHK R. SWING 6-11-97	
	1 PLC ± -	APVD A. BEDDICK 6-17-97	
	2 PLC ± 0.13	NAME	
MATERIAL SEE TABLE	FINISH SEE TABLE	PRODUCT SPEC 108-1025	RECEPTACLE .058 DIA
		APPLICATION SPEC 114-1008	24-20 AWG, .045-.070 INSULATION
		WEIGHT -	LOOSE PIECE, P.C. CONTACT
		CUSTOMER DRAWING	RESTRICTED TO -

SCALE 10:1 SHEET 1 of 1 REV AE2