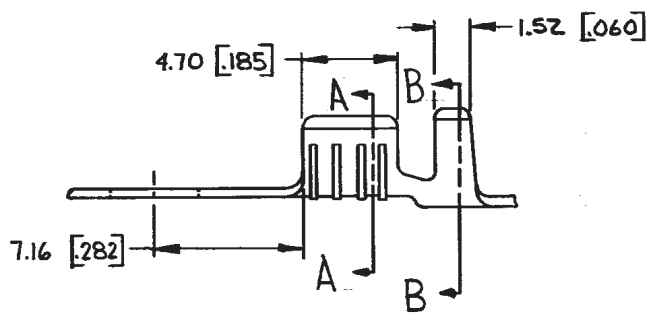
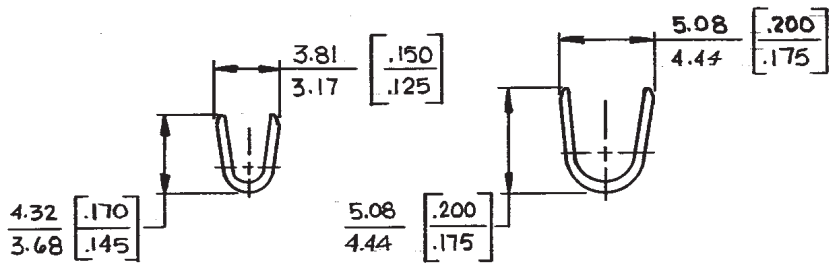
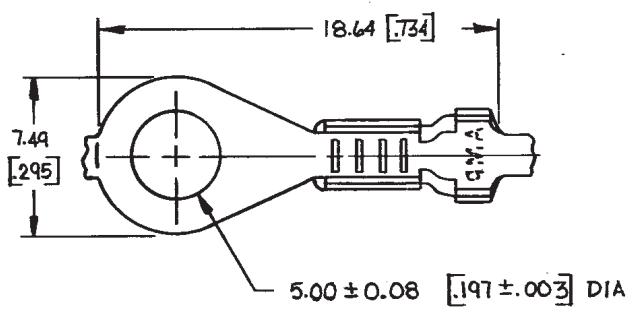


REVISIONS						
P	F	ZONE	LTR	DESCRIPTION	DATE	APPROVED
			F2	REVISED PER ECR-19-017984	27NOV2019	PC/MK



*U'S DOWN	—	0.8-2.0mm ²	2.54 - 3.56	TIN	↑	60772-3
*U'S UP	#10	[18 - 14]	[.100 - .140]	TIN	↑	60772-2
*U'S UP				NONE	0.46 [.018] BRASS	60772-1
REEL DIRECTION REMARKS	STUD SIZE	WIRE RANGE	INSULATION RANGE	FINISH	MATERIAL	PART NO

UNLESS OTHERWISE SPECIFIED DIMENSIONS ARE IN MILLIMETERS TOLERANCES ON: DECIMALS ±0.38[.015] ANGLES ± 1° 0'	CONTRACT NO	
	DR	DADim 6-26-78
	CHK	L. Hoffmann 7-25-78
	APPD	R.P. Frantz 3-8-78
	APPD	C. J. Licks 8-10-78
MATERIAL	SEE TABLE	
FINISH	SEE TABLE	
OTHER APPD		

△ 60772-4		
60772-3		
60772-2		
60772-1		
TE TE Connectivity		
RING		
SIZE	CODE IDENT NO	DRAWING NO
B	00779	60772
SCALE	SHEET	

- 1. CONTINUOUS STRIP ON REELS
- 2. DIMENSIONS IN BRACKETS ARE IN INCHES

△ OBSOLETE PARTS

METRIC