

THIS DRAWING IS UNPUBLISHED.

RELEASED FOR PUBLICATION

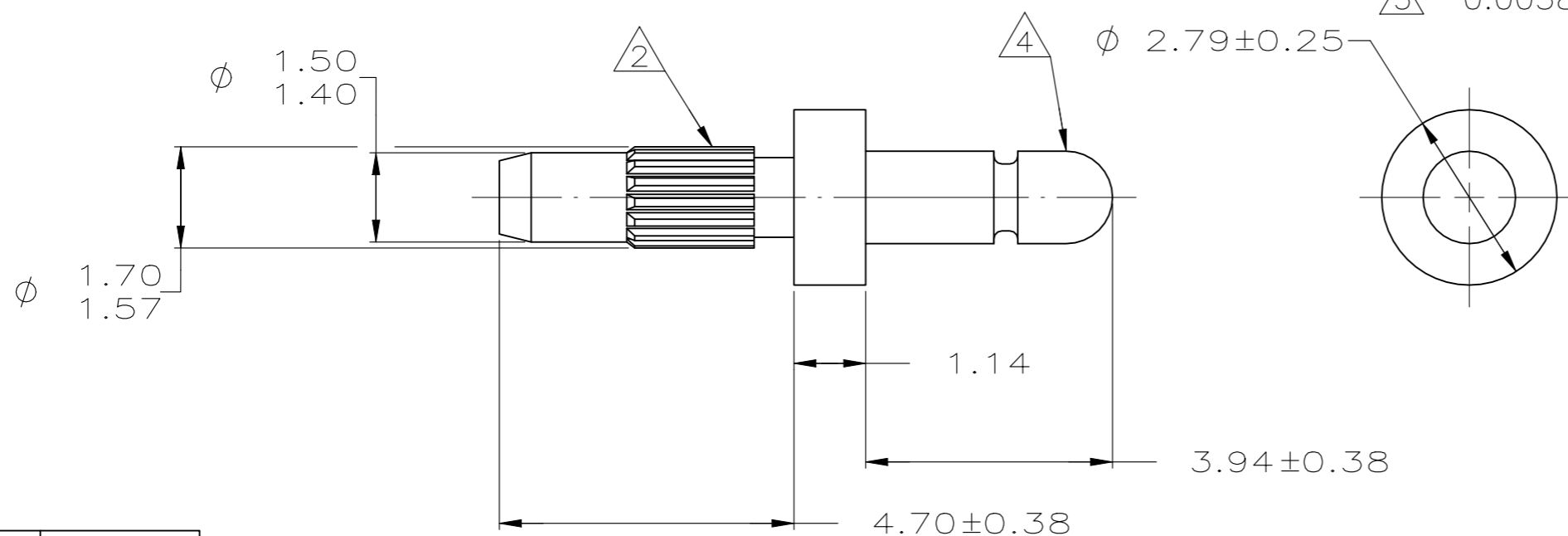
© COPYRIGHT - TE Connectivity

ALL RIGHTS RESERVED.

REVISIONS

P	LTR	DESCRIPTION	DATE	DWN	APVD
	H4	REVISED PER ECR-23-188111	17OCT2023	SK	DZ

- ① 0.00381 MIN BRIGHT TIN LEAD PLATING ALL OVER.
- ② REED STRAIGHT TOOTH KNURL CS 80-80 T.P.I., 125 TEETH, 70° INCLUDED ANGLE. FITS 1.50 - 1.57 DIAMETER HOLE IN A 3.18 PRINTED CIRCUIT BOARD.
- 3. PARTS TO COMPLY WITH AMP SOLDERABILITY SPECIFICATION 109-11-3.
- ④ MATES WITH AMP PARTS 60354 AND 60598.
- ⑤ 0.00381 MIN BRIGHT TIN PLATING ALL OVER.



mm	in
4.70	.185
3.94	.155
3.18	.125
2.79	.110
1.70	.067
1.57	.062
1.50	.059
1.47	.058
1.40	.055
1.14	.045
0.38	.015
0.25	.010
0.13	.005
0.00381	0.000150
MM	IN

CONVERSION TABLE

METRIC

OBSOLETE	⑤	3-60753-2
SUPERSEDED BY 3-60753-2	⑤	60753-2
	FINISH	PART NUMBER

THIS DRAWING IS A CONTROLLED DOCUMENT.		DWN K. WHITAKER 12JUL2006	STE TE Connectivity		
DIMENSIONS: mm		CHK D. BOSSI 12JUL2006			
TOLERANCES UNLESS OTHERWISE SPECIFIED:		APVD D. BOSSI 12JUL2006	NAME PIN, .058 DIAMETER, BRASS, KNURLED, P.C. CONTACT		
0 PLC ± -		PRODUCT SPEC 108-1025	APPLICATION SPEC		
1 PLC ± -		114-1008	SIZE	CAGE CODE	DRAWING NO
2 PLC ± 0.13		WEIGHT 0.000000	A3	00779	C-60753
3 PLC ± -		CUSTOMER DRAWING	SCALE 10:1		SHEET 1 OF 1
4 PLC ± -			REV H4		RESTRICTED TO -
ANGLES ± -					
FINISH SEE TABLE					
MATERIAL BRASS					