

THIS DRAWING IS UNPUBLISHED.

RELEASED FOR PUBLICATION

ALL RIGHTS RESERVED.

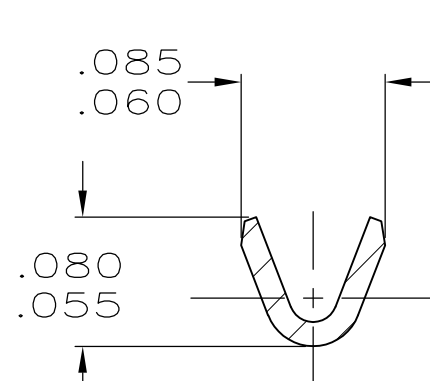
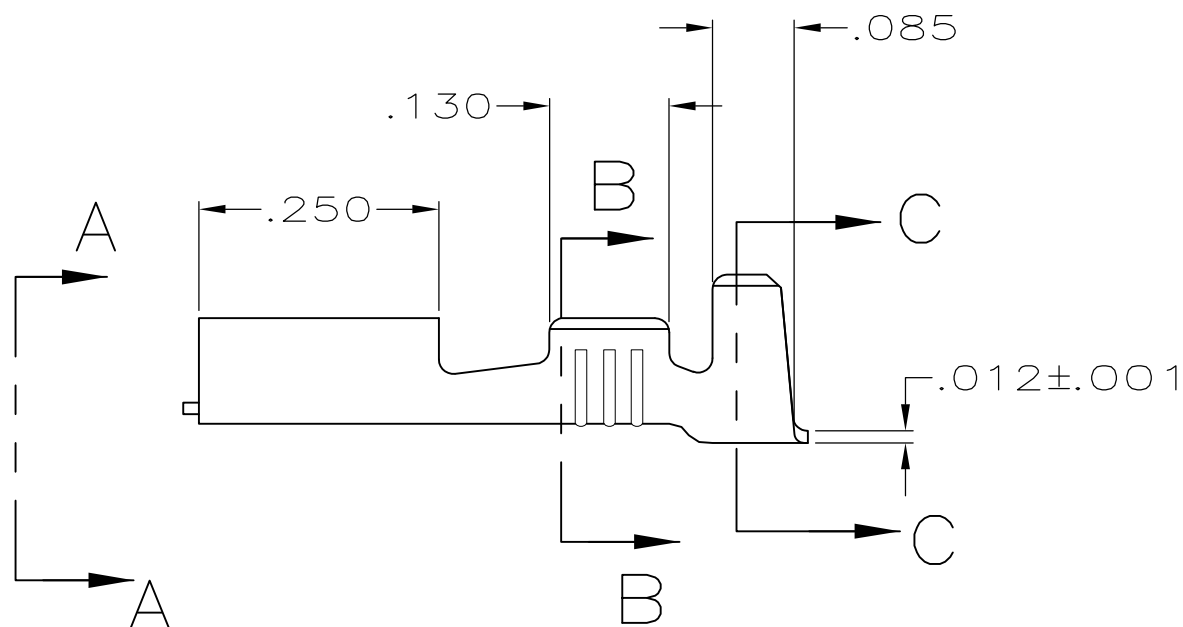
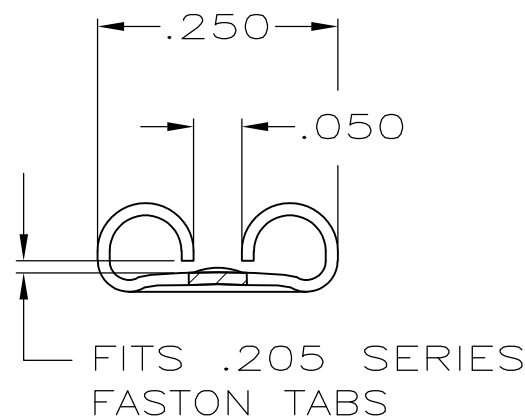
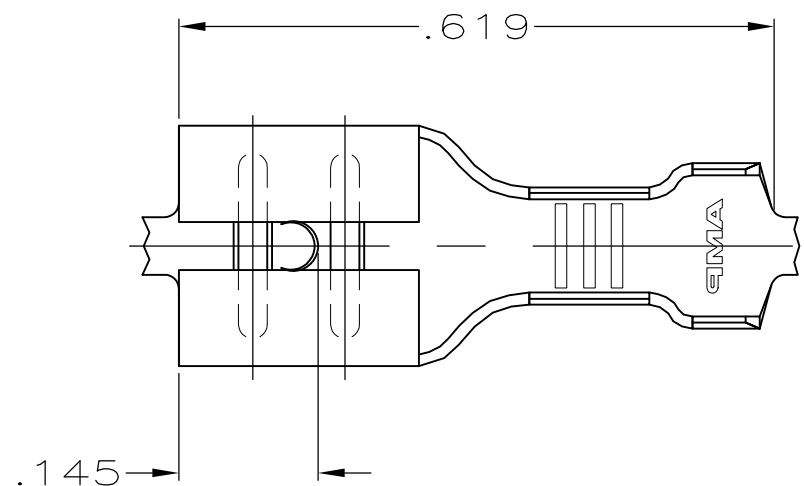
© COPYRIGHT - By -

LOC AF DIST 50

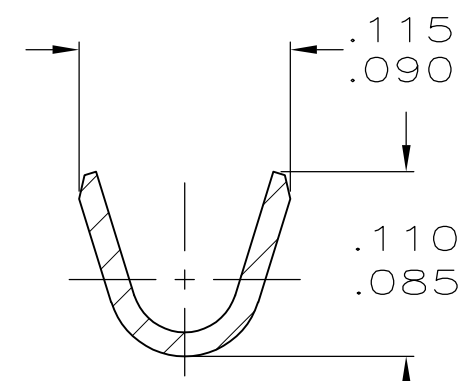
REVISIONS

P	LTR	DESCRIPTION	DATE	DWN	APVD
	F	REVISED PER ECR-12-013445	09NOV12	KH	PD

- 1 CONTINUOUS STRIP ON REELS.
- 2 FEED TO BE  $.689 \pm .005$



SECTION B-B  
SCALE 10:1



SECTION C-C  
SCALE 10:1

OBSOLETE

.050-.070 DIA

26-22 AWG

-

TIN

.020

~~60674-2~~

60674-1

INSULATION RANGE

WIRE SIZE

FINISH

MATING TAB THK ± .001

PART NUMBER

THIS DRAWING IS A CONTROLLED DOCUMENT.

DWN JR RUTH 7/8/91

CHK MS FEHER 7/8/91

APVD - 7/8/91 C MEYERS

PRODUCT SPEC 7/8/91 D REINER

APPLICATION SPEC -

WEIGHT -

CUSTOMER DRAWING



RECEPTACLE, FASTON,  
.205 SERIES

SIZE	CAGE CODE	DRAWING NO	RESTRICTED TO
A3	00779	C-60674	-

DIMENSIONS:	TOLERANCES UNLESS OTHERWISE SPECIFIED:
INCHES	
0 PLC	± -
1 PLC	± -
2 PLC	± .010
3 PLC	± -
4 PLC	± -
ANGLES	± -

MATERIAL BRASS

FINISH SEE TABLE

SCALE	SHEET	REV
5:1	1 OF 1	F