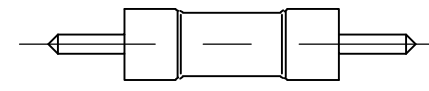


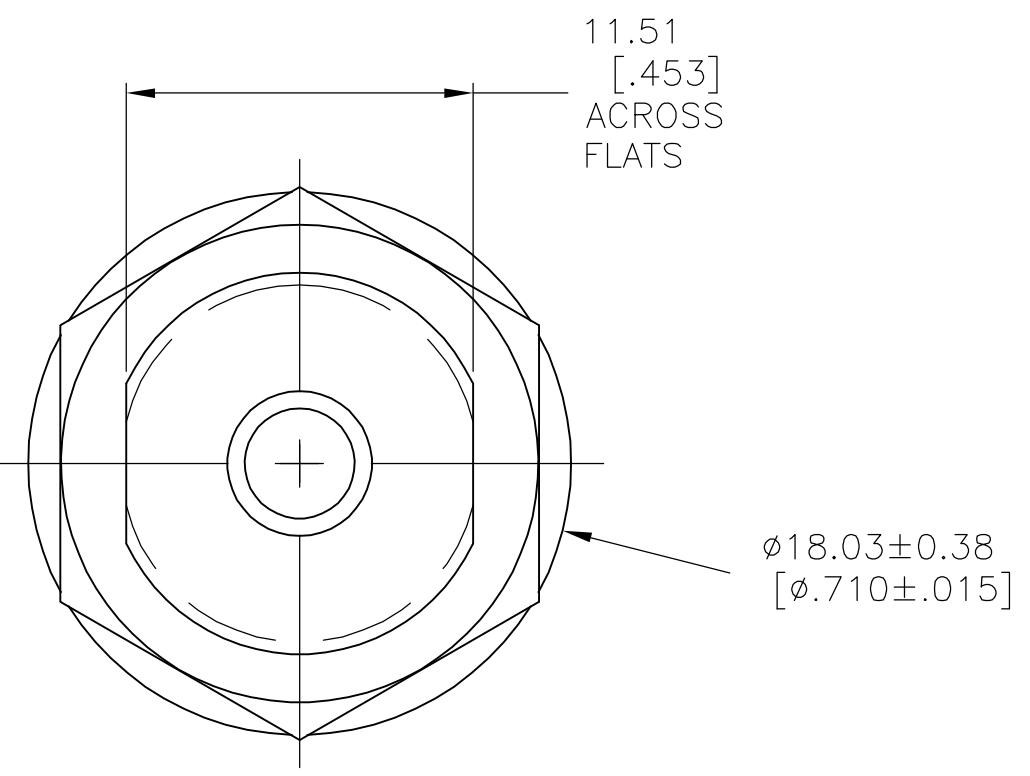
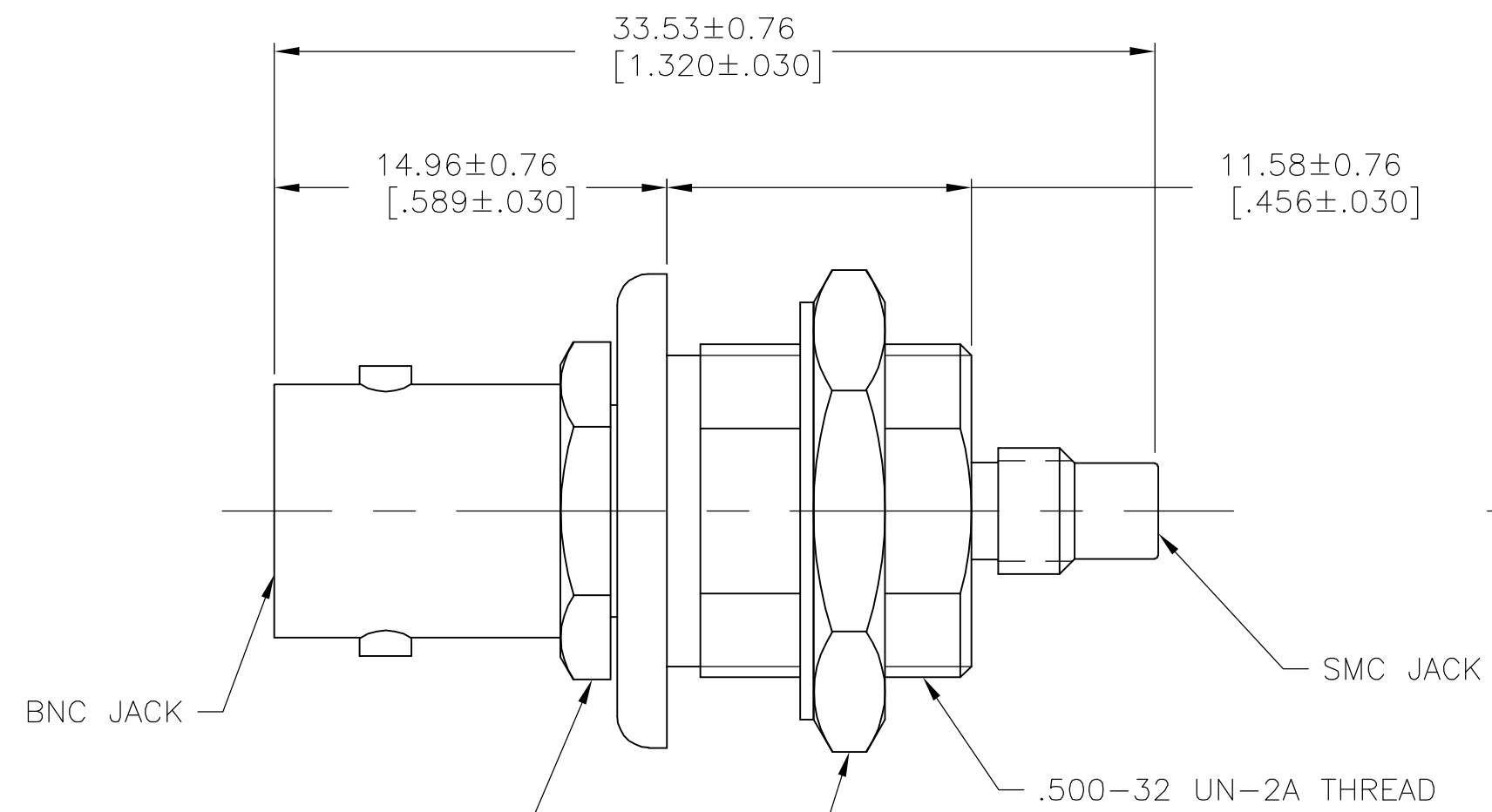
THIS DRAWING IS UNPUBLISHED.      RELEASED FOR PUBLICATION      - , - .  
 © COPYRIGHT - BY TYCO ELECTRONICS CORPORATION.      ALL RIGHTS RESERVED.

LOC	DIST	REVISIONS					
		P	LTR	DESCRIPTION	DATE	DWN	APVD
-	-		A	RELEASED.	30DEC2005	JGH	JGH



FUSE DETAIL  
9-1406609-0

- 1 MATERIALS:  
 HOUSING, MOUNTING NUT: BRASS PER ASTM B 16  
 DIELECTRIC: PTFE PER ASTM D 1710  
 CENTER CONTACT: BERYLLIUM COPPER PER ASTM B 196  
 LOCKWASHER: PHOSPHOR BRONZE PER ASTM B 103
- 2 FINISHES:  
 HOUSING, MOUNTING NUT, LOCKWASHER: NICKEL PLATE PER QQ-N-290  
 CENTER CONTACT: GOLD PLATE PER ASTM B 488



6058120-1  
 PART NUMBER

THIS DRAWING IS A CONTROLLED DOCUMENT.		DWN J. HAVENER 30DEC2005	Tyco Electronics Corporation Harrisburg, PA 17105-3608	
DIMENSIONS: mm [INCHES]		CHK J. HAVENER 30DEC2005		
TOLERANCES UNLESS OTHERWISE SPECIFIED:		APVD J. HAVENER 30DEC2005	NAME FUSE HOLDER ADAPTER BNC JACK TO SMC JACK BULKHEAD (3284-3201-10)	
0 PLC ± - 1 PLC ± - 2 PLC ± 0.13 [.005] 3 PLC ± - 4 PLC ± - ANGLES ± 1°		PRODUCT SPEC -	RESTRICTED TO -	
MATERIAL		APPLICATION SPEC -	SIZE A3	CAGE CODE 00779
FINISH		WEIGHT -	DRAWING NO G-6058120	SCALE 4:1
1		CUSTOMER DRAWING		SHEET 1 of 1
2		SCALE 4:1		REV A