

4

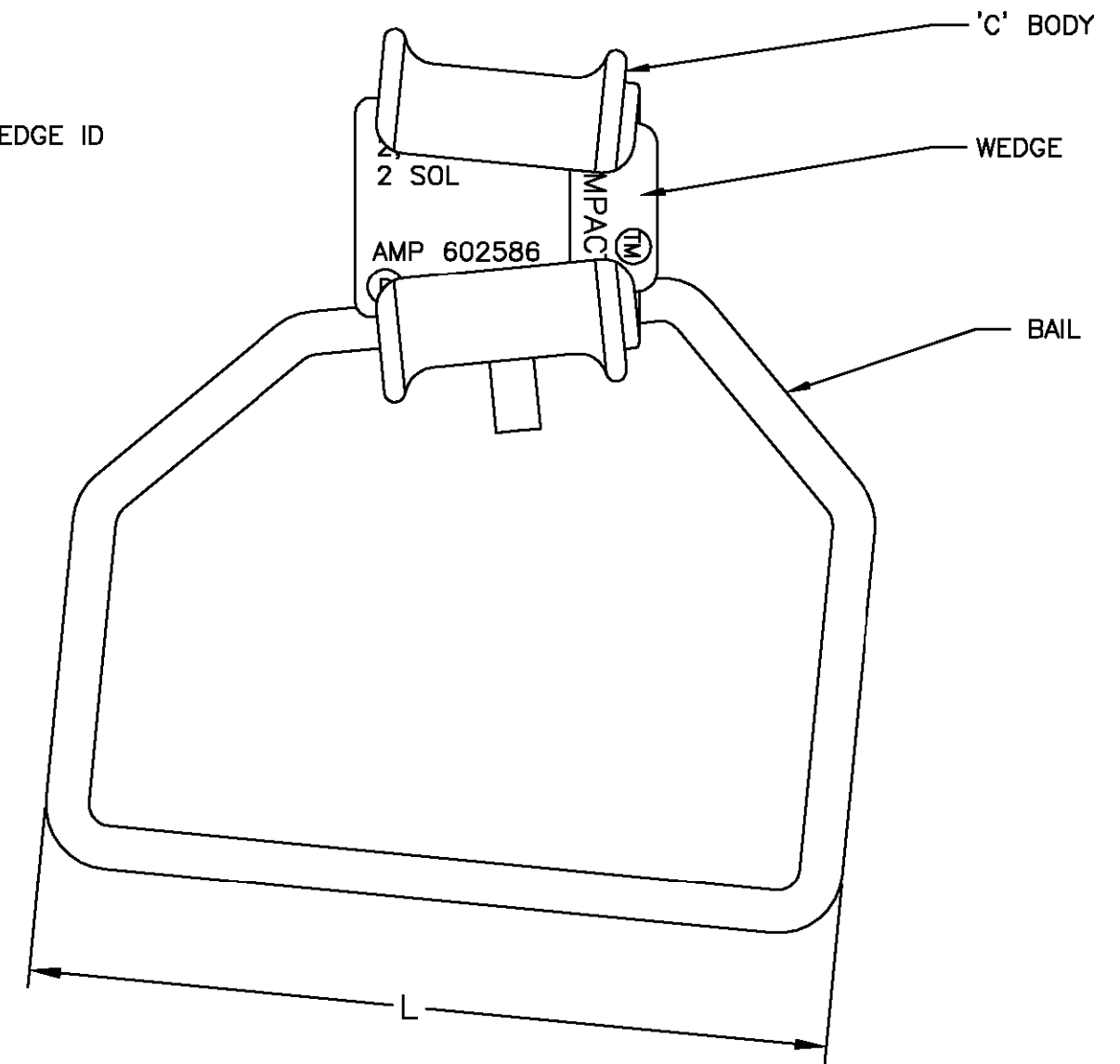
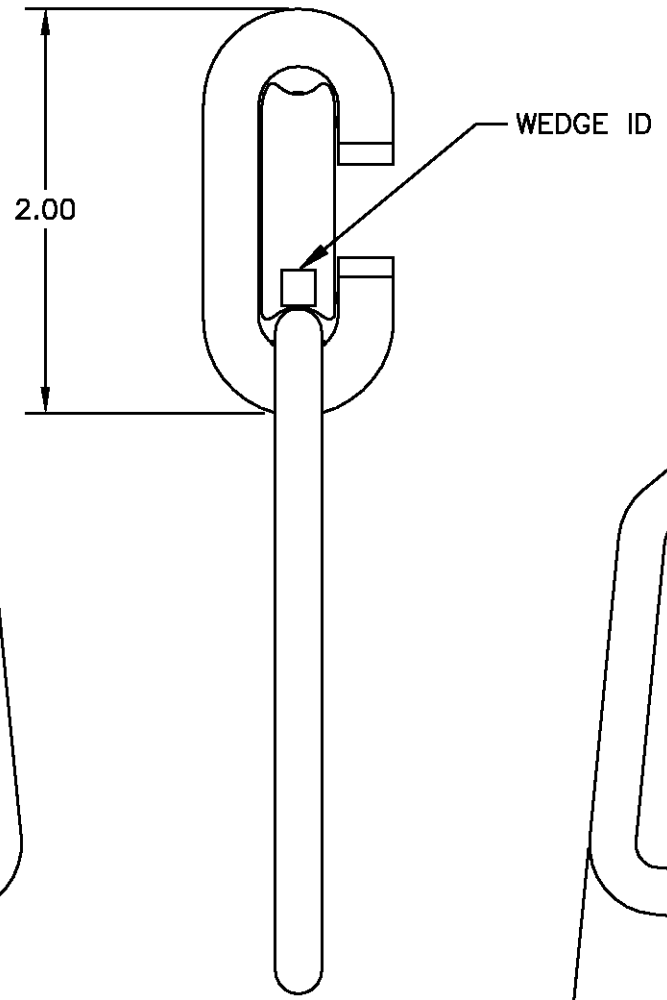
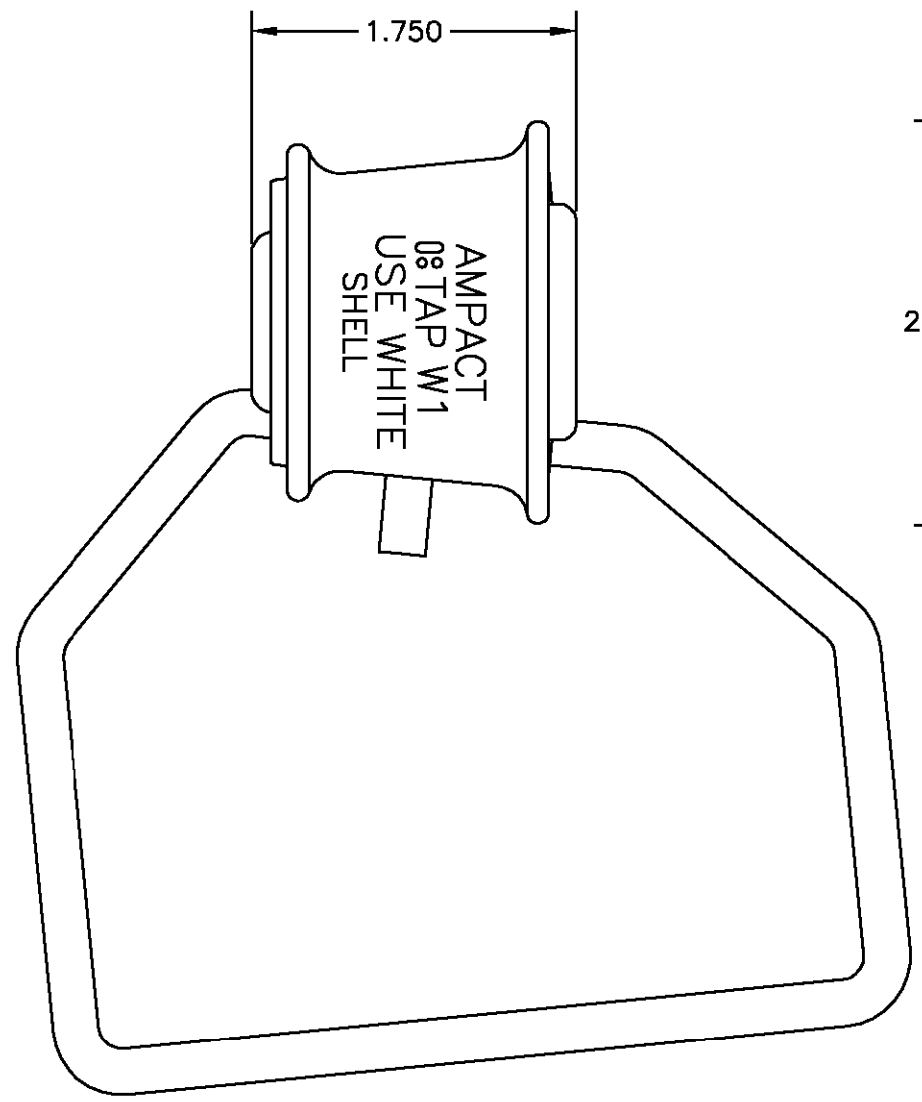
3

2

1

THIS DRAWING IS UNPUBLISHED. RELEASED FOR PUBLICATION .19  
 © COPYRIGHT 19 BY AMP INCORPORATED. ALL RIGHTS RESERVED.

| LOC | DIST | REVISIONS   |                          |         |       |  |
|-----|------|-------------|--------------------------|---------|-------|--|
| P   | LTR  | DESCRIPTION | DATE                     | DWN     | APVD  |  |
| GA  | 1    | A           | REVISED PER LC20-0035-01 | 29JUN01 | MN BJ |  |



|       |          |                     |                        |              |                 |          |
|-------|----------|---------------------|------------------------|--------------|-----------------|----------|
| 9.624 | Q        | 25 SQ. MM AI        | 1/0, TIN-PLATED COPPER | ALUM. ALLOY  | ALUM. ALLOY     | 602586-1 |
| 4.634 | P        | #2 & #4 STR, #2 SOL | #2, TIN-PLATED COPPER  | ALUM. ALLOY  | ALUM. ALLOY     | 602586   |
| L     | WEDGE ID | CONDUCTOR           | BAIL QTY: 1            | WEDGE QTY: 1 | 'C' BODY QTY: 1 | PART NO. |

- DIMENSIONS ARE FOR REFERENCE ONLY
- INHIBITOR IS APPLIED AT FACTORY TO GROOVES OF 'C' BODY AND WEDGE
- WIRE SIZES & MARKINGS ON WEDGE MAY NOT BE AS SHOWN, SEE TABLE.
- USE WHITE SHELLS PART NO. 69338-5

|  |  |                           |   |                    |                        |
|--|--|---------------------------|---|--------------------|------------------------|
| THIS DRAWING IS A CONTROLLED DOCUMENT. |  | DWN<br>M CHOW<br>25FEB98  | Tyco Electronics<br>Markham, Ontario          |                    |                        |
| DIMENSIONS: INCHES                     |  | CHK<br>H HENRY<br>17MAR98 |   |                    |                        |
| TOLERANCES UNLESS OTHERWISE SPECIFIED: |  | APVD<br>P CHAN<br>05MAR98 | NAME<br>STIRRUP, TYPE II, WHITE CODED, AMPACT |                    |                        |
|  |  | PRODUCT SPEC              | RESTRICTED TO                                 |                    |                        |
| MATERIAL                               |  | APPLICATION SPEC          | SIZE<br>A3                                    | CAGE CODE<br>00779 | DRAWING NO<br>C=602586 |
| FINISH                                 |  | WEIGHT                    | CUSTOMER DRAWING                              |                    |                        |
|  |  | CUSTOMER DRAWING          | SCALE<br>1:1                                  | SHEET<br>1 OF 1    | REV<br>A               |