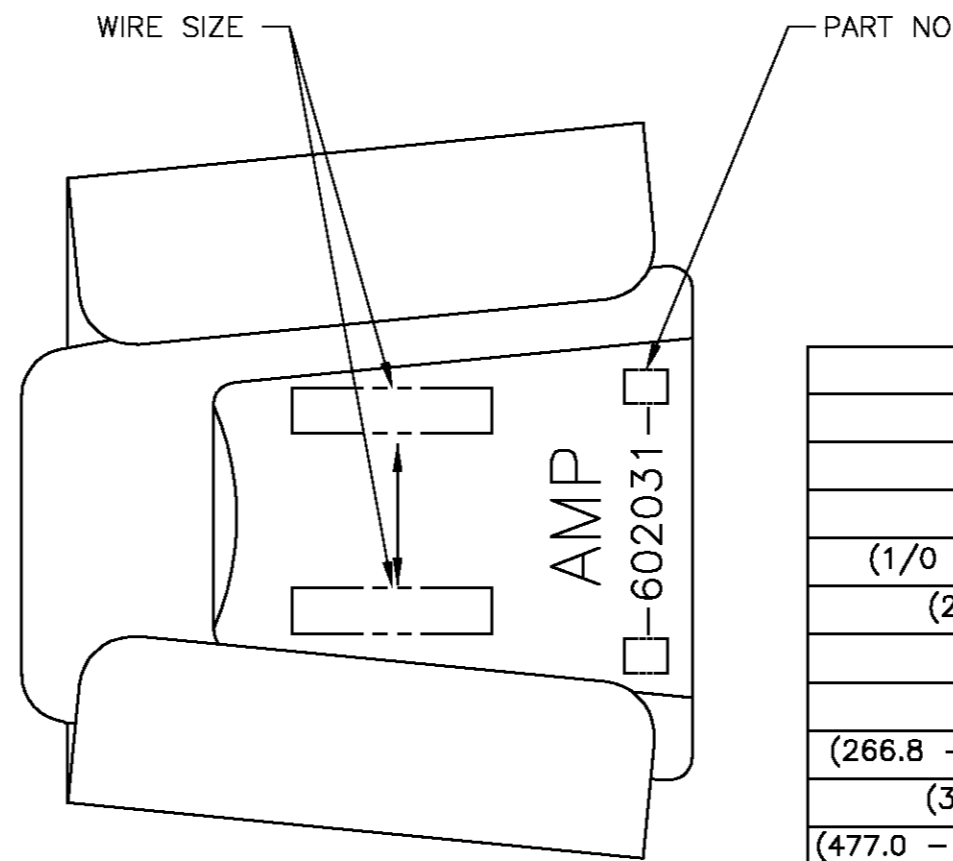
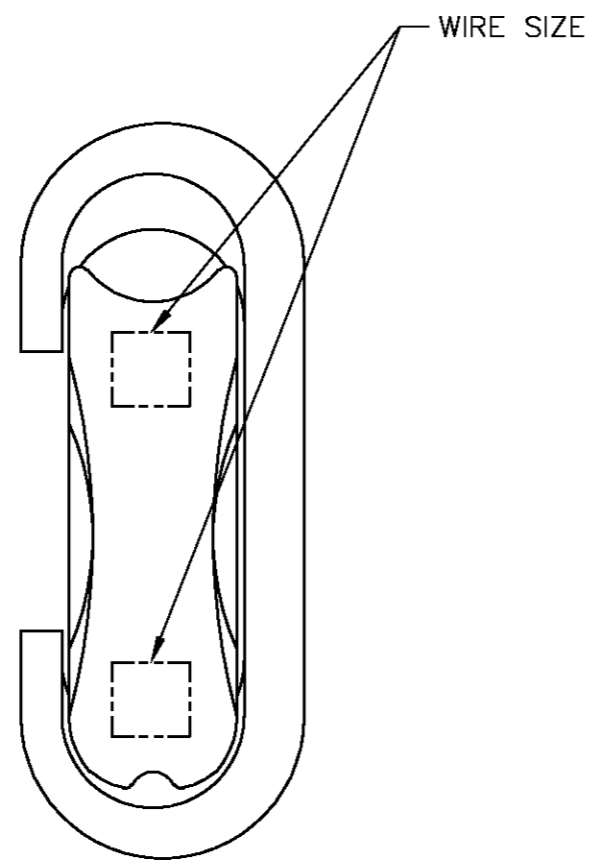
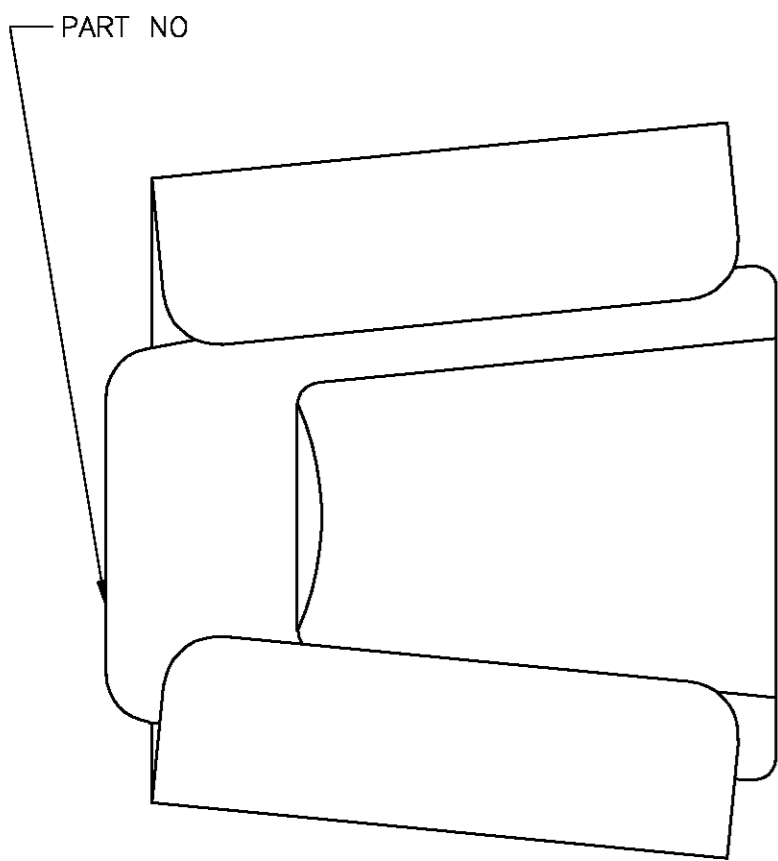
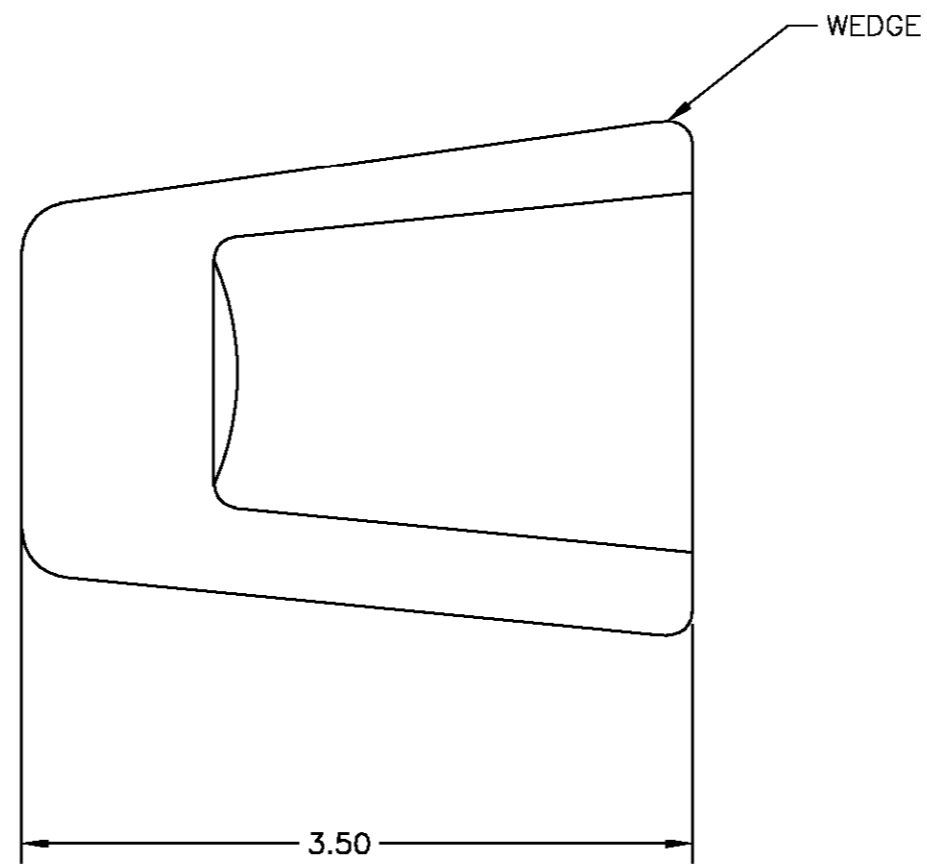
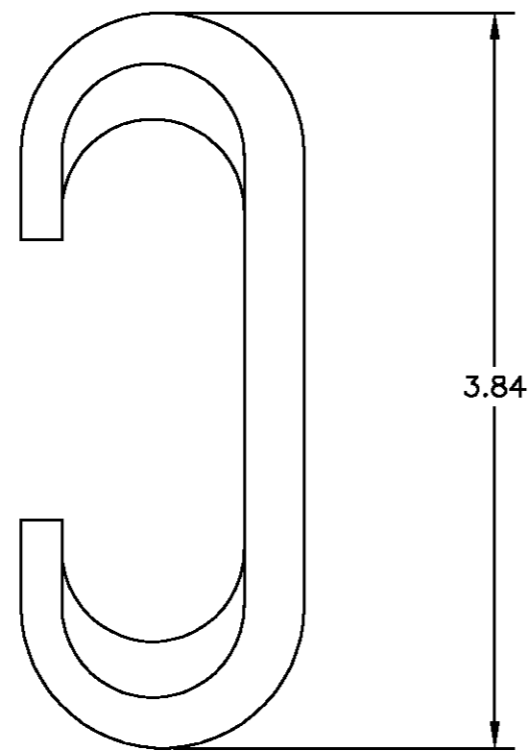
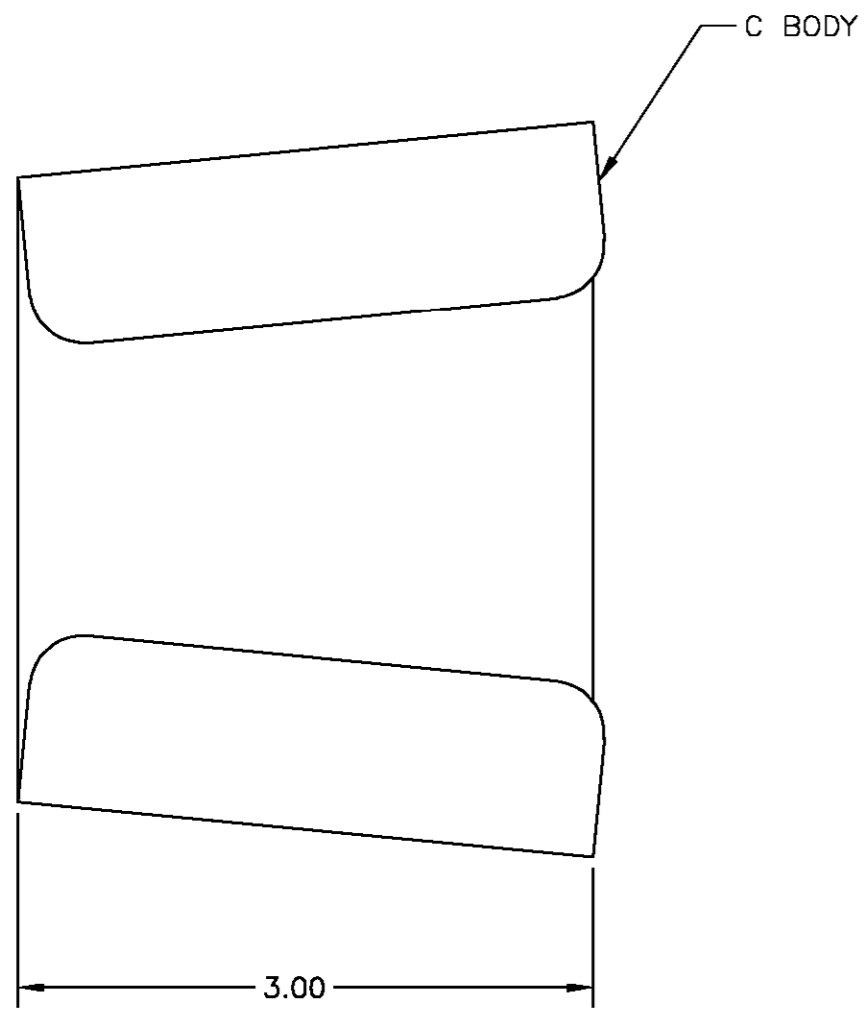


THIS DRAWING IS UNPUBLISHED. RELEASED FOR PUBLICATION
 © COPYRIGHT BY TYCO ELECTRONICS CORPORATION. ALL RIGHTS RESERVED.

LOC	DIST	REVISIONS			
P	LTR	DESCRIPTION	DATE	DWN	APVD
GA	1				
	D	PER LC20-0113-07 / ECO-07-008478	12APR07	DM	BJ

- DIMENSIONS ARE FOR REFERENCE ONLY
- INHIBITOR IS APPLIED AT FACTORY TO GROOVES OF 'C' BODY AND WEDGE
- WIRE SIZES ARE MARKED ON WEDGE
- P/N 5-602031-2 IS INSTALLED WITH BATTERY TOOL ONLY. ALL OTHER P/N's ARE INSTALLED WITH AMP TOOL PART NO 69611. (USE YELLOW SHELL PART NO. 69338-4).



ALTERNATE MARKING

556.5 - 556.5	ALUM ALLOY	ALUM ALLOY	5-602031-2
(#6 - 6/1) - (556.5 26/7)			2-602031-2
(#4 - 6/1 & 7/1) - (556.5 26/7)			2-602031-1
(#2 - 6/1 & 7/1) - (556.5 26/7)			2-602031-0
(1/0 - 2 - 6/1 & 7/1) - (477.0 - 556.5 26/7)			1-602031-9
(2/0 - 1 - 6/1) - (477.0 - 556.5 26/7)			1-602031-8
(3/0 - 1/0 6/1) - (477.0 - 556.5 26/7)			1-602031-7
(4/0 - 2/0 6/1) - (477.0 - 556.5 26/7)			1-602031-6
(266.8 - 4/0 & 3/0 6/1) - (477.0 - 556.5 26/7)			1-602031-5
(336.4 - 266.8 26/7) - (477.0 - 556.5 26/7)			1-602031-4
(477.0 - 336.4 & 397.5 26/7) - (477.0 - 556.5 26/7)			1-602031-3
556.5 - 556.5			1-602031-2
#6 - 477.0			1-602031-0
#4 - 477.0			602031-9
#2 - 477.0	602031-8		
WIRE SIZE	WEDGE QTY. 1	C BODY QTY. 1	PART NO

THIS DRAWING IS A CONTROLLED DOCUMENT.		DWN M CHOW 27 MAY 98	Tyco Electronics Corporation Markham, ON L3R 1E1	
DIMENSIONS: INCHES		CHK J HANNA 03 JUN 98	AMPACT TAP, 477.0 - 556.5 SERIES, YELLOW CODED	
TOLERANCES UNLESS OTHERWISE SPECIFIED:		APVD B JOHNSON 03 JUN 98	SIZE A2	CAGE CODE 00779
0 PLC ±		PRODUCT SPEC	DRAWING NO C-602031	RESTRICTED TO
1 PLC ±		APPLICATION SPEC	SCALE NTS	SHEET 1 OF 1
2 PLC ±		WEIGHT	REV D	
3 PLC ±		CUSTOMER DRAWING		
4 PLC ±				
ANGLES ±				
FINISH				
MATERIAL SEE CHART				